

O.D.O.T. DISTRICT 2 SURVEY OFFICE (USE ONLY)

PERSONNEL _____

REFERENCE NO. 3

SHEET 8 OF 21

NOTES ASTON

DATE 10/12/23

ROUTE SR 163

H.C. NIESE

WEATHER CLOUDY

COUNTY WOOD

R.C. ASTON

TEMP. 60°

TOWNSHIP LAKE

SECTION 33

DWG BY ASTON PID CHIP SEAL

T 7 N R 12 E

TYPE MONUMENT MAG/WASHER

ON SURFACE - ~~BELOW~~ ON _____

OFFSET \varnothing PAVEMENT ON _____ LT : RT

- TO - EDGE PAVEMENT

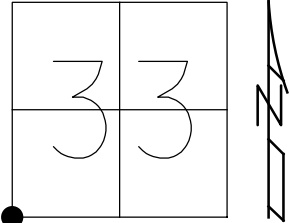
STATION: 43+18.52

HORZ. DATUM: NAD83(2011)

GEOID: NAVD88 2018

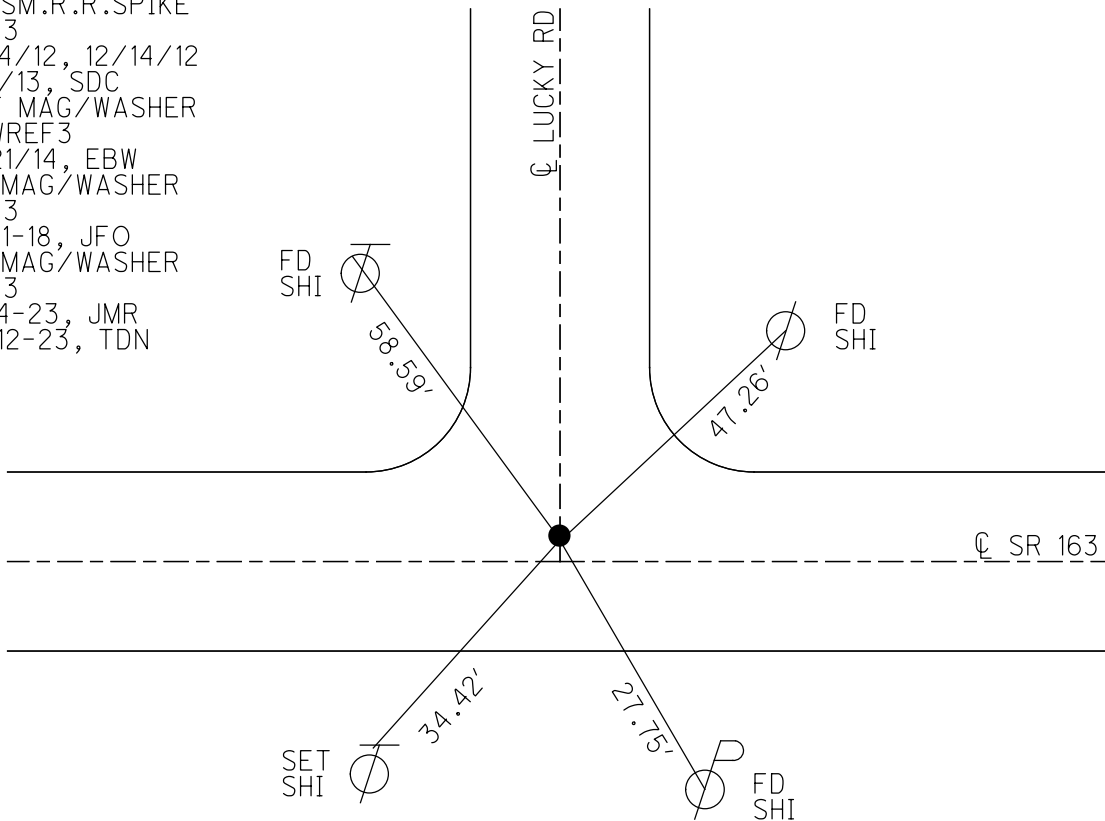
GRID: NORTHING: 674854.514

EASTING: 1696934.798



RECORD:
 FD R.R.SPIKE
 5/16/89
 SET SM.R.R.SPIKE
 8/2/89, IS
 FD SM.R.R.SPIKE
 REF3
 1/24/12, 12/14/12
 8/1/13, SDC
 SET MAG/WASHER
 NEWREF3
 8/21/14, EBW
 FD MAG/WASHER
 REF3
 9-21-18, JFO
 FD MAG/WASHER
 REF3
 6-14-23, JMR
 10-12-23, TDN

WOOD LDP:
 N: 497282.875
 E: 207419.497

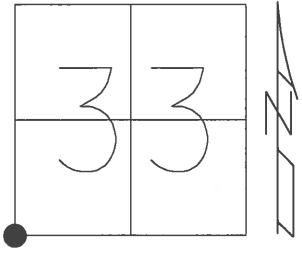


O.D.O.T. DISTRICT 2 SURVEY OFFICE (USE ONLY)

PERSONNEL _____ REFERENCE NO. 3 SHEET 8 OF 21

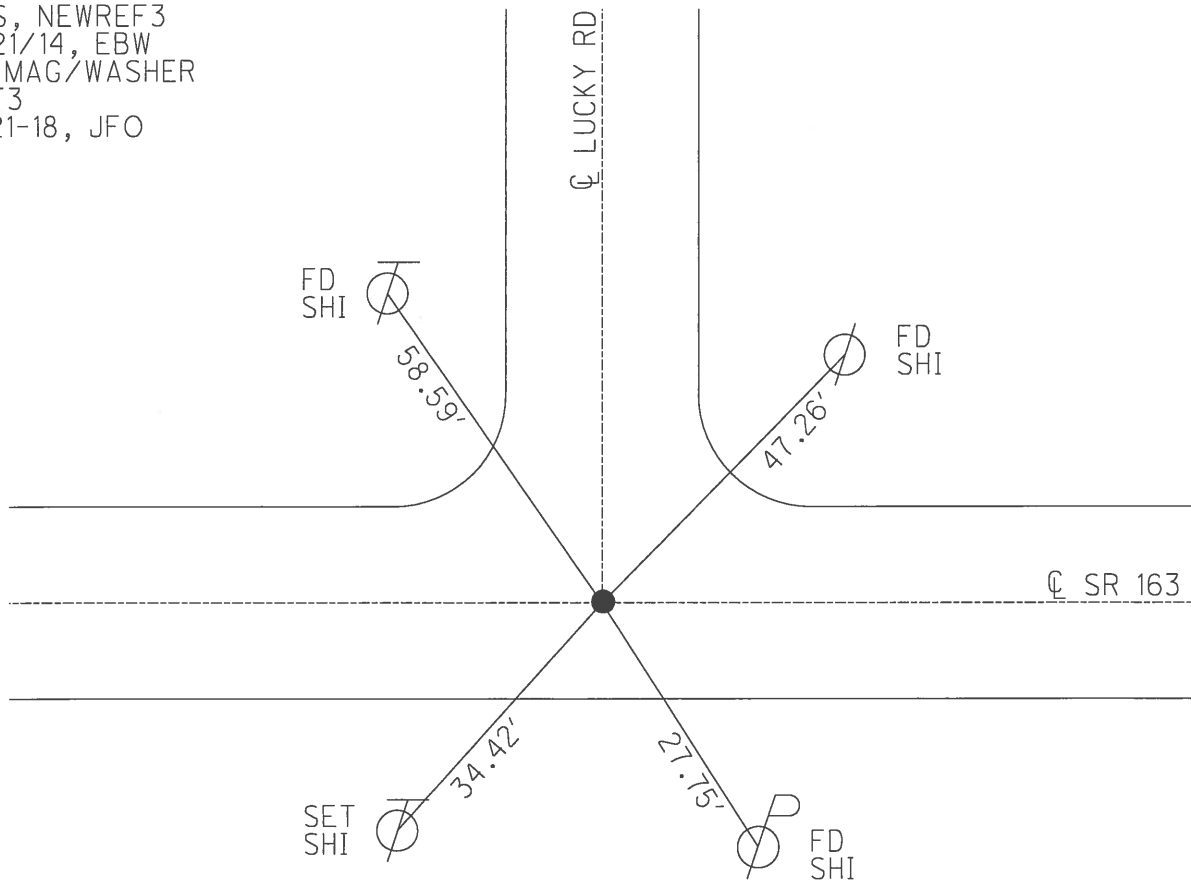
NOTES RHOADES DATE 8/1/13 ROUTE SR 163
 H.C. CODER WEATHER CLOUDY COUNTY WOOD
 R.C. RHOADES TEMP. 80° TOWNSHIP LAKE
 _____ SECTION 33
 _____ T 7 N R 12 E

TYPE MONUMENT SM.R.R.SPIKE
 ON SURFACE - ~~BELOW~~ ON
~~LEFT~~ - CL PAV'T - RIGHT 1.6'
- TO - EDGE PAVEMENT
 S.L.M. 43+18.52



Grid: Northing: 674854.514 Easting: 1696934.798

RECORD:
 FD R.R.SPIKE
 5/16/89
 SET SM.R.R.SPIKE
 8/2/89, IS
 FD SM.R.R.SPIKE
 GPS, REF3
 1/24/12, 12/14/12
 SET MAG/WASHER
 GPS, NEWREF3
 8/21/14, EBW
 FD MAG/WASHER
 REF3
 9-21-18, JFO

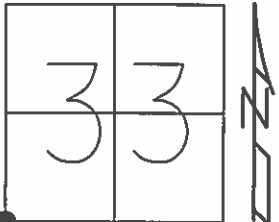


O.D.O.T. DISTRICT 2 SURVEY OFFICE (USE ONLY)

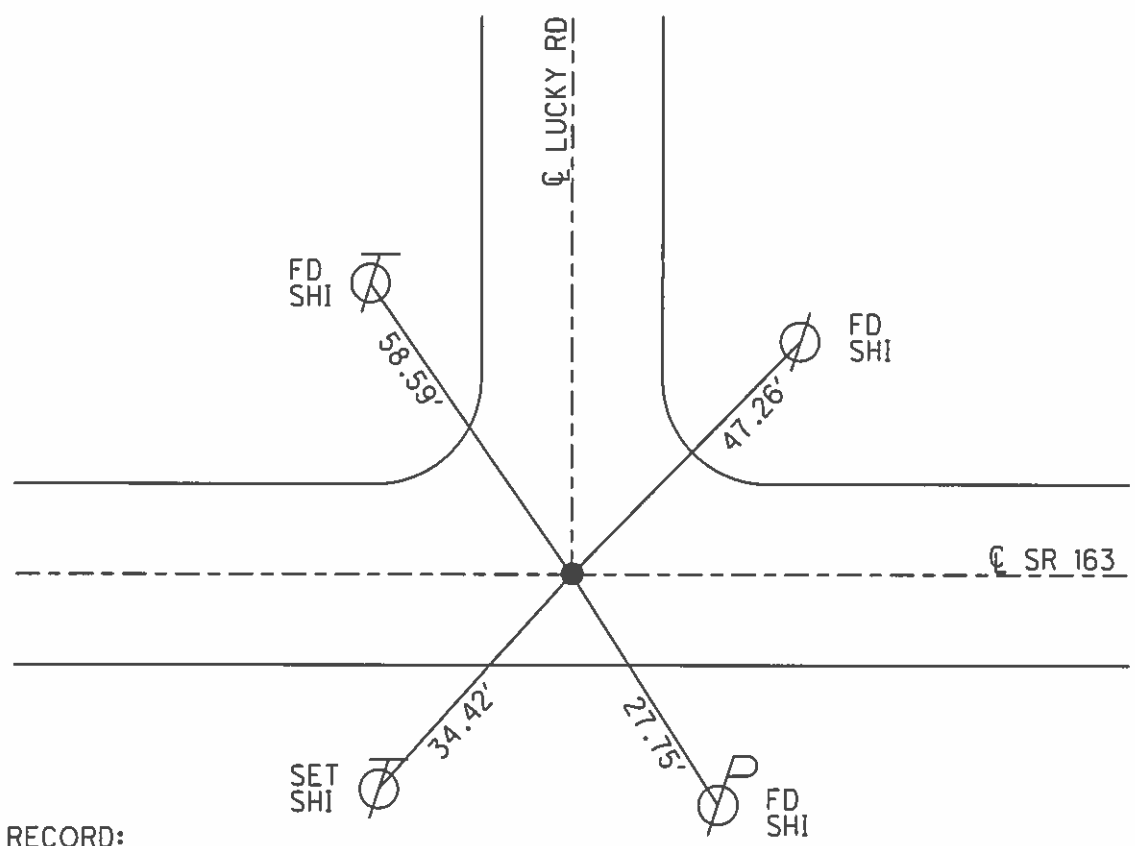
PERSONNEL _____ REFERENCE NO. 3 SHEET 8 OF 21

NOTES RHOADES DATE 8/1/13 ROUTE SR 163
 H.C. CODER WEATHER CLOUDY COUNTY WOOD
 R.C. RHOADES TEMP. 80° TOWNSHIP LAKE
 _____ SECTION 33
 _____ T 7 N R 12 E

TYPE MONUMENT SM.R.R.SPIKE
 ON SURFACE - ~~BELOW~~ ON _____
~~LEFT~~ - ☉ PAV'T - RIGHT 1.6'
 _____ TO _____ EDGE PAVEMENT
 S.L.M. 43+18.52



Grid: Northing: 674854.491 Easting: 1696934.746



RECORD:
 FD R.R.SPIKE
 5/16/89
 SET SM.R.R.SPIKE
 8/2/89, IS
 FD SM.R.R.SPIKE
 GPS, REF3
 1/24/12, 12/14/12
 SET MAG/WASHER
 GPS, NEWREF3
 8/21/14, EBW

O.D.O.T. DISTRICT 2 SURVEY OFFICE

PERSONNEL _____

REFERENCE NO. 3

SHEET 5 OF 14

NOTES 1. Stone

H.C. D. Curtis

R.C. J. Hauscholder

DATE 16 May 89

WEATHER Cloudy

TEMP. 61°

ROUTE SR#163

COUNTY Wood

TOWNSHIP Lake

SECTION 33

T. R.

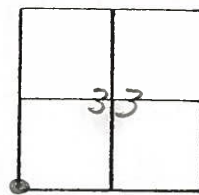
TYPE MONUMENT R.R. Spt.

ON SURFACE - BELOW 2" deep

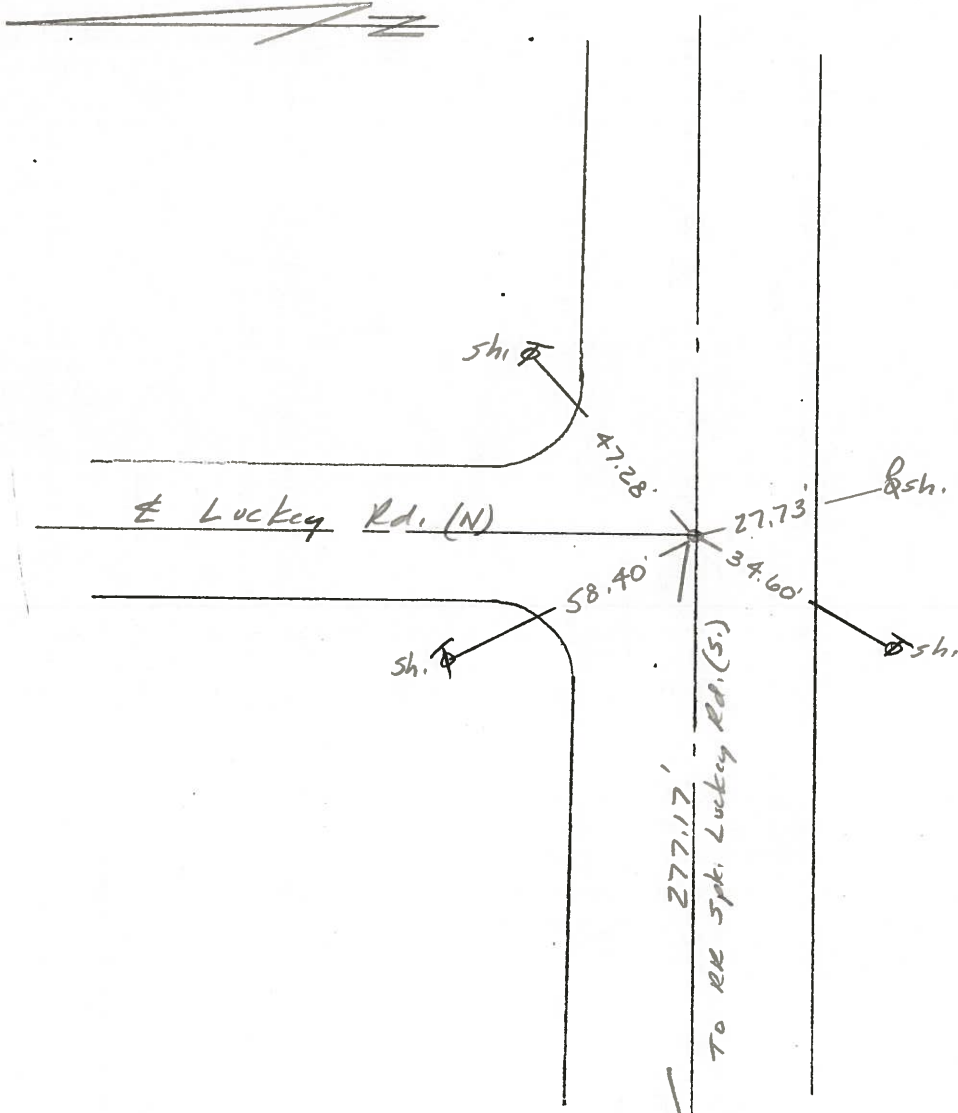
LEFT- & PAV'T. - RIGHT _____

TO _____ EDGE PAVEMENT

S.L.M. 43+24



SET Sm. R.R. Spt. TO SURFACE
8-2-89



Q.D.O.T. DISTRICT 2 SURVEY OFFICE

Sht. 5 of

County Wood S.R. 163

Date 5/20/81

Township

Weather

Section S.W. ² Sec. 33

Temp.

T1N, R12E

Personnel CRONIN

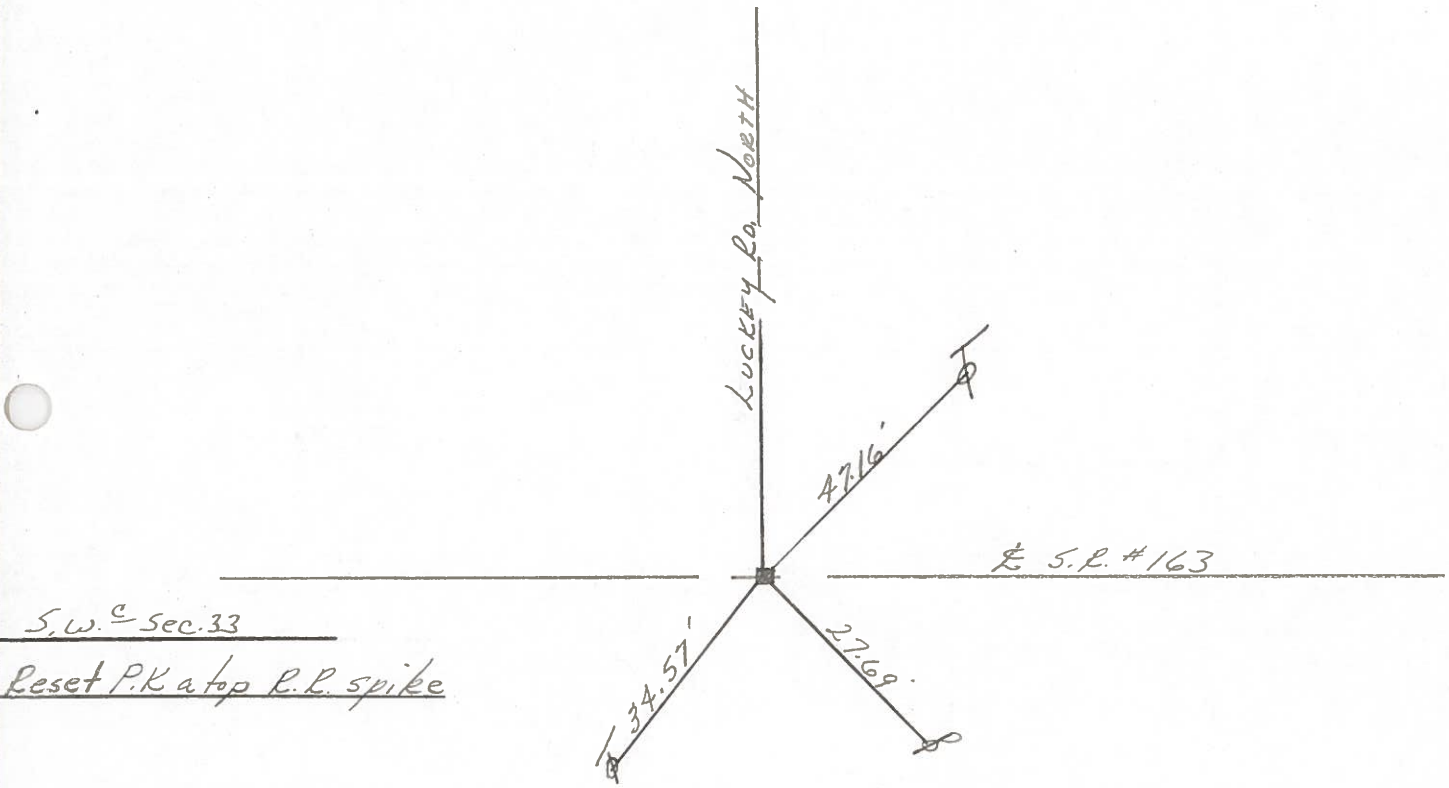
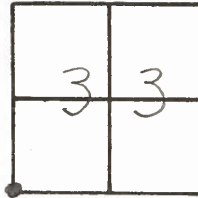
RIPPLE

GEYMAN

MOSSER

BARBOUR

#3



PERSONNEL	TITLE	PERSONNEL	TITLE
Tamsic			
Neuser			
Granata			

COUNTY Wood DATE April 10, 1973
 S. R. 163 WEATHER _____
 SEC. TROY TWP. TEMP. _____

DESCRIPTION _____ LEFT _____ CENTER LINE _____ RIGHT _____ JOB NO. _____



PERSONNEL TITLE PERSONNEL TITLE

Schneider
Mosser
Boots

COUNTY Wood DATE 3-5-69

S. R. 163 WEATHER Fair

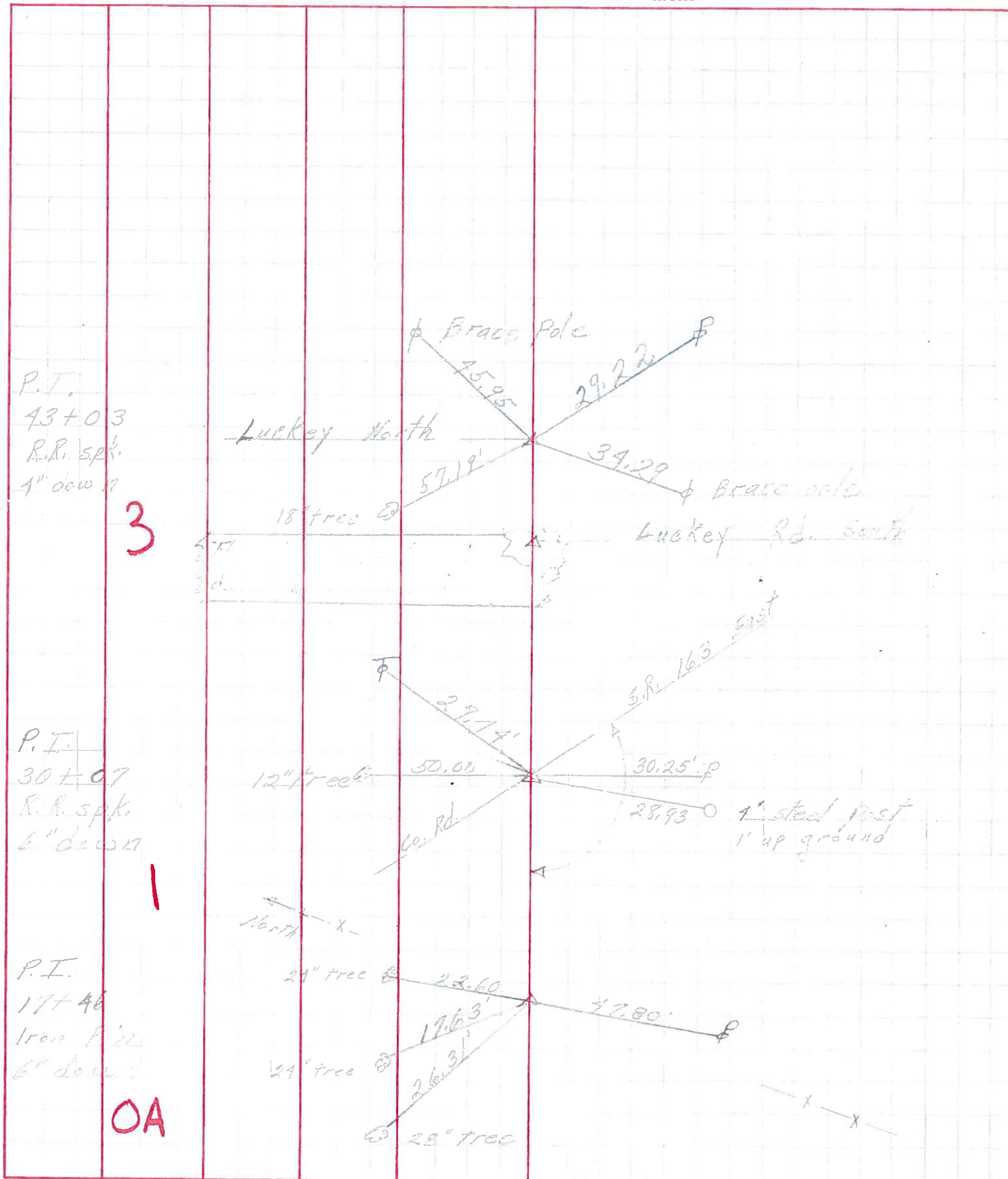
SEC. U.S. #206 I-280 TEMP. 35'

DESCRIPTION

Ties for Control Points

JOB NO. _____

LEFT CENTER LINE RIGHT



3

1

OA

PERSONNEL	TITLE	PERSONNEL	TITLE	COUNTY	DATE
				Wood	1/6/58
				#163	SWOGEN-4-11-60
					WEATHER
				SEC. I	TEMP.

DESCRIPTION	LEFT	CENTER LINE	RIGHT	JOB NO.
-------------	------	-------------	-------	---------

Sta. 40+39.80 (Fd. I. Pipe) Shiner in P.P. ✓ E.S.E. 52
 N.W. cor. sec. 4 Troy Twp. Shiner in T.P. ✓ N. 23.
 277.2' W. of S.W. cor. sec. Shiner in 18" oak ✓ S.E. 49.52, 49
 33 Lake Twp. (Luckey Rd. South) Shiner in 15" White ash S.W. 52

2 #316

Sta. 43+17 P.I. (Fd. R.R. Spk) Shiner in Brace Pole N.E. 45
 Iron rod Shiner in 14" Elm S. 15' N.E. 57
 S.W. cor. sec. 33 Lake Twp. X-on rock S.W. 41
 Δ = 0° - 07' E. (Luckey Rd. North) Conc. marker N.W. 48
 Shiner in 15" Elm N.W. 57
 Shiner in P.P. ✓ S.E. 29.13, 29

3 #317

Sta. 56+26.1
 E.E. spk. 0.5' S. of line.
 N.E. cor. Ed. Tr. #45
 1322' W. of 5/4 post sec.
 33 Lake Twp.

#318

Sta. 67+38.85 (Fd. R.R. Spk) Shiner P. Pole S.E. 106
 R.R. spk. on line X-in conc. marker S. 30
 N.E. cor. Rd. Tr. #46 X-in conc. marker ✓ S.W. 57
 Shiner in P. Pole S.W. 49
 (~~Original find~~) Shiner 14" Apple S.S.W. 91

#319

Sta. 69+48.15 P.I. Shiner in 8" poplar E. 87
 I. pins 5/4 post sec. 33 (Fd. I. Pin) Iron pin (gone) S. 25
 Lake Twp. - on line Shiner in P.P. ✓ S.E. 65.53
 Shiner P. Pole S.W. 107.1

4A

(Did not locate)

PERSONNEL	TITLE	PERSONNEL	TITLE	COUNTY	DATE
				Wood	1/6/58
				#/63	SWEDEN-4-11-60
				SEC. I	WEATHER
					TEMP.

DESCRIPTION	LEFT	CENTER LINE	RIGHT	JOB NO.
Sta. 40+39.80 N.W. cor. sec. 4 Troy Twp. 277.2' W. of S.W. cor. sec. 33 Lake Twp. (Luckey Rd. South)	+26 2 #316	(Fd. I. Pipe)	Shiner in P.P. E.S.E. 52.0 Shiner in T.P. N. 23.2 Shiner in 18" oak S.E. 49.5 49.9 Shiner in 18" White ash S.W. 53.0 Shiner in 8" tree NW 59.7	
Sta. 42+17 Iron rod S.W. cor. sec. 33 Lake Twp Δ = 0°-07' E. (Luckey Rd. North)	3 #317	(Fd. R.R. Spk)	Shiner in Brace Pole N.E. 45.4 Shiner in 14" Elm S. 15' N.E. 51.1 X-on rock S.W. 41.0 Corner marker N.W. 48.0 Shiner in 15" Elm N.W. 57.0 Shiner in P.P. S.E. 29.5 Shiner in Brace Pole S.W. 34.0	
Sta. 53+26.1 R.R. spk. 0.5' S. of line. N.E. cor. Rd. Tr. #45 1322' W. of 5/4 post sec. 32 Lake Twp.	#318			
Sta. 57+33.95 R.R. spk. on line N.E. cor. Rd. Tr. #45	#319	(Fd. R.R. Spk) P.K. Nail	Shiner P. Pole S.E. 106.8 X-in conc. marker 90° E S. 35.0 X-in conc. marker S.W. 57.9 Shiner in P. Pole S.W. 49.3 Shiner 14" Apple S.S.W. 91.3	
Sta. 59+43.15 I. pin 5/4 post sec. 33 Lake Twp. - on line	4 #47	(Fd. I. Pin) Pd P.K.	Shiner in 2" post E. 87.3 Iron pin (gone) S. 35.0 Shiner in P.P. S.E. 65.5 Shiner P. Pole S.W. 107.2 101.7	

PERSONNEL	TITLE	PERSONNEL	TITLE	COUNTY	DATE
				Wood	1/6/58
				S. R. #163	SWORDEN-4-1-60
				SEC. I	WEATHER
					TEMP.

DESCRIPTION	LEFT	CENTER LINE	RIGHT	JOB NO.
Sta. 40+39.80 N.W. cor. sec. 4 Troy twp. 277.2' W. of S.W. cor. sec. 33 Lake Twp. (Luckey Rd. South)		(Fd. I. Pipe)	Shiner in P.P. E.S.E. 52.2 Shiner in T.P. N. 23.2 Shiner in 18" oak S.E. 49.52 Shiner in 15" White ash S.W. 52.8	
	2 #316			
Sta. 43+17 Iron rod S.W. cor. sec. 33 Lake Twp. Δ = 0°-07' E. (Luckey Rd. North)	P.I.	(Fd. R.R. Spk)	Shiner in Brace Pole N.E. 45.9 Shiner in 14" Elm S.E. 51.15 X-on rock S.W. 41.3 Conc. marker N.W. 48.1 Shiner in 15' Elm N.W. 57.1 Shiner in P.P. S.E. 29.18 Shiner in Brace Pole S.W. 34.9	
	3 #317			
Sta. 56+26.1 R.R. spk. 0.5' S. of line. N.E. Cor. Rd. Tr. #45 1322' W. of 5/4 post sec. 33 Lake Twp.				
	#318			
Sta. 67+38.85 R.R. spk. on line N.E. Cor. Rd. Tr. #46		(Fd. R.R. Spk)	Shiner P. Pole S.E. 106.8 X-in conc. marker S. 30.0 X-in conc. marker S.W. 57.9 Shiner in P. Pole S.W. 49.3 (Did not find) Shiner 14" Apple S.S.W. 91.3	
	#319			
Sta. 69+48.15 I. pin 5/4 post sec. 33 Lake Twp. - on line	P.I.	(Fd. I. Pin)	Shiner in 8" poplar E. 87.8 Iron pin (gone) S. 25.0 Shiner in P.P. S.E. 65.53 Shiner P. Pole S.W. 107.1	
	4			
	UA	(Did not locate)		

PERSONNEL TITLE PERSONNEL TITLE

COUNTY OTT. Wood DATE _____

S. R. 163 WEATHER _____

SEC. _____ TEMP. _____

DESCRIPTION LEFT CENTER LINE RIGHT JOB NO.

From U.S. Rt. 20 to Ottawa Co. Line

Sta. 0+00 - Set R.R. Spike *No Book Different in Book*
 Wit. { T.P.S. W. 43.45 *Book ties 1/8/58*
 T.P.N.E. 14.9' *COMPARE*

Sta. 0+59.7 - N. Line of U.S. 20 at E of Rocky Rd.
 X Chiseled on Limestone
 { Conc. Hitch. Post N.E. 21.5' *7 in Book*
 Wit. { Cor. Church step N.W. 98.65' *95.55 in Book*
 T.P.S. 48.3'

Sta. 3+23.2 - Brass Rod in Iron Pipe
 N.E. Cor. of Church Lot - 25' W. of E of Rd.
 Wit. { 8" Walnut W. of N. 41.42'
 6" Catalpa N.W. 25.04' *Different points in Book*
 6" " S.W. 24.58'

Sta. 17+50 - Iron Pipe - 735' W. of E of Road.
 { Stone with (+) N. of W. 30.5'
 Wit. { Catalpa 8" W. 18.25' *no points in Book*
 " 8" S.W. 27.08'

Sta. 29+94.1 P.I. - Iron Pin 23.4' S. of Iron Post
 (+) on rock N.E. 57.55' *Different in Book*
 1A Wit. (+) " " S.W. 44.50'

Sta. 40+39.80 - N.W. Cor. Sec. 4 Troy Twp. 277.2' W. of S.W. Cor. Sec. 33 Lake Twp. (No Witnesses) *in Book #1*
 2

Sta. 43+17 P.I. - Iron Rod - S.W. Cor. Sec. 33 Lake Twp. $\Delta = 0^\circ - 07' RT$
 { Conc. Mkk. N.E. 28.8'
 Wit. { " " N.W. 48.55' found *Different in Book*
 (+ on Rock S.W. 40.01'
 3

PERSONNEL TITLE PERSONNEL TITLE

COUNTY X/ood DATE _____

S. R. #163 WEATHER _____

SEC. _____ TEMP. _____

DESCRIPTION LEFT CENTER LINE RIGHT JOB NO. _____

S. W. Cor. Sec. 32 Lake Twp. (Stone is 5' W. of true Cor.)
 { Shiner in 15" Elm W. 47.40'
 " in P.P. #80602 N.E. 39.88'
 Wit. { Mon. Mkr. S.E. 29.30'
 " " N.E. 38.3'

S 1/4 Post Sec. 32 Lake Twp.
 { Conc. Mkr. S.E. 7.70'
 Wit. { " " S.W. 7.76'

S. W. Cor. Sec. 34 Lake Twp.
 Iron rod { 8" Catalpa N.E. 69.70'
 " " 6" " S.W. 22.70'

S. W. Cor. Sec. 33 Lake Twp.
 Stone { Con. Mt. N.E. 28.8'
 " " S.W. 48.55'

80 Rds. W. of the S.E. Cor. Sec. 34 Lake Twp.
 Stone { Con. Mt. N.W. 21.4'
 " " N.E. 22.1'
 Mt. 4' S. of \oplus
 T.P. S.W. 26.3'
 Cor. Fence Post N. 21.0'

S. W. Cor. Sec. 35 Lake Twp.
 Stone { Conc. Mkr. S.E. 23.5'
 " " S.W. 18.0'