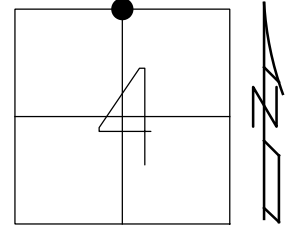


O.D.O.T. DISTRICT 2 SURVEY OFFICE (USE ONLY)

PERSONNEL _____ REFERENCE NO. 4 SHEET 9 OF 21
 NOTES ASTON DATE 10/13/23 ROUTE SR 163
 H.C. NIESE WEATHER CLOUDY COUNTY WOOD
 R.C. AUBLE TEMP. 58° TOWNSHIP TROY
 _____ SECTION 4
 DWG BY ASTON PID CHIP SEAL T 6 N R 12 E

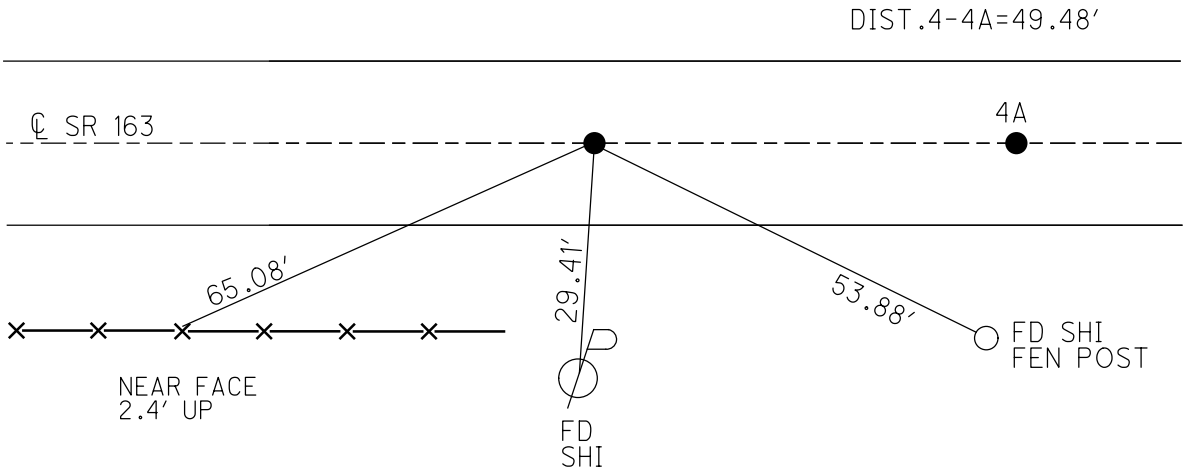
TYPE MONUMENT P.K./WASHER
~~ON SURFACE~~ - BELOW 2 1/2"
 OFFSET \varnothing PAVEMENT ON LT : RT
- TO - EDGE PAVEMENT
 STATION: 66+91.12



HORIZ.DATUM: NAD83(2011) GEOID: NAVD88 2018
 GRID: NORTHING: 674838.698 EASTING: 1699307.349

RECORD:
 FD P.K.NAIL
 5/16/89
 SET P.K.NAIL
 8/2/89, IS
 FD P.K.NAIL
 REFA4
 7/2/13, EBW
 1/24/12, 12/14/12
 SET MAG/WASHER
 NEWREF4
 8/21/14, EBW
 FD P.K./ WASHER
 2 1/2" DOWN
 REF4
 6-14-23, JMR
 FD P.K. NAIL
 2 1/2" DOWN
 10-13-23, TDN

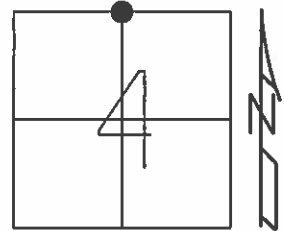
WOOD LDP:
 N: 497298.421
 E: 209792.152



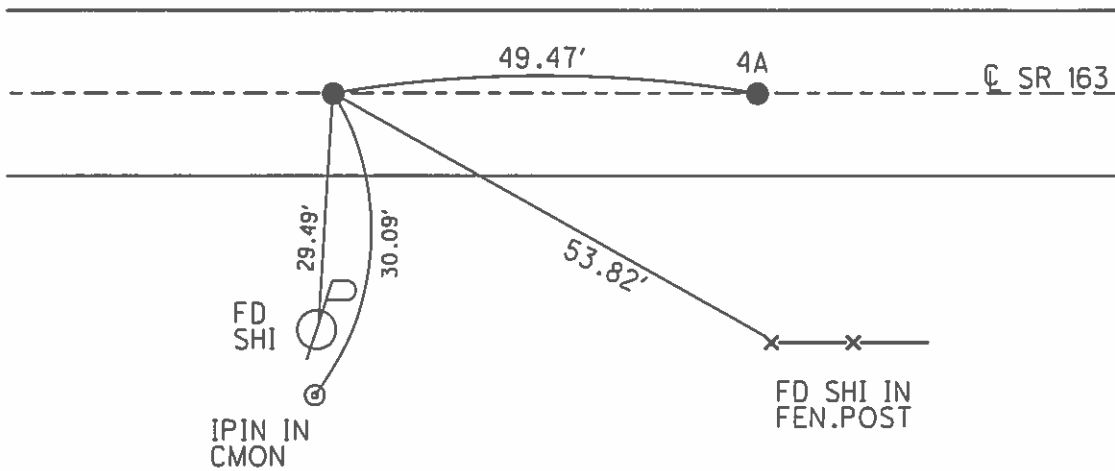
O.D.O.T. DISTRICT 2 SURVEY OFFICE (USE ONLY)

PERSONNEL _____ REFERENCE NO. 4 SHEET 9 OF 21
 NOTES ROUSOS DATE 7/2/13 ROUTE SR 163
 H.C. WESTFALL WEATHER OVERCAST COUNTY WOOD
 R.C. ROUSOS TEMP. 65° TOWNSHIP TROY
 _____ SECTION 4
 _____ T 6 N R 12 E

TYPE MONUMENT P.K.NAIL
 ON SURFACE - ~~BELOW~~ ON
 LEFT - ☉ PAV'T - RIGHT ON
- TO - EDGE PAVEMENT
 S.L.M. 66+91.12
 Grid: Northing: 674838.698 Easting: 1699307.349



RECORD:
 FD P.K.NAIL
 5/16/89
 SET P.K.NAIL
 8/2/89, IS
 FD P.K.NAIL
 GPS, REFA4
 1/24/12, 12/14/12
 SET MAG/WASHER
 GPS, NEWREF4
 8/21/14, EBW



O.D.O.T. DISTRICT 2 SURVEY OFFICE

PERSONNEL _____

REFERENCE NO. 4

SHEET 6 OF 14

NOTES 1. Stone

H.C. D. Curtis

DATE 16 May 89

ROUTE SR# 163

R.C. J. Householder

WEATHER Cloudy

COUNTY Wood

TEMP. 63°

TOWNSHIP 20th

SECTION 33

T _____ R _____

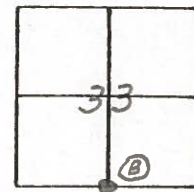
TYPE MONUMENT Ⓐ = PK Nail
Ⓑ = PK Nail

ON SURFACE - BELOW Surface

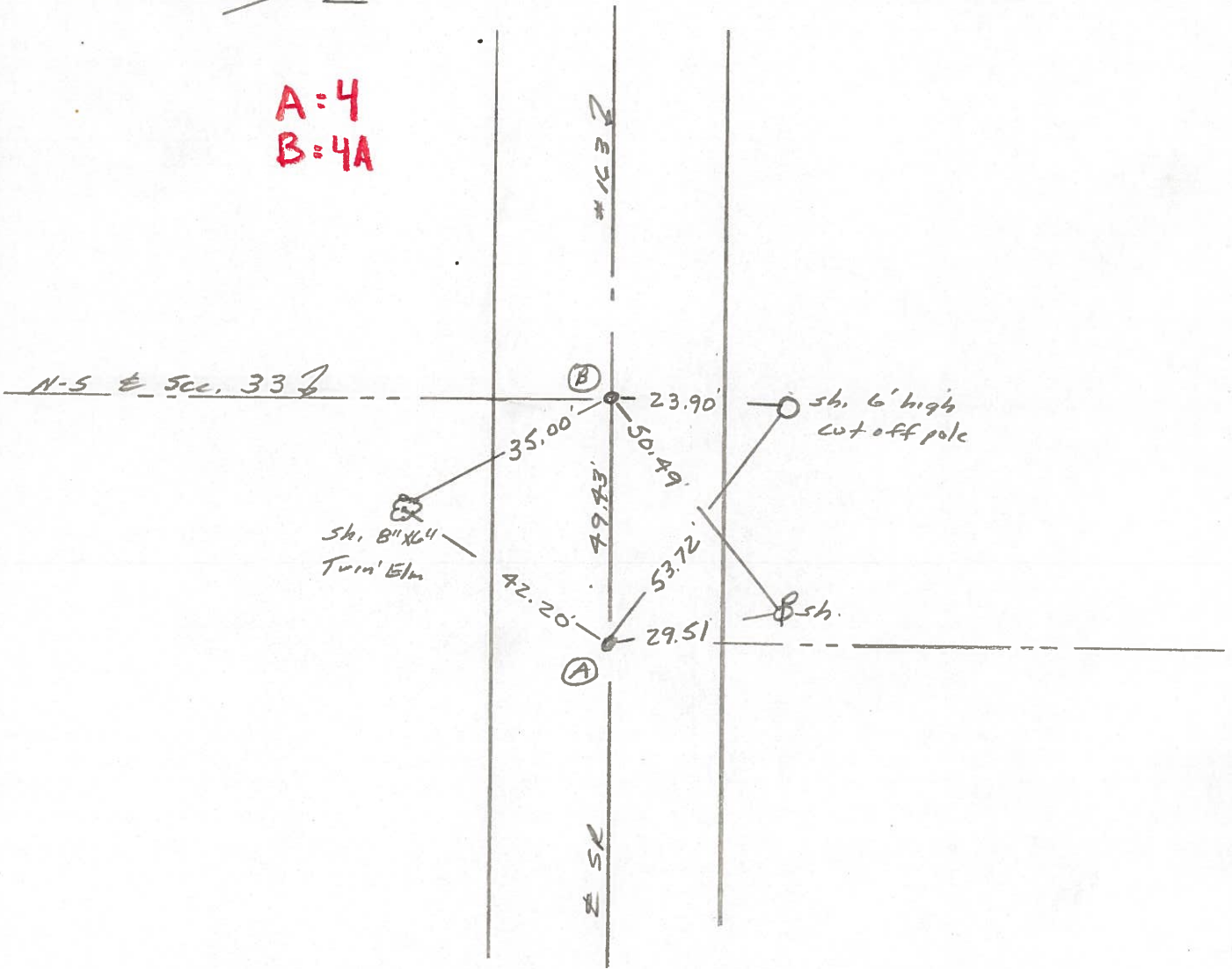
LEFT - & PAV'T. - RIGHT _____

_____ TO _____ EDGE PAVEMENT

S.L.M. Ⓐ = 66+97 Ⓑ = 67+47



SET P.K. NAILS AT BOTH POINTS
8-2-89



A=4
B=4A

ODOT. DISTRICT 2 SURVEY OFFICE

Sht. 6 of

County Wood S.R. 163

Township Troy - LAKE

Section 4 - 33

T⁷₆N, R¹²₂E

Personnel Cronin

Ripple

Geyman

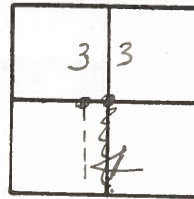
Mosser

Barbour

Date 5/20/81

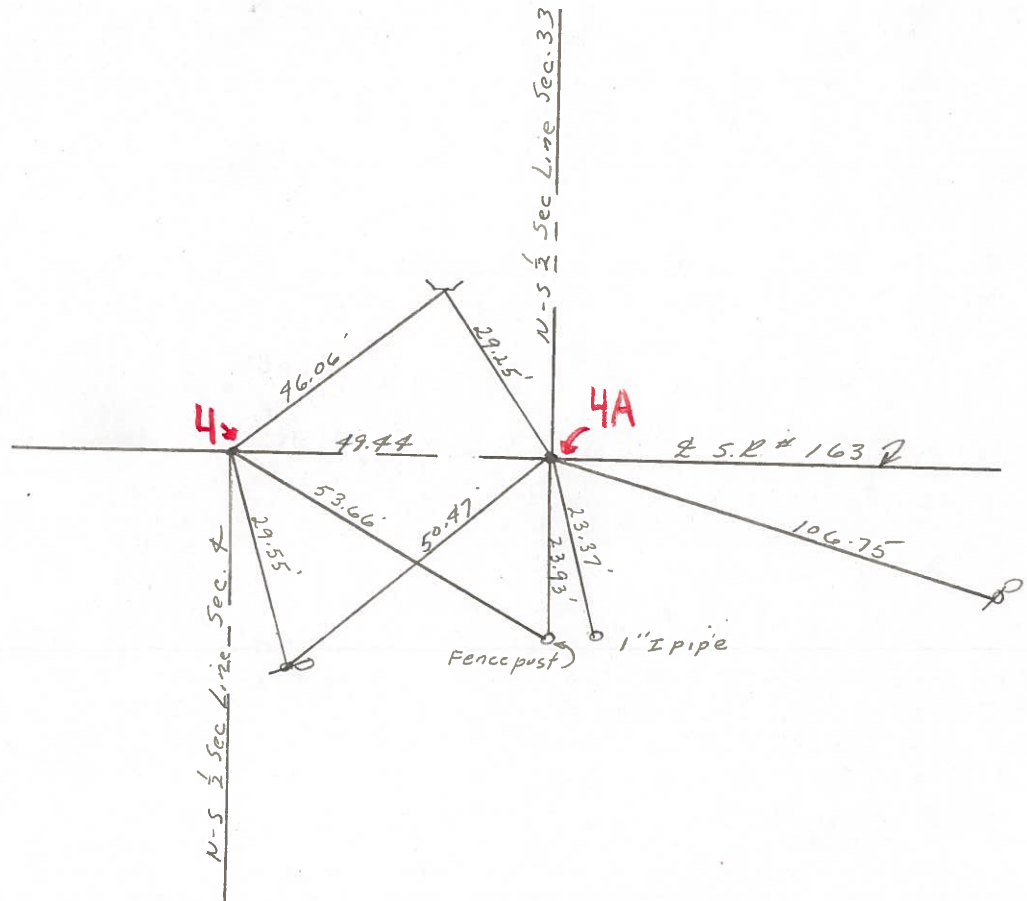
Weather

Temp.



#4

N-S 1/2 Sec. Line of
Sec. 4 Troy & Sec 33
LAKE



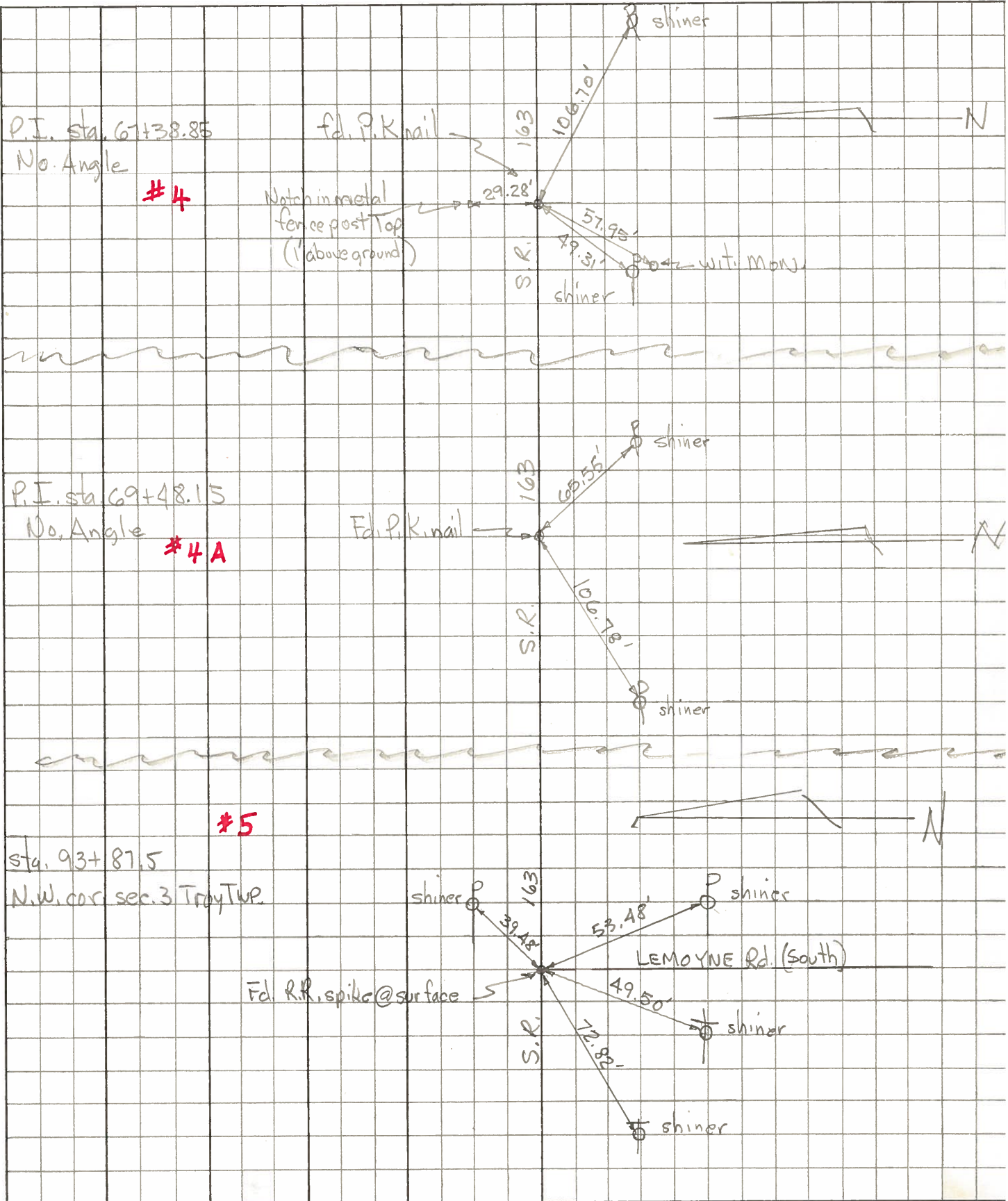
PERSONNEL	TITLE	PERSONNEL	TITLE
Tomsic			
Neuser			
Granata			

COUNTY Wood DATE April 10, 197

S. R. 163 WEATHER _____

SEC. Troy Twp. TEMP. _____

DESCRIPTION _____ LEFT _____ CENTER LINE _____ RIGHT _____ JOB NO. _____



PERSONNEL	TITLE	PERSONNEL	TITLE

COUNTY Wood DATE 1/15/60
 S. R. #163 SWEDEN-4-11-60
 WEATHER _____
 SEC. I TEMP. _____

DESCRIPTION	LEFT	CENTER LINE	RIGHT	JOB NO.
Sta. 40+39.80 N.W. cor. sec. 4 Troy Twp. 277.2' W. of S.W. cor. sec. 33 Lake Twp. (Luckey Rd. South)	+36 2 #316	(Fd. I. Pipe)	Shiner in P.P. E.S.E. 52.0 Shiner in T.P. N. 23.2 Shiner in 18" oak S.E. 49.5 49.0 Shiner in 18" White ash S.W. 53.0 Shiner in 8" Tree NW 59.7	
Sta. 42+17 Iron rod S.W. cor. sec. 33 Lake Twp. Δ = 0°-07' E. (Luckey Rd. North)	3 #317	(Fd. R.R. Spk)	Shiner in Brace Pole N.E. 45.5 Shiner in 14" Elm S.15' N.E. 57.0 X-on rock S.W. 41.0 Corner marker N.W. 48.0 Shiner in 15" Elm N.W. 57.0 Shiner in P.P. S.E. 29.5 Shiner in Brace Pole S.W. 34.5	
Sta. 53+26.1 R.R. spk. 0.5' S. of line. N.E. cor. Rd. Tr. #45 1322' W. of 5/4 post sec. 33 Lake Twp.	#318			
Sta. 57+33.95 R.R. spk. on line N.E. cor. Rd. Tr. #45	#319	(Fd. R.R. Spk) P.K. Nail	Shiner P. Pole S.E. 106.8 X-in conc. marker 90° E S. 35.0 X-in conc. marker S.W. 57.9 Shiner in P. Pole S.W. 49.3 Shiner 14" Apple S.S.W. 91.3	
Sta. 51+43.15 I. pin 5/4 post sec. 33 Lake Twp. - on line	4 #47	(Fd. I. Pin) Pd R.K.	Shiner in 2" pepper ^{90° E} E. 87.3 Iron pin (gone) S. 35.0 Shiner in P.P. S.E. 65.5 Shiner P. Pole S.W. 107.12 107.7	

PERSONNEL	TITLE	PERSONNEL	TITLE	COUNTY	DATE
				Wood	1/6/57
				#163	SWORDEN-4-11-60
					WEATHER
				SEC. I	TEMP.

DESCRIPTION	LEFT	CENTER LINE	RIGHT	JOB NO.
-------------	------	-------------	-------	---------

Sta. 40+39.30 N.W. cor. sec. 4 Troy Twp. 277.2' W. of S.W. cor. sec. 33 Lake Twp. (Luckey Rd. South)		(Fd. I. Pipe)	Shiner in P.P. ✓ E.S.E. 52. Shiner in T.P. ✓ N. 23. Shiner in 18" oak ✓ S.E. 49.52 Shiner in 15" White ash S.W. 52.	
---	--	---------------	--	--

2 #316

Sta. 43+17 Iron rod S.W. cor. sec. 33 Lake Twp. Δ = 0° - 07' R. (Luckey Rd. North)	P.I.	(Fd. R.R. Spk)	Shiner in Brace Pole N.E. 45. Shiner in 14" Elm S. 15' N.E. 54 X-on rock S.W. 41. Conc. marker N.W. 48 Shiner in 15" Elm N.W. 57 Shiner in P.P. ✓ S.E. 29.13 Shiner in Brace Pole S.W. 34.	
---	------	----------------	--	--

3 #317

Sta. 56+26.1
R.R. spk. 0.5' S. of line.
N.E. cor. Rd. Tr. #45
1322' W. of 5/4 post sec.
33 Lake Twp.

#318

Match in Iron Sign Post N.W. 29.28
Shiner P. Pole S.E. ✓ 106.0

Sta. 67+33.95 R.R. spk. on line N.E. cor. Rd. Tr. #46		(Fd. R.R. Spk)	X-in conc. marker S. 30. X-in conc. marker ✓ S.W. 57. Shiner in P. Pole S.W. ✓ 49.7 Shiner 14" Apple S.S.W. 91.3	
---	--	----------------	---	--

#319

(Original find)
~~4-5-59~~

4

Sta. 69+48.15 I. pin 5/4 post sec. 33 Lake Twp. - on line	P.I.	(Fd. I. Pin)	Shiner in 8" poplar E. 87.8 Iron pin (gone) S. 25. Shiner in P.P. ✓ S.E. 65.53 Shiner P. Pole S.W. 107.1	
---	------	--------------	---	--

4A

(Did not locate)

PERSONNEL	TITLE	PERSONNEL	TITLE

COUNTY Wood DATE 1/6/58
 S. R. #163 SWORDEN-4-11-60
 SEC. I WEATHER _____ TEMP. _____

DESCRIPTION _____ LEFT _____ CENTER LINE _____ RIGHT _____ JOB NO. _____

DESCRIPTION	LEFT	CENTER LINE	RIGHT	JOB NO.
Sta. 40+39.80 N.W. cor. sec. 4 Troy twp. 277.2' W. of S.W. cor. sec. 33 Lake Twp. (Luckey Rd. South)		(Fd. I. Pipe)	Shiner in P.P. E.S.E. 52.2 Shiner in T.P. N. 23.2 Shiner in 18" oak S.E. 49.52 Shiner in 15" White ash S.W. 52.7	
2 #316				
Sta. 43+17 P.I. Iron rod S.W. cor. sec. 33 Lake Twp. Δ = 0°-07' E. (Luckey Rd. North)		(Fd. R.R. Spk)	Shiner in Brace Pole N.E. 45.9 Shiner in 14" Elm S.E. 51.15 X-on rock S.W. 41.3 Conc. marker N.W. 48.1 Shiner in 15" Elm N.W. 57.1 Shiner in P.P. S.E. 29.18 Shiner in Brace Pole S.W. 34.9	
3 #317				
Sta. 56+26.1 R.R. spk. 0.5' S. of line. N.E. Cor. Rd. Tr. #45 1322' W. of 5/4 post sec. 33 Lake Twp.				
#318				
Sta. 67+38.85 R.R. spk. on line N.E. Cor. Rd. Tr. #46		(Fd. R.R. Spk)	Shiner P. Pole S.E. 106.8 X-in conc. marker S. 30.0 X-in conc. marker S.W. 57.9 Shiner in P. Pole S.W. 49.3 (Did not find) Shiner 14" Apple S.S.W. 91.3	
#319				
4				
Sta. 69+48.15 P.I. I. pin 5/4 post sec. 33 Lake Twp. - on line		(Fd. I. Pin)	Shiner in 8" poplar E. 87.8 Iron pin (gone) S. 25.0 Shiner in P.P. S.E. 65.53 Shiner P. Pole S.W. 107.1	
UN		(Did not locate)		

PERSONNEL	TITLE	PERSONNEL	TITLE	COUNTY St Wood	DATE
				S. R. #163	WEATHER
				SEC.	TEMP.
DESCRIPTION	LEFT	CENTER LINE	RIGHT	JOB NO.	

Sta. 56+26.1 - R.R. Spike 0.5' S. of Line (N.E. Cor. Rd. Tr. 45)
 1322' W. of S. 1/4 Post Sec. 33 Lake

Wit. { Basswood N.W. 38.25' *not in Book*
 Ash N.E. 58.9'
 (+) on rock N.W. 21.3'

Sta. 67+38.85 R.R. Spk. on Line (N.E. Cor. Rd. Tr. 46)

4 Wit. { Light Pole S.W. 49.45'
 Fence Post S. 26.45' found *Diff. in Book*

Sta. 69+48.15 P.I. - I pin S 1/4 Post Sec. 33 Lake - online.
 (No Witnesses) found *Wit. in Book*

4A

Sta. 93+87.5 I. Pin - N.W. Cor. Sec. 3 Troy - online
 Wit. I pin 16' N. found *Wit. in Book*

5

Sta. 95+78.8 P.I. - I. pin - S.W. Cor 34 Lake

6 Wit. { Catalpa N.E. 69.70' *in Book*
 " S.W. 22.00' *4 in Book* found

Sta. 114+33.6 - I. Pin 0.1' S. of Line

Wit. { I. Pin North 25' *Diff. in Book*
 B.O. 24" N.E. 62.35' found
 7 Catalpa S.E. 25.9'

Sta. 120+37.7 - I pin 0.45' N. of Line - N 1/4 Post Sec. 3 Troy Twp.

Wit. - Catalpa S. 27'; P.P. N.E. - 84.5' *in Book* found *Diff. in Book*

Sta. 122+21.3 - I. Stake $\Delta = 0^\circ - 18.5^\circ$ Rt. S. 1/4 Post Sec. 34 Lake Tw

8 Wit. { Conc. Mkr. N.E. 22.35'
 " " N.W. 21.18' found *in Book*