

O.D.O.T. DISTRICT 2 SURVEY OFFICE (USE ONLY)

PERSONNEL

REFERENCE NO. 5

SHEET 11 OF 21

NOTES ASTON
 H.C. NIESE
 R.C. ASTON

DATE 10/12/23
 WEATHER CLOUDY
 TEMP. 60°

ROUTE SR 163
 COUNTY WOOD
 TOWNSHIP TROY
 SECTION 4
 T 6 N R 12 E

DWG BY ASTON PID CHIP SEAL

TYPE MONUMENT R.R.SPIKE

~~ON SURFACE~~ - BELOW 2 1/2"

OFFSET \odot PAVEMENT 3.5' \pm : RT

- TO - EDGE PAVEMENT

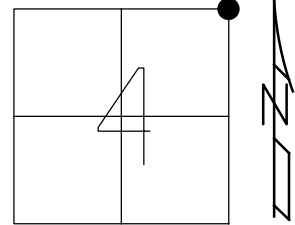
STATION: 93+90.56

HORIZ.DATUM: NAD83(2011)

GEOID: NAVD88 2018

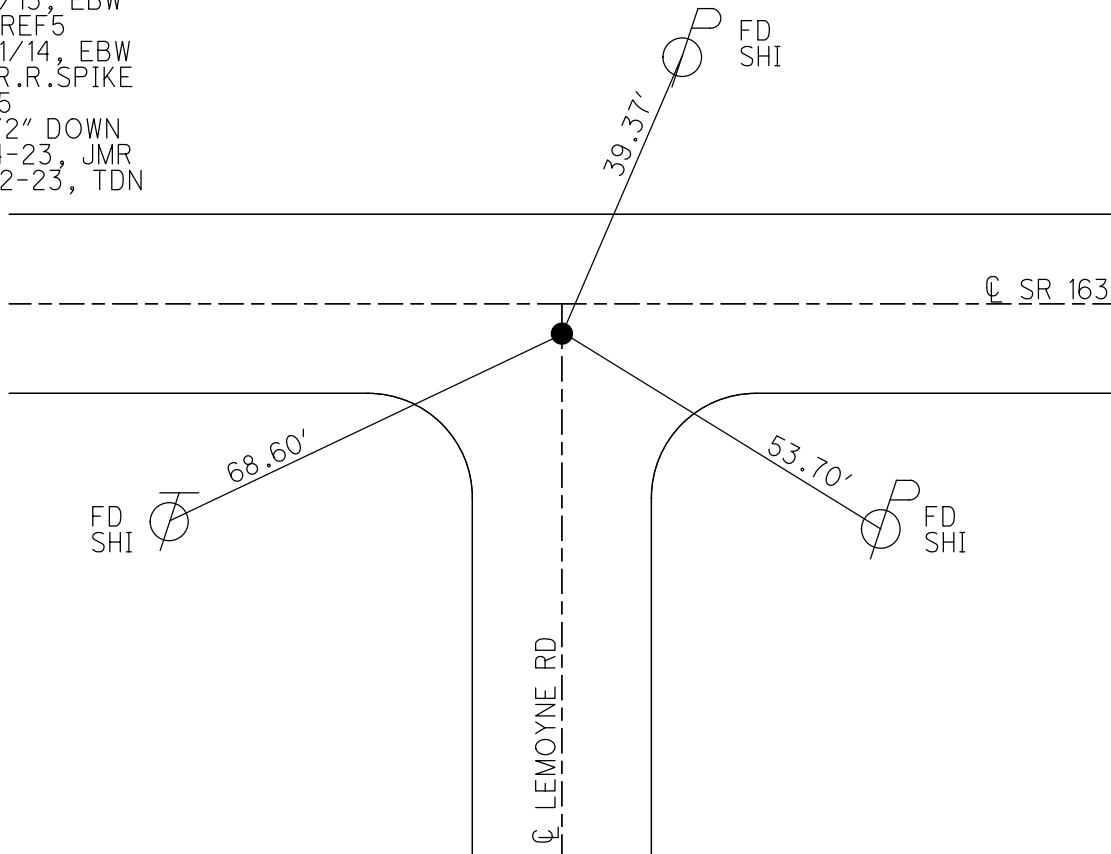
GRID: NORTHING: 674820.790

EASTING: 1702006.785



RECORD: P.I.
 FD R.R.SPIKE
 5/16/79, 5/16/89
 SET SM.R.R.SPIKE
 8/2/89, IS
 FD SM.R.R.SPIKE
 REF5
 1/25/12, 12/14/12
 7/2/13, EBW
 NEWREF5
 8/21/14, EBW
 FD R.R.SPIKE
 REF5
 2 1/2" DOWN
 6-14-23, JMR
 10-12-23, TDN

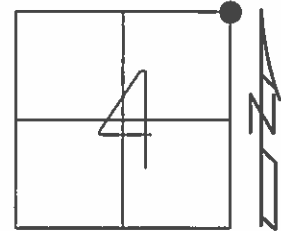
WOOD LDP:
 N: 497316.208
 E: 212491.761



O.D.O.T. DISTRICT 2 SURVEY OFFICE (USE ONLY)

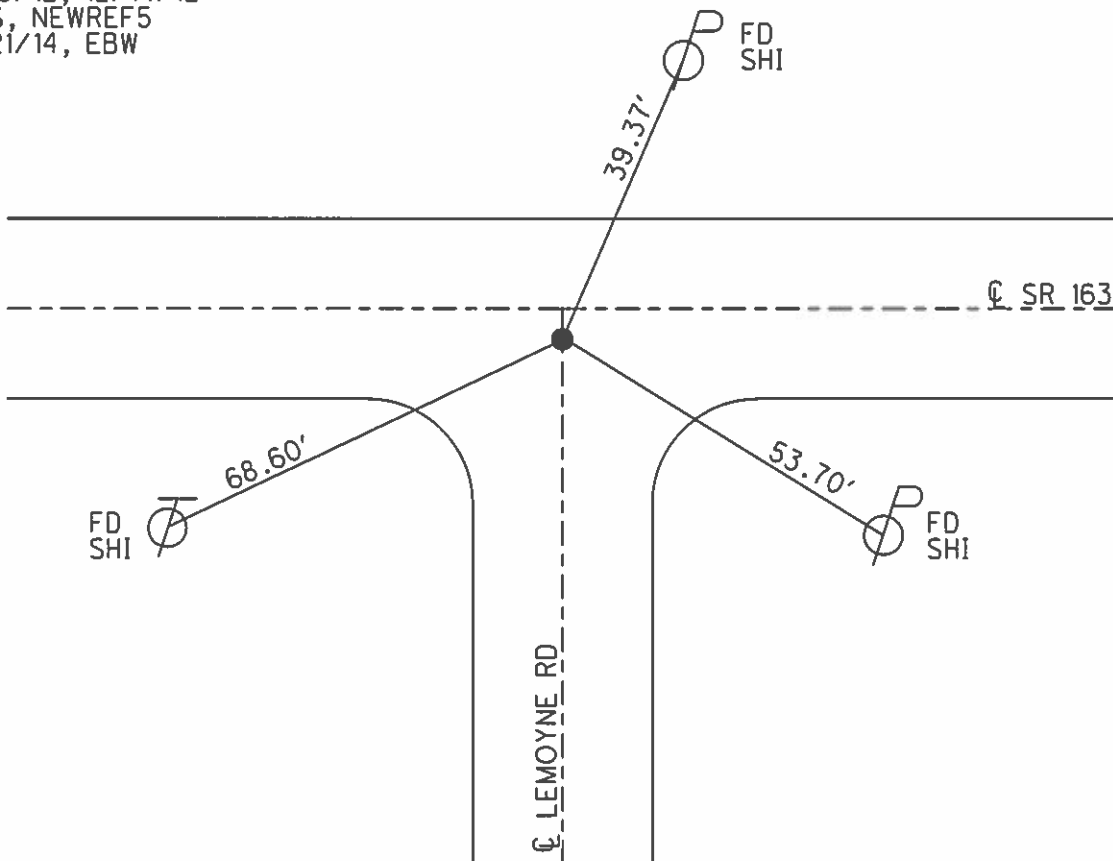
PERSONNEL _____ REFERENCE NO. 5 SHEET 11 OF 21
 NOTES ROUSOS DATE 7/2/13 ROUTE SR 163
 H.C. WESTFALL WEATHER OVERCAST COUNTY WOOD
 R.C. ROUSOS TEMP. 65° TOWNSHIP TROY
 _____ SECTION 4
 _____ T 6 N R 12 E

TYPE MONUMENT SM.R.R.SPIKE
~~ON SURFACE~~ - BELOW 2"
~~LEFT~~ - ℄ PAV'T - RIGHT 3.5'
- TO - EDGE PAVEMENT
 S.L.M. 93+90.56



Grid: Northing: 674820.790 Easting: 1702006.785

RECORD: P.I.
 FD R.R.SPIKE
 5/16/79, 5/16/89
 SET SM.R.R.SPIKE
 8/2/89, IS
 FD SM.R.R.SPIKE
 GPS, REF5
 1/25/12, 12/14/12
 GPS, NEWREF5
 8/21/14, EBW



O.D.O.T. DISTRICT 2 SURVEY OFFICE

PERSONNEL

REFERENCE NO. 5

SHEET 7 OF 14

NOTES 1. Stone

H.C. D. Curtis

R.G. J. Householder

DATE 16 May 89

WEATHER Cloudy

TEMP. 64°

ROUTE SR #163

COUNTY Wood

TOWNSHIP Troy

SECTION 4

T R

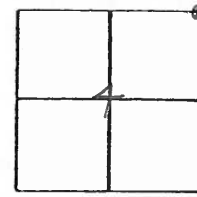
TYPE MONUMENT RR Spk.

ON SURFACE - BELOW 2" deep

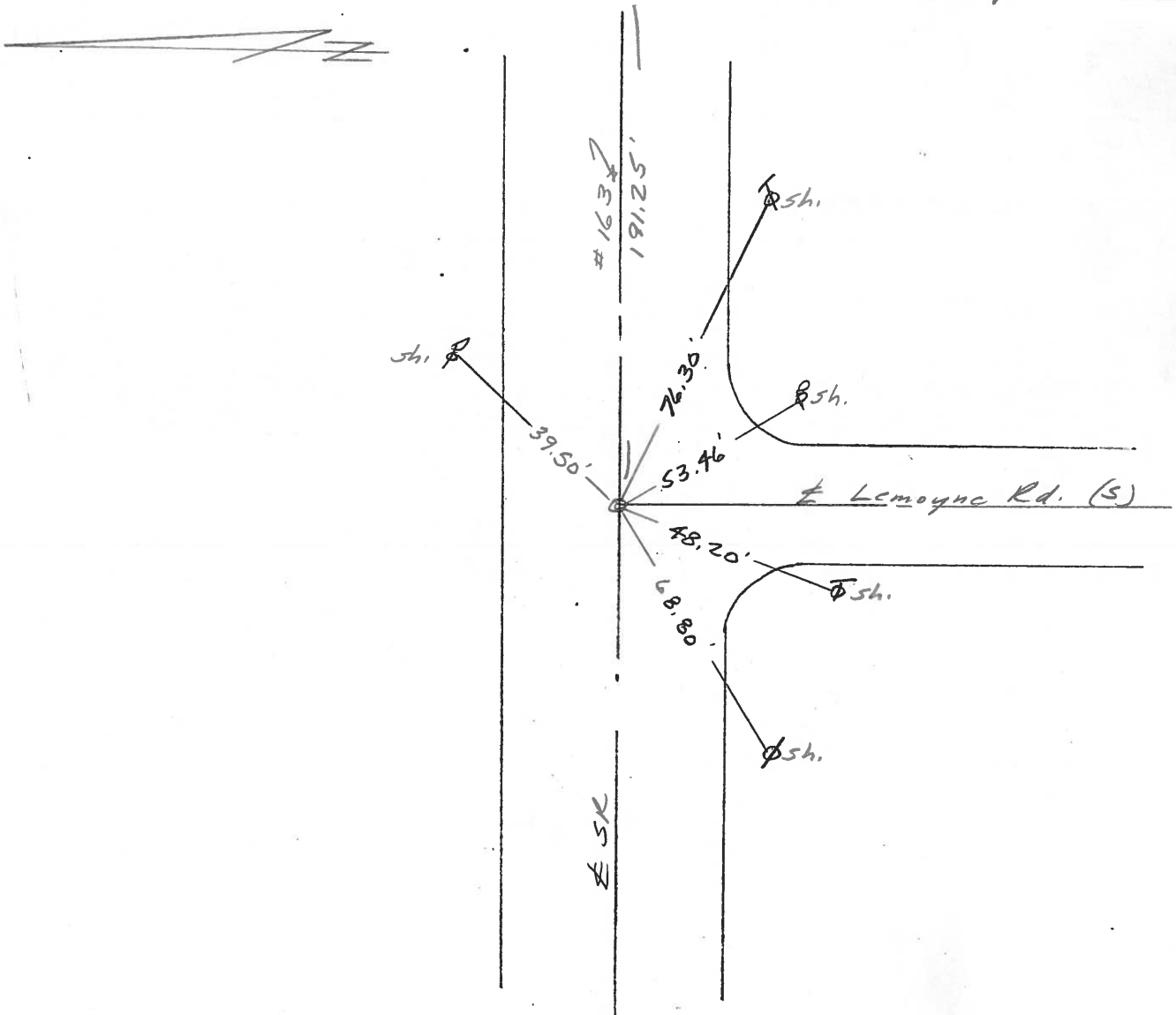
LEFT - \odot PAV'T. - RIGHT

 TO EDGE PAVEMENT

S.L.M. 93+96



SET SM. R.R. SPK. TO SURFACE
8-2-89



County Wood S.R. 163

Date 5/20/81

Township Troy

Weather

Section 4

Temp.

T6N, R12E

Personnel CRONIN

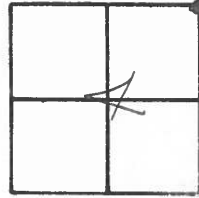
RIPPLE

GEYMAN

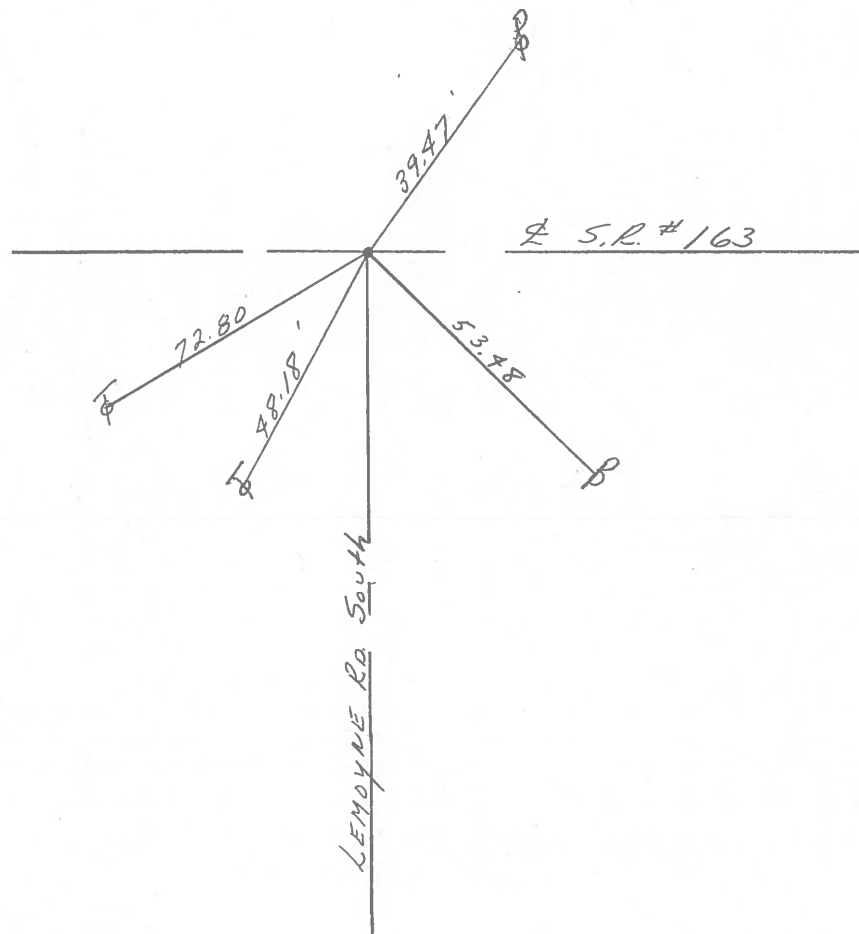
MOSSER

BARBOUR

5



N.E. Sec 4
Reset P.K. atop R.R. spike
2' S of E Point



Q.D.O.T. DISTRICT 2 SURVEY OFFICE

Sht. 4 of

County Wood S.R. 163

Township Troy

Section NW Cor. Sec. 3

T6N, R12E

Personnel Smith

Knape

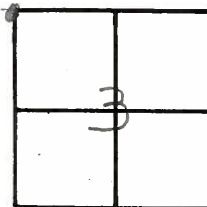
Bowers

Mead

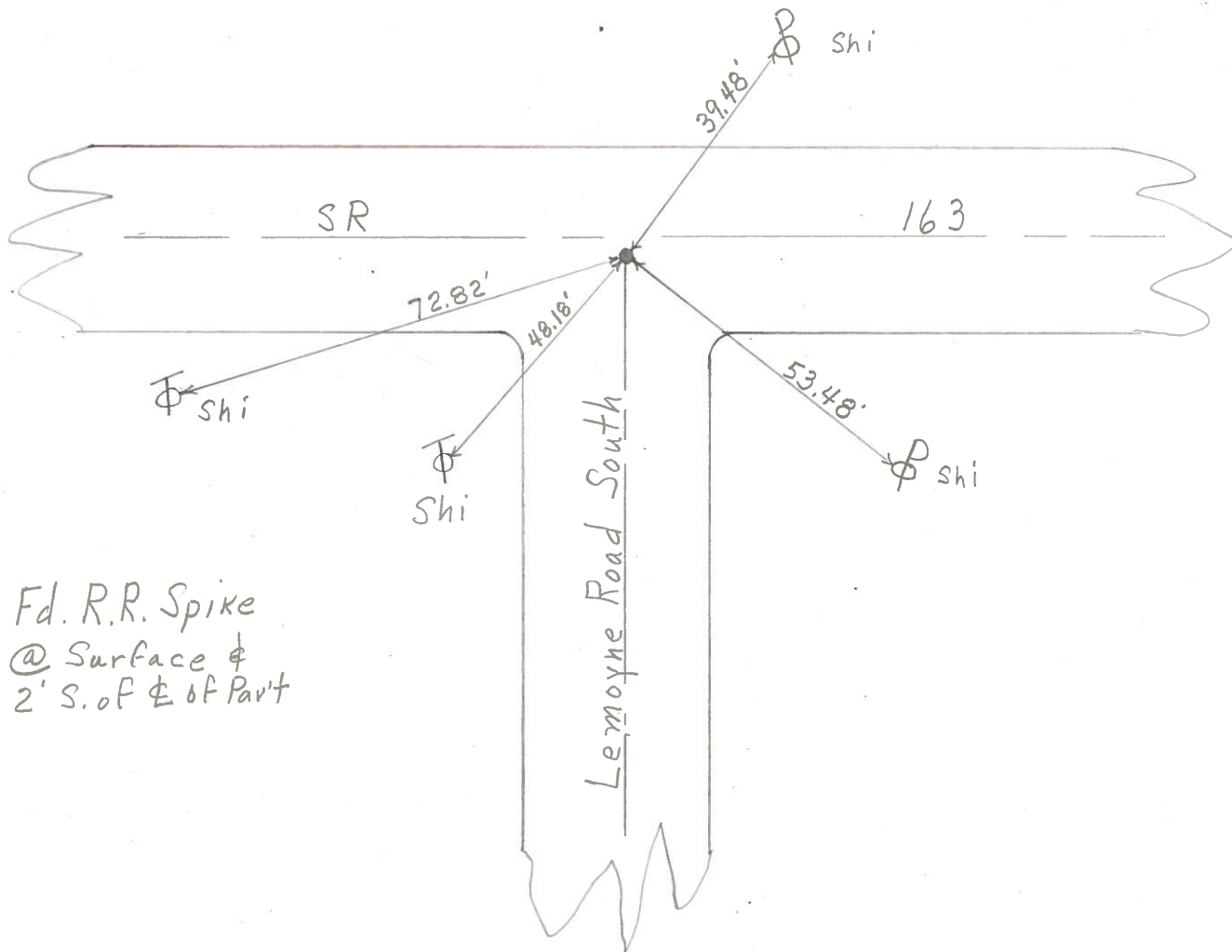
Date 5-16-1979

Weather Clear

Temp. 70°



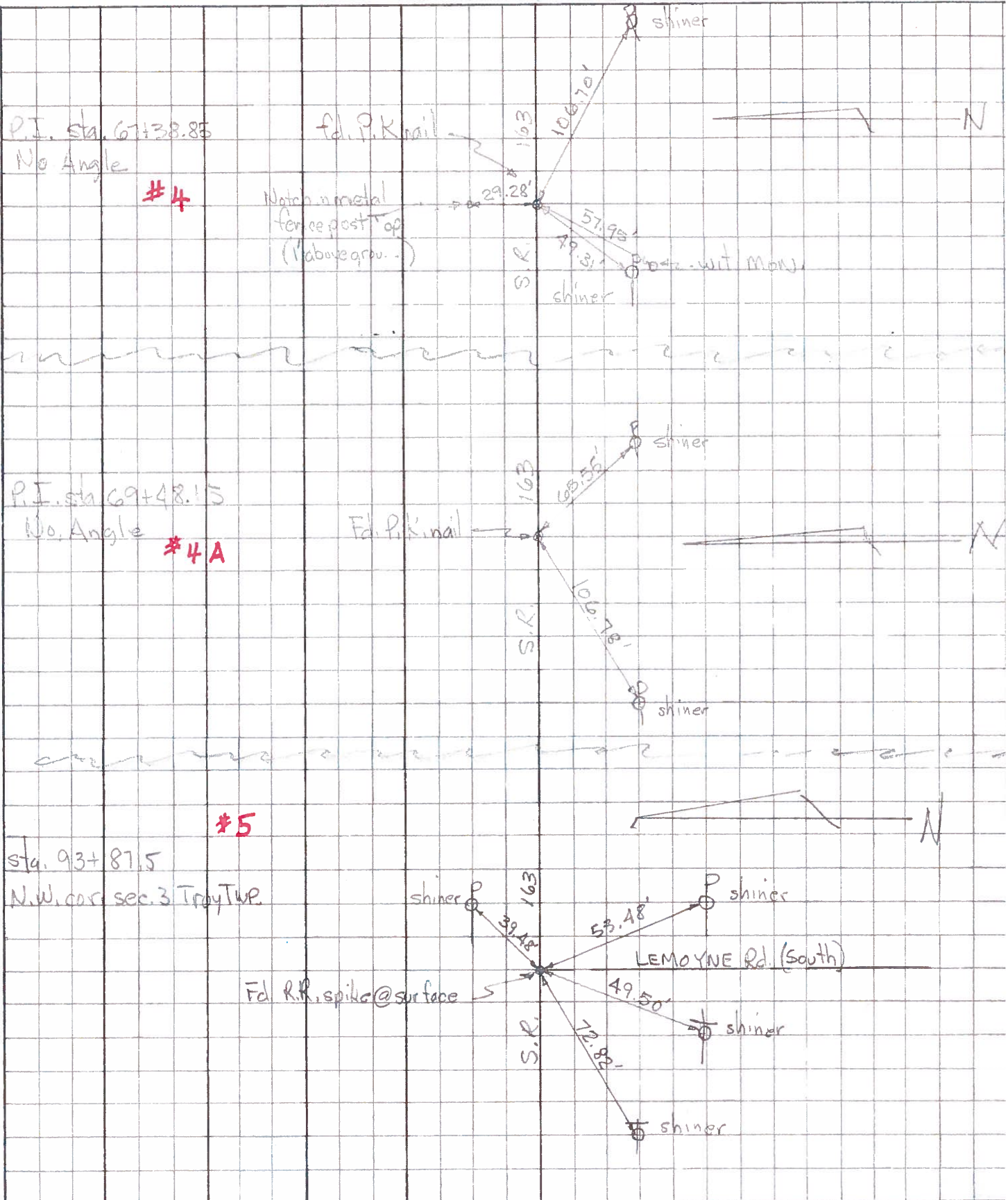
5



PERSONNEL	TITLE	PERSONNEL	TITLE
Tomsic			
Neuser			
Granata			

COUNTY Wood DATE April 10, 197
 S. R. 163 WEATHER _____
 SEC. Troy Twp TEMP. _____

DESCRIPTION _____ LEFT _____ CENTER LINE _____ RIGHT _____ JOB NO. _____



PERSONNEL	TITLE	PERSONNEL	TITLE

COUNTY Wood DATE 1/6/58
 S. R. #163 SWORDEN-4-11-60 WEATHER _____
 SEC. I TEMP. _____

DESCRIPTION _____ LEFT _____ CENTER LINE _____ RIGHT _____ JOB NO. _____

Sta. 93+87.5 (Fd. I. Pin) Shiner in T.P. S.W. 72.
 Iron pin (Lemoyné Rd. South) Shiner in T.P. 49.50' S.S.W. 49.
 N.W. cor. sec. 3 Troy Twp. Shiner in T.P. 76.17 E.S.E. 75.
 on line. Shiner in P.P. 39.50 N.E. 43.
 Iron pin (gone) N. 16.
 Shiner in P.P. S.E. 53.4
5 #321

Sta. 95+78.8 (Fd. I. Pin) Shiner in P. Pole 48.18 N.E. 45.
 P.I. - Iron pin (Lemoyné Rd. North) Shiner in cata/pa 22.25' S.S.W. 35.
 S.W. cor. sec. 34 Lake Twp. Shiner in cata/pa 69.63' N.E. 69.
 Shiner in T.P. S.E. 33.
 95 78.8
 93 87.5
 191.3
6 #322

Sta. 114+33.6 (Fd. I. Pin) Shiner in P.P. N.W. 126.6
 Iron pin 0.45' N. of line ^{48.93} Shiner in T.P. 48.00' S.W. 49.0
 on line. ~~Shiner in cata/pa stump S.E. 36~~
 Iron pin N. 23.
 Cor. post shiner N.N.W. 24.0
 Shiner T.P. E.S.E. 115.33
 (Did not find) ~~47.58~~
7 #323

Sta. 120+37.7 (Expressway) Shiner in P.P. N.E. 84.5
 I. pin 0.45' N. of line Shiner in T.P. S.E. 82.6
 N 1/4 post sec. 3 Troy Twp. Shiner in T.P. S.W. 81.9
 Cata/pa stump S. 27.0
#324 (Did not find)
 1-7-58

Sta. 122+21.3 Conc. marker N.E. 22.5
 Iron stake s 1/4 post Conc. marker N.W. 21.1
 sec. 34, Lake Twp.
 Men Box East Side
#325 (Did not find)
 1-7-58
8

PERSONNEL	TITLE	PERSONNEL	TITLE	COUNTY	DATE
				Wood	1/6/58
				#163	SWORDEN-4-11-60
					WEATHER
				SEC. I	Schneider 3/69
					TEMP.

DESCRIPTION	LEFT	CENTER LINE	RIGHT	JOB NO.
Sta. 93+87.5 +79 Iron pin (Lemoyne Rd. South) N.W. cor. sec. 3 Troy Twp. on line - #321		(Fd. I. Pin) -2' below Fd I. Pin 3-7-69	Shiner in T.P. S.W. 72. Shiner in T.P. 49.50 S.S.W. 47. Shiner in T.P. 76.17 E.S.E. 76. Shiner in P.P. NE. 42. Iron pin (gone) N. 16. PP SE 53.	166.5 166.6 171.1 171.6 172.5
Sta. 95+78.8 +79 P.I. - Iron pin (Lemoyne Rd. North) S.W. cor. sec. 34 Lake Twp. #322		(Fd. I. Pin) 4" below Fd RRSPE 3-7-69	Shiner in P. Pole N.E. 48. Shiner in cata/pa 22.25 S.S.W. 27. Shiner in cata/pa 69.63 N.E. 59. Shiner in T.P. S.E. 38.	
Sta. 114+33.6 Iron pin 0.15' S. of line #323	115+77	(Fd. I. Pin)	Shiner in P.P. N.W. 126.6 Shiner in T.P. 49.00 S.W. 47. Shiner in T.P. S.E. 36. Iron pin N. 23. Cor. post N.N.W. 24. 4 th BLK UP SE. COR MON. 85. " " " NE. " " 82.	
Sta. 120+37.7 I. pin 0.45' N. of line N/4 post sec. 3 Troy Twp. #324 (Did not find) 1-7-58		(Express Way)	Shiner in P.P. N.E. 84.5 Shiner in T.P. S.E. 82.6. Shiner in T.P. S.W. 81.90 Catalpa stump S. 27.0	
Sta. 122+21.3 Iron stake 3/4 post sec. 34, Lake Twp. #325 (Did not find)			Conc. marker N.E. 22.3 Conc. marker N.W. 21.1	

8

PERSONNEL	TITLE	PERSONNEL	TITLE	COUNTY	DATE
				Wood	1/6/58
				S. R. #163	SWORDEN-4-11-60
				SEC. I	WEATHER
					TEMP.

DESCRIPTION	LEFT	CENTER LINE	RIGHT	JOB NO.
Sta. 93+87.5 Iron pin (Lemoigne Rd. South) N.W. cor. sec. 3 Troy Twp. on line.	#321	(Fd. I. Pin)	Shiner in T.P. S.W. 72.8 Shiner in T.P. 49.50' S.S.W. 49.0 Shiner in T.P. 76.17 E.S.E. 76.0 Shiner in P.P. N.E. 43.0 Iron pin (gone) N. 16.0	
5				
Sta. 95+78.8 P.I. - Iron pin (Lemoigne Rd. North) S.W. cor. sec. 34 Lake Twp.	#322	(Fd. I. Pin)	Shiner in P. Pole N.E. 45.6 Shiner in catalpa 22.25' S.S.W. 22.4 Shiner in catalpa 69.63' N.E. 69.0 Shiner in T.P. S.E. 33.6	
6				
Sta. 114+33.6 Iron pin 0.1' S. of line 1/16/66	#323	(Fd. I. Pin)	Shiner in P.P. N.W. 126.60 Shiner in T.P. 49.00' S.W. 49.0 Shiner in catalpa stump S.E. 26.0 Iron pin N. 23.0 Cor. post N.N.W. 24.6	
7		(Did not find) 1-7-58		
Sta. 120+37.7 I. pin 0.45' N. of line N/4 post sec. 3 Troy Twp.	#324	(Express Way)	Shiner in P.P. N.E. 84.50 Shiner in T.P. S.E. 82.60 Shiner in T.P. S.W. 81.90 Catalpa stump S. 27.0	
8		(Did not find) 1-7-58		
Sta. 122+21.3 Iron stake 5/4 post sec. 34, Lake Twp. MON BOX East Side EXPWY	#325	(Did not find) 1-7-58	Conc. marker N.E. 22.3 Conc. marker N.W. 21.1	

PERSONNEL	TITLE	PERSONNEL	TITLE	COUNTY St Wood	DATE
				S. R. #163	WEATHER
				SEC.	TEMP.

DESCRIPTION	LEFT	CENTER LINE	RIGHT	JOB NO.
-------------	------	-------------	-------	---------

Sta. 56+26.1 - R.R. Spike 0.5' S. of Line (N.E. Cor. Rd. Tr. 45)
 132.2' W. of S. 1/4 Post Sec. 33 Lake

Wit. { Basswood N.W. 38.25' not in Book
 Ash N.E. 58.9'
 (+) on rock N.W. 21.3'

Sta. 67+38.85 R.R. Spk. on Line (N.E. Cor. Rd. Tr. 46)

4 Wit. { Light Pole S.W. 49.45'
 Fence Post S. 26.45' found Diff. in Book

Sta. 69+48.15 P.I. - I pin S. 1/4 Post Sec. 33 Lake - online.
 (No Witnesses) found Wit. in Book

4A
 5 Sta. 93+87.5 I. Pin - N.W. Cor. Sec. 3 Troy - online
 Wit. I pin 16' N. found Wit. in Book

6 Sta. 95+78.8 P.I. - I. pin - S.W. Cor 34 Lake
 Wit. { Catalpa N.E. 69.70' in Book
 " S.W. 22.00' 4 in Book found

7 Sta. 114+33.6 - I. Pin 0.1' S. of Line
 Wit. { I. Pin North 25' Diff. in Book
 B.O 24" N.E. 62.35' found
 Catalpa S.E. 25.9'

Sta. 120+37.7 - I. pin 0.45' N. of Line - N 1/4 Post Sec. 3 Troy Twp.
 Wit. - Catalpa S. 27'; P.P. N.E. - 84.5' in Book found Diff. in Book

8 Sta. 122+21.3 - I. Stake $\Delta = 0^\circ - 18.5^\circ$ Rt. S. 1/4 Post Sec. 34 Lake Tw
 Wit. { Conc. Mkr. N.E. 22.35'
 " " N.W. 21.18' found in Book