

O.D.O.T. DISTRICT 2 SURVEY OFFICE (USE ONLY)

PERSONNEL

REFERENCE NO. 6 A

SHEET 13 OF 21

NOTES ASTON

DATE 10/12/23

ROUTE SR 163

H.C. NIESE

WEATHER CLOUDY

COUNTY WOOD

R.C. ASTON

TEMP. 60°

TOWNSHIP LAKE

SECTION 34

DWG BY ASTON

PID CHIP SEAL

T 7 N R 12 E

TYPE MONUMENT MAG/WASHER

ON SURFACE - ~~BELOW~~ ON

OFFSET \varnothing PAVEMENT ON LT : RT

- TO - EDGE PAVEMENT

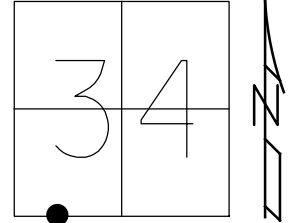
STATION: 107+44.5

HORZ.DATUM: NAD83(2011)

GEOID: NAVD88 2018

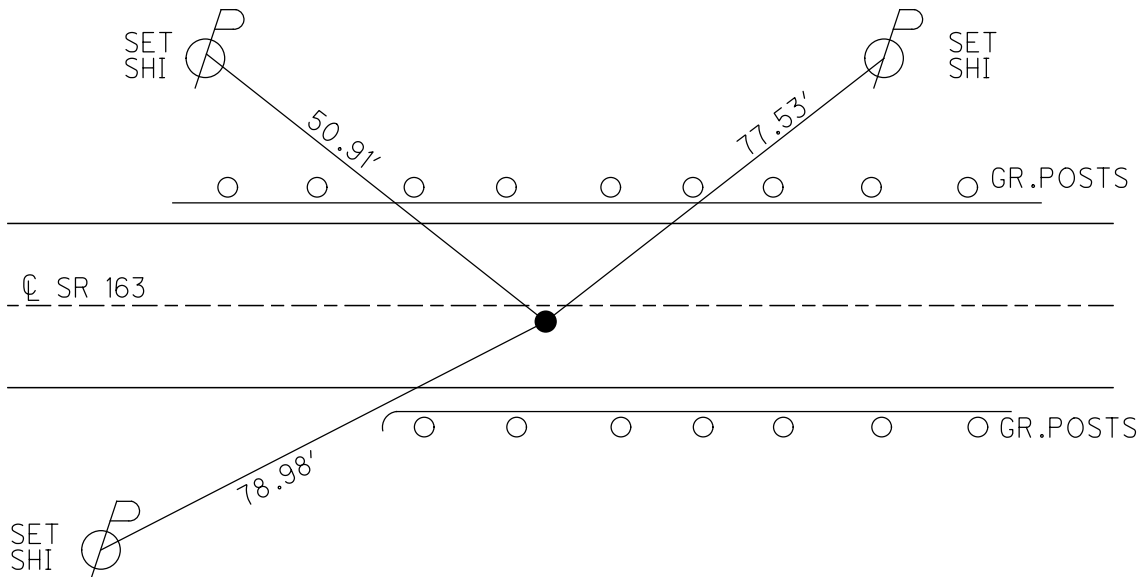
GRID: NORTHING: 674812.083

EASTING: 1703360.627



RECORD:
 FD P.K.NAIL
 5/17/89
 SET P.K.NAIL
 8/2/89, IS
 FD P.K.NAIL
 REFA6
 1/25/12, RJL
 7/2/13, EBW
 SET MAG/WASHER
 NEWREFA6
 8/21/14, EBW
 FD MAG/ WASHER
 REF6A
 6-14-23, JMR
 10-12-23, TDN

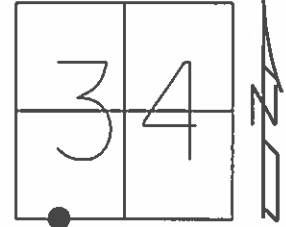
WOOD LDP:
 N: 497325.314
 E: 213845.662



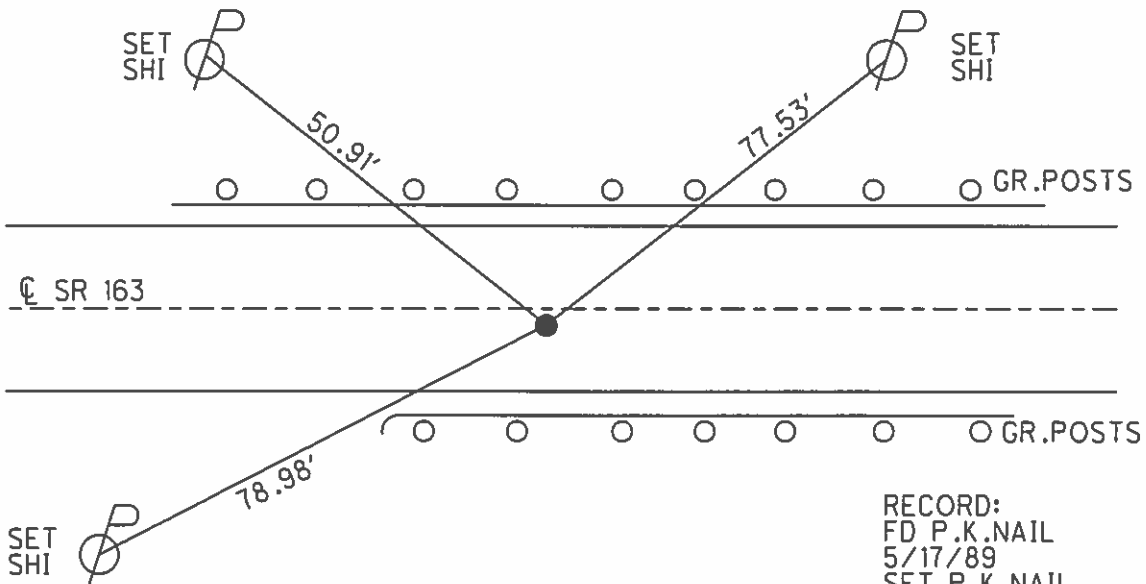
O.D.O.T. DISTRICT 2 SURVEY OFFICE (USE ONLY)

PERSONNEL _____ REFERENCE NO. 6 A SHEET 13 OF 21
 NOTES ROUSOS DATE 7/2/13 ROUTE SR 163
 H.C. WESTFALL WEATHER OVERCAST COUNTY WOOD
 R.C. ROUSOS TEMP. 65° TOWNSHIP LAKE
 _____ SECTION 34
 _____ T 7 N R 12 E

TYPE MONUMENT P.K.NAIL
 ON SURFACE - ~~BELOW~~ ON
~~LEFT~~ - CL PAV'T - RIGHT 2.7'
- TO - EDGE PAVEMENT
 S.L.M. 107+44.5



Grid: Northing: 674812.083 Easting: 1703360.627



RECORD:
 FD P.K.NAIL
 5/17/89
 SET P.K.NAIL
 8/2/89, IS
 FD P.K.NAIL
 GPS, REFA6
 1/25/12, RJL
 SET MAG/WASHER
 GPS, NEWREFA6
 8/21/14, EBW

O.D.O.T. DISTRICT 2 SURVEY OFFICE

PERSONNEL

REFERENCE NO. 6-A

SHEET 9 OF 14

NOTES 1. Stone

H.C. D. Curtis

R.C. J. Householder

DATE 17 May 89

WEATHER Fair

TEMP. 64°

ROUTE SR #163

COUNTY Wood

TOWNSHIP Lake

SECTION 34

T R

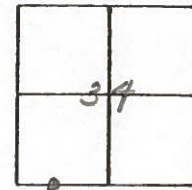
TYPE MONUMENT PK Nail

ON SURFACE - BELOW Surface

LEFT - \odot PAV'T. - RIGHT

 TO EDGE PAVEMENT

S.L.M. 107+50



SET P.K. NAIL TO SURFACE
8-2-89

