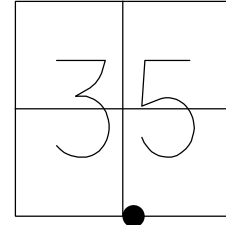


O.D.O.T. DISTRICT 2 SURVEY OFFICE (USE ONLY)

PERSONNEL _____ REFERENCE NO. 10 A SHEET 19 OF 21
 NOTES ASTON DATE 10/12/23 ROUTE SR 163
 H.C. NIESE WEATHER CLOUDY COUNTY WOOD
 R.C. ASTON TEMP. 60° TOWNSHIP LAKE
 DWG BY ASTON PID CHIP SEAL SECTION 35
 T 7 N R 12 E

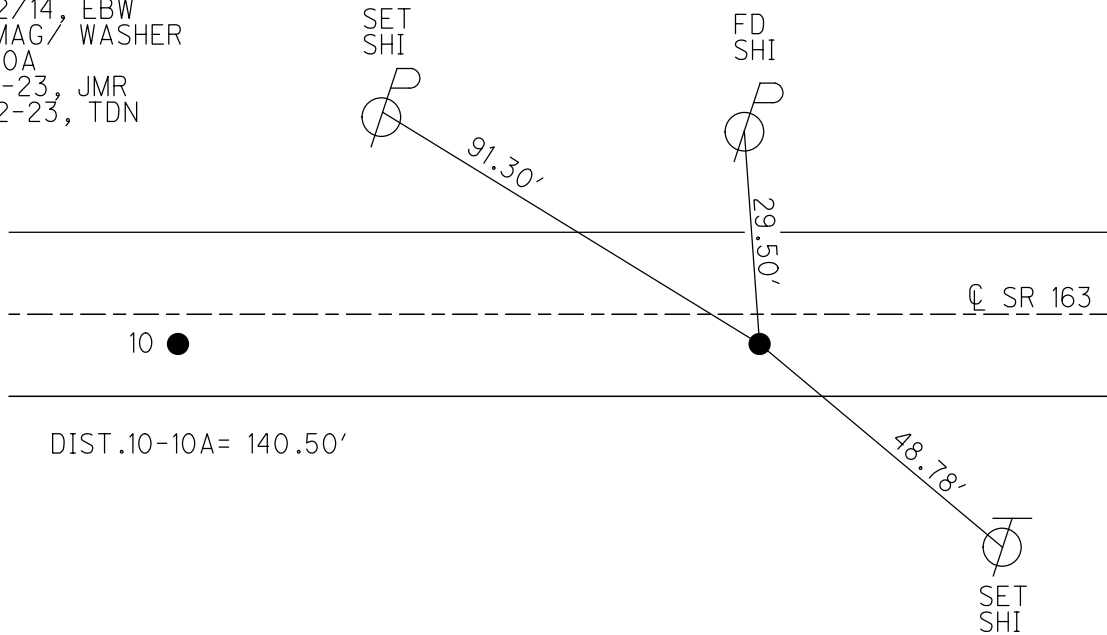
TYPE MONUMENT MAG/WASHER
 ON SURFACE - ~~BELOW~~ ON
 OFFSET \varnothing PAVEMENT 3.8' ~~LT~~ : RT
- TO - EDGE PAVEMENT
 STATION: 175+00.13



HORIZ.DATUM: NAD83(2011) GEOID: NAVD88 2018
 GRID: NORTHING: 674745.071 EASTING: 1710115.875

RECORD:
 FD BOAT SPIKE
 5/17/89
 SET SM.R.R.SPIKE
 8/2/89, IS
 FD SM.R.R.SPIKE
 REFD10
 1/10/12, RJL
 8/5/13, SDC
 SET MAG/WASHER
 NEWREFD10
 8/22/14, EBW
 FD MAG/ WASHER
 REF10A
 6-14-23, JMR
 10-12-23, TDN

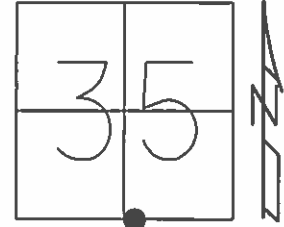
WOOD LDP:
 N: 497347.487
 E: 220601.695



O.D.O.T. DISTRICT 2 SURVEY OFFICE (USE ONLY)

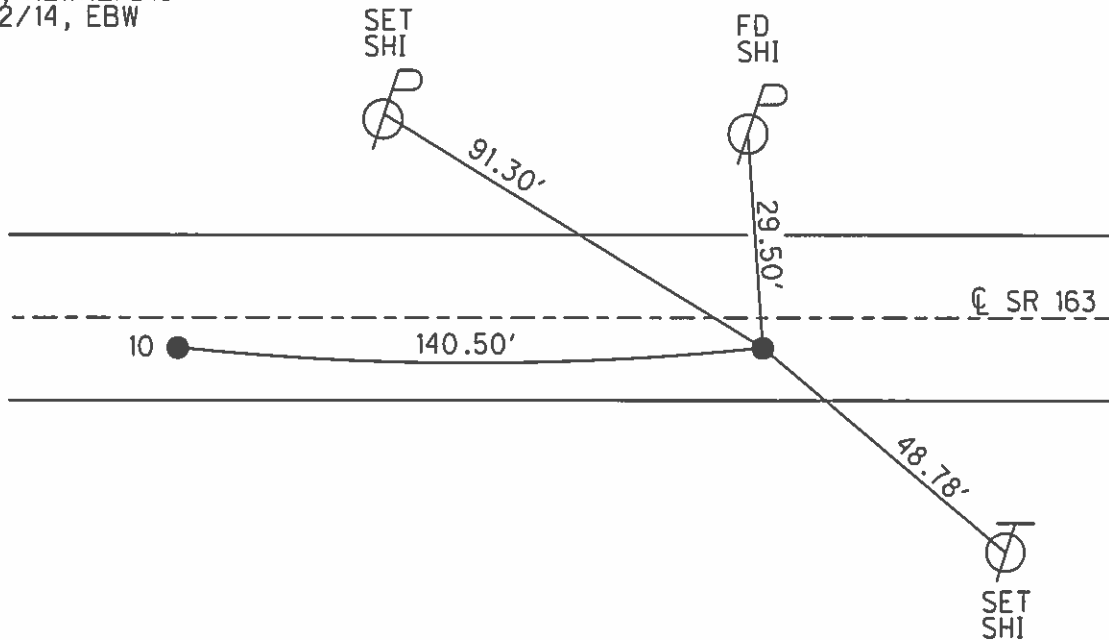
PERSONNEL _____ REFERENCE NO. 10 A SHEET 19 OF 21
 NOTES RHOADES DATE 8/5/13 ROUTE SR 163
 H.C. CODER WEATHER FAIR COUNTY WOOD
 R.C. RHOADES TEMP. 68° TOWNSHIP LAKE
 _____ SECTION 35
 _____ T 7 N R 12 E

TYPE MONUMENT SM.R.R.SPIKE
 ON SURFACE - ~~BELOW~~ ON
~~LEFT~~ - CL PAV'T - RIGHT 3.8'
 - TO - EDGE PAVEMENT
 S.L.M. 175+00.13



Grid: Northing: 674745.071 Easting: 1710115.875

RECORD:
 FD BOAT SPIKE
 5/17/89
 SET SM.R.R.SPIKE
 8/2/89, IS
 FD SM.R.R.SPIKE
 GPS, REFDIO
 1/10/12, RJL
 SET MAG/WASHER
 GPS, NEWREFDIO
 8/22/14, EBW



O.D.O.T. DISTRICT 2 SURVEY OFFICE

PERSONNEL

REFERENCE NO. 10

SHEET 13 OF 14

NOTES 1. Stone

H.C. D. Curtis

R.C. J. Householder

DATE 17 May 89

WEATHER Fair

TEMP. 72°

ROUTE SR # 163

COUNTY Wood

TOWNSHIP Lake

SECTION 35

T R

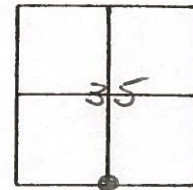
TYPE MONUMENT Bar + Spks (All)

ON SURFACE - BELOW 1 1/2" deep (All)

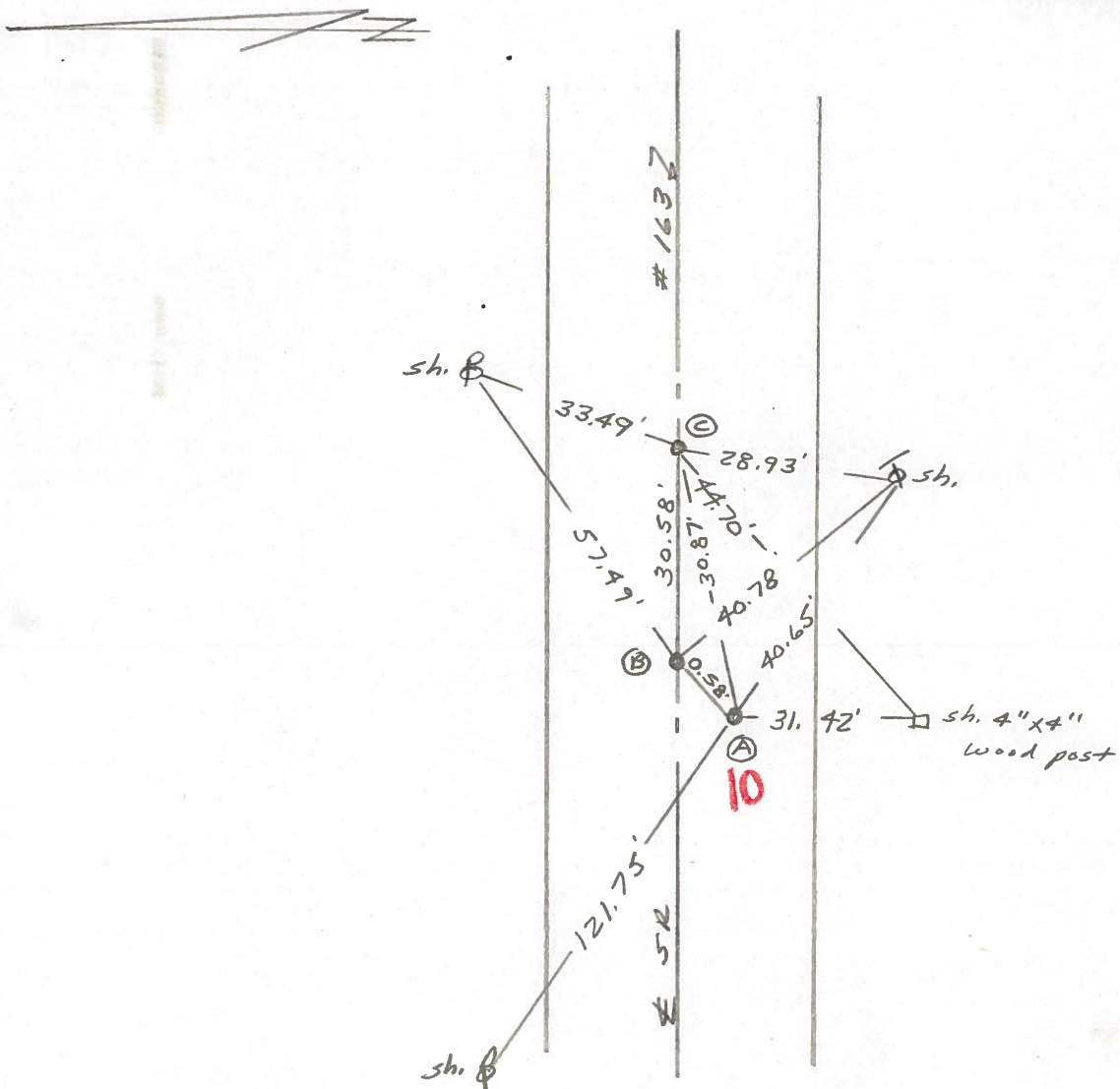
LEFT - PAV'T. - RIGHT

 JO EDGE PAVEMENT

S.L.M. Ⓐ = 173+65, Ⓑ = 173+65.5, Ⓒ = 173+96



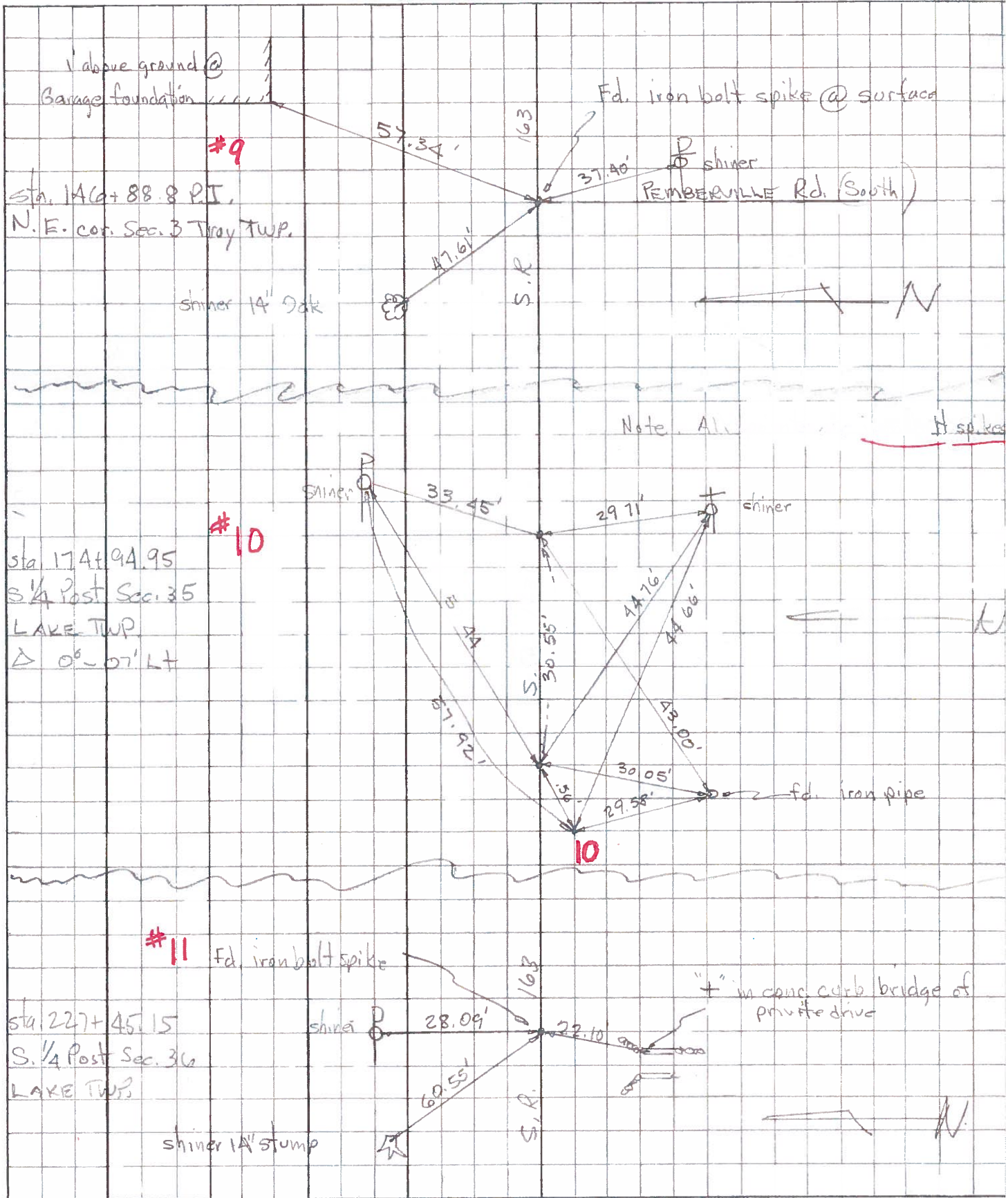
SET SM. R.R. SPK'S AT ALL POINTS
8-2-89



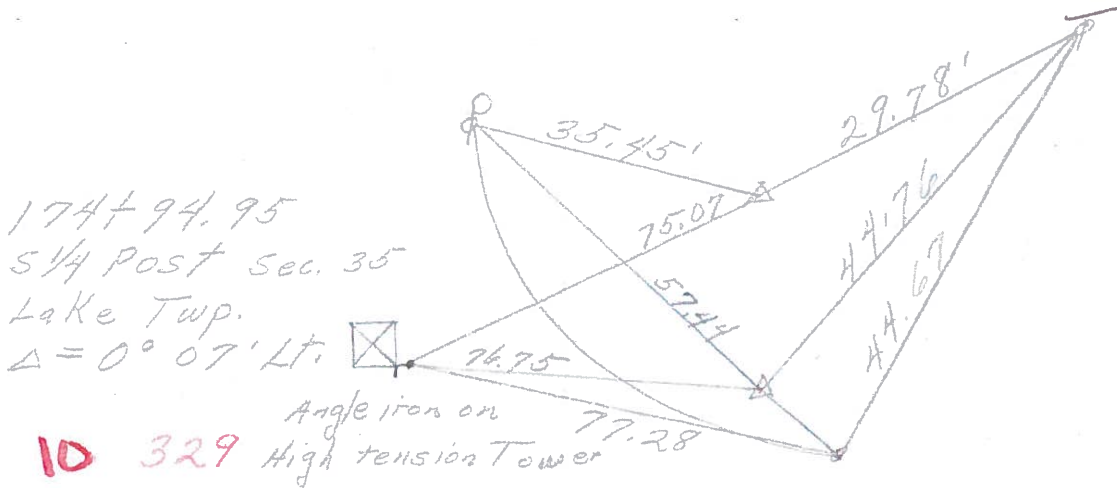
PERSONNEL	TITLE	PERSONNEL	TITLE
Tomsic			
Newser			
Granata			

COUNTY Wood DATE April 11, 1973
 S. R. 163 WEATHER _____
 SEC. _____ TEMP. _____

DESCRIPTION _____ LEFT _____ CENTER LINE _____ RIGHT _____ JOB NO. _____



PERSONNEL	TITLE	PERSONNEL	TITLE	COUNTY	DATE
Schneider				Wood	9-28-76
Mosser				S. R. 163	WEATHER Good
Barbour				SEC. I 280 to Ottawa Co	TEMP. 55°
Geyman				Line	
DESCRIPTION	Ties for Control Points			JOB NO.	
	LEFT	CENTER LINE	RIGHT		

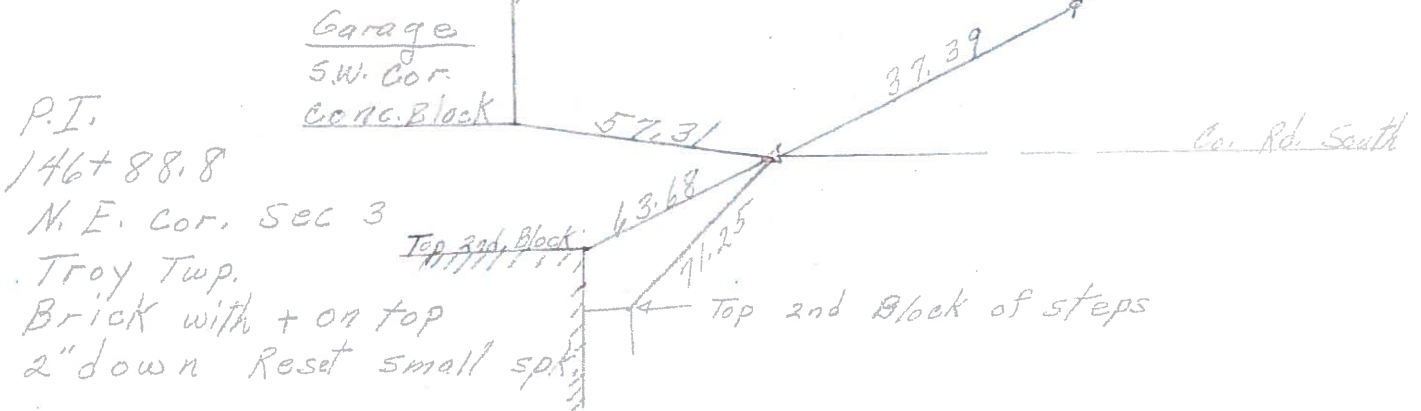


Reset 3 small spk's.

148+53.2 did not find
Co. Rd. North →
 SW. cor Sec 35 Lake Twp. 328

20" Hickory NW. 47
 B.D. 6" S.E. 48.8
 Conc. marker S.E. 25.
 " " SW. 18.0

Ties checked 4-15-46 But stone must have been moved to put in Guard Rail Post



9 327

135+36.55
 Stone on R

△ Did not find 1-7-58

PERSONNEL	TITLE	PERSONNEL	TITLE	COUNTY <u>Wood</u>	DATE <u>1-7-58</u>
				S. R. <u>#163</u>	WEATHER
				SEC. <u>I</u>	TEMP.

DESCRIPTION	LEFT	CENTER LINE	RIGHT	JOB NO.
-------------	------	-------------	-------	---------

Sta. 135+36.55
 Stone - on property line
 (Did not find)
 #326 1-7-58

✓ Sta. 146+88.8
 P.I. N.E. cor. sec. 3 Troy Twp.
 brick with x on top.
 9 #327

Shiner in P.P. S.E. 36.3
 S.W. Cor. of Garage Wall N.E. 57.1
 S.E. cor. of porch wall N.W. 63.1

Sta. 148+53.2
 S.W. cor. sec. 35 Lake Twp.
 Ties check 4/15/46. but
 ✓ stone must have been moved
 to put in Guard rail post
 (Did not find)
 #328 1-7-58

20" Hickory N.W. 47.50
 B.O. 6" S.E. 48.80
 Conc. marker S.E. 25.50
 Conc. marker S.W. 18.0

Found bolt setting to 1/21/66
 Ties are to this point. Morrisson

{ Shiner in P.P. N.W. 27.0'
 Shiner in T.P. S.E. 53.36'
 Shiner in P.P. N.W. 92.80'

Sta. 174+94.95
 S. 1/4 post sec. 35 Lake twp.
 Δ = 0°-07' Lt.

10 #329

Sta. 200+24 (Turnpike)
 P.P. spk in Glass in cel. for Bradner Rd.
 N.W. cor. Sec. 1 Troy Twp.
 #330 (Did not find)
 1-7-58

Shiner in P.P. N.E. 36.00
 N.E. cor. E wall 15.71
 N.W. cor. W. wall 16.75

PERSONNEL	TITLE	PERSONNEL	TITLE	COUNTY	DATE
				Att. Wood	
				S. R. #163	WEATHER
				SEC.	TEMP.

DESCRIPTION	LEFT	CENTER LINE	RIGHT	JOB NO.
-------------	------	-------------	-------	---------

Sta. 135+36.55 - Stone on property line

Wit. { I. Post N. 21.1'
 Conc. Mkr. N.E. 22.3' *No Wit. in Book*
 " " N.W. 21.7'

Sta. 146+88.8 - P.I. - N.E. Cor. Sec 3 Troy Twp. $\Delta = 0^\circ - 04' Lt.$

Found stone-placed brick with (+) on top.
 Wit. { S.E. Cor. Porch wall N.W. 63.7' *in Book*
 9 S.W. " Grage " N. 66.3 found brick

Sta. 148+53.2 S.W. Cor. Sec. 35 Lake Twp. - online

Stone (knife edge) online in bank of ditch
 Hickory 20" N.W. 47.50' Stone must have been moved
 B.O. 6" S.E. 48.8' for Guard Rail post *in Book*
 Wit. { Conc. Mkr. S.E. 25.5'
 " " S.W. 18.0'

Sta. 174+94.95 - P.I. - Drove I. Pin 24' S. of Conc. Mkr.

10 S. 1/4 Post Sec. 35 Lake Twp. No find *in Book*
 Stone not found - $\Delta = 0^\circ - 07' Lt.$

Sta. 200+24 - Set glass knob over stone 25' N. of line

N.W. Cor. Sec. 1 - Troy Twp.
 Wit. { N.E. Cor. E. Wall 15.7' found, Put R.R. Spk on top *in Book*
 N.W. Cor. W. " 16.75' 36.05 N.E.P.P.

Sta. 201+30.35 - Set glass over stone - S.W. Cor. 36 Lake $\Delta = 0^\circ 26'$

{ Conc. Mkr. S.E. 29.5'
 " " S.W. 28.0' found, put iron pin on top *Diff. in Book*
 Cor. Post N.E. 41.9'
 Steel Post N.W. 42.6'
 2'x2' Conc. Post N.W. 40.75'