

O.D.O.T. DISTRICT 2 SURVEY OFFICE (USE ONLY)

PERSONNEL

REFERENCE NO. 11

SHEET 20 OF 21

NOTES ASTON

DATE 10/12/23

ROUTE SR 163

H.C. NIESE

WEATHER CLOUDY

COUNTY WOOD

R.C. ASTON

TEMP. 60°

TOWNSHIP LAKE

SECTION 36

DWG BY ASTON PID CHIP SEAL

T 7 N R 12 E

TYPE MONUMENT MAG/WASHER

ON SURFACE - ~~BELOW~~ ON

OFFSET \varnothing PAVEMENT ON LT : RT

- TO - EDGE PAVEMENT

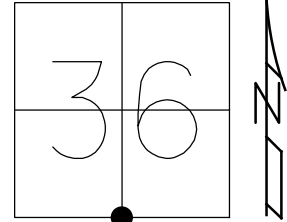
STATION: 229+10.08

HORIZ.DATUM: NAD83(2011)

GEOID: NAVD88 2018

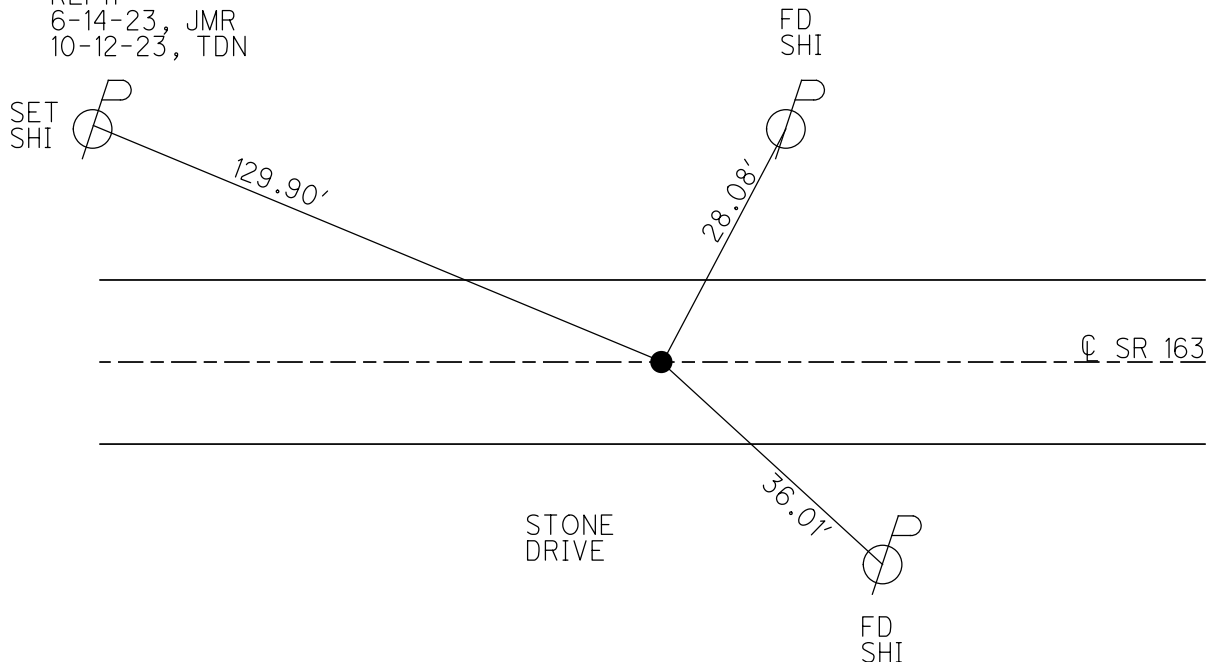
GRID: NORTHING: 674721.497

EASTING: 1715367.328



RECORD:
 FD BOAT SPIKE
 2" DEEP, 5/17/89
 SET SM.R.R.SPIKE
 8/2/89, IS
 FD SM.R.R.SPIKE
 REF11
 1/25/12, 12/14/12
 7/3/13, EBW
 SET MAG/WASHER
 NEWREF11
 8/22/14, EBW
 FD MAG/WASHER
 REF11
 6-14-23, JMR
 10-12-23, TDN

WOOD LDP:
 N: 497393.309
 E: 225853.374

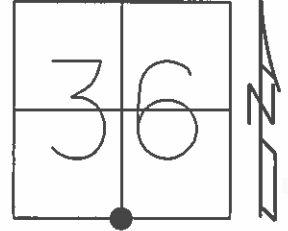


O.D.O.T. DISTRICT 2 SURVEY OFFICE (USE ONLY)

PERSONNEL _____ REFERENCE NO. 11 SHEET 20 OF 21

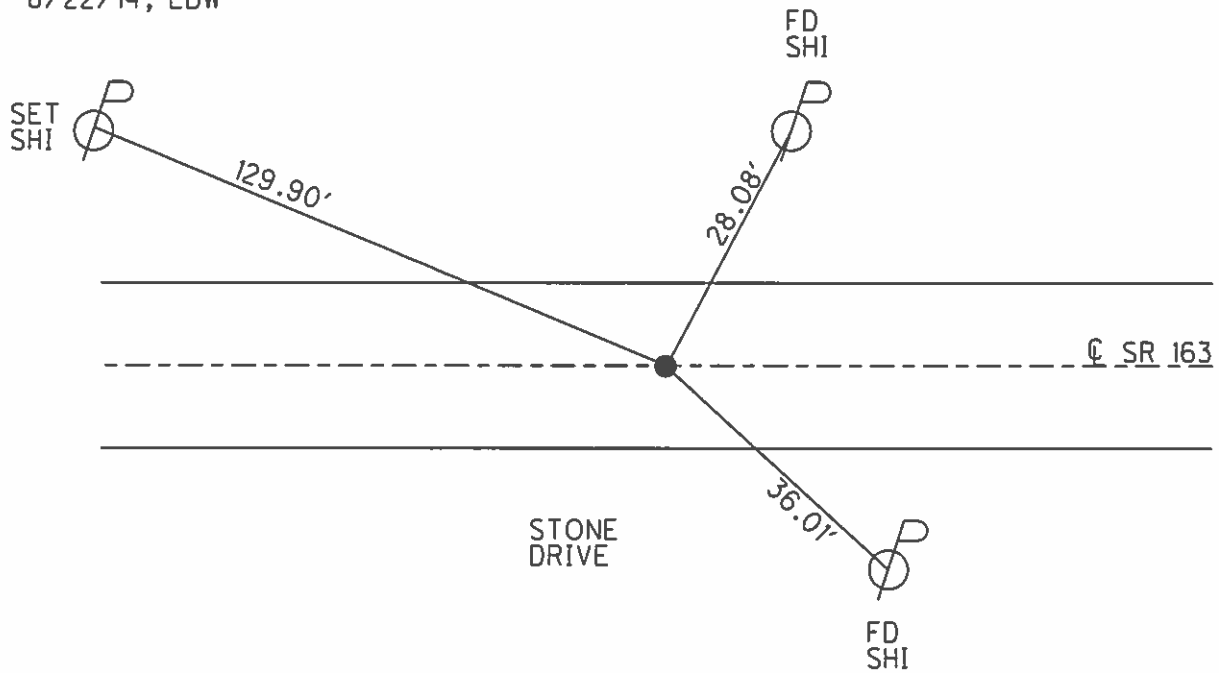
NOTES ROUSOS DATE 7/3/13 ROUTE SR 163
 H.C. WESTFALL WEATHER SUNNY COUNTY WOOD
 R.C. ROUSOS TEMP. 80° TOWNSHIP LAKE
 SECTION 36
 T 7 N R 12 E

TYPE MONUMENT P.K.NAIL
 ON SURFACE - ~~BELOW~~ ON
 LEFT - ☉ PAV'T - RIGHT ON
 - TO - EDGE PAVEMENT
 S.L.M. 229+10.08



Grid: Northing: 674721.497 Easting: 1715367.328

RECORD:
 FD BOAT SPIKE
 2" DEEP. 5/17/89
 SET SM.R.R.SPIKE
 8/2/89, IS
 FD SM.R.R.SPIKE
 GPS, REF11
 1/25/12, 12/14/12
 SET MAG/WASHER
 GPS, NEWREF11
 8/22/14, EBW



O.D.O.T. DISTRICT 2 SURVEY OFFICE

PERSONNEL _____

REFERENCE NO. 11

SHEET 17 OF 14

NOTES 1. Stone

H.C. D. Curtis

DATE 17 May 89

ROUTE SR#163

R.G. J. Household

WEATHER Fair

COUNTY Wood

TEMP. 70°

TOWNSHIP Lake

SECTION 36

T _____ R _____

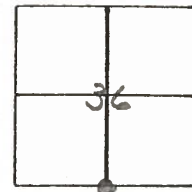
TYPE MONUMENT Boat Spk.

ON SURFACE - BELOW 2" drop

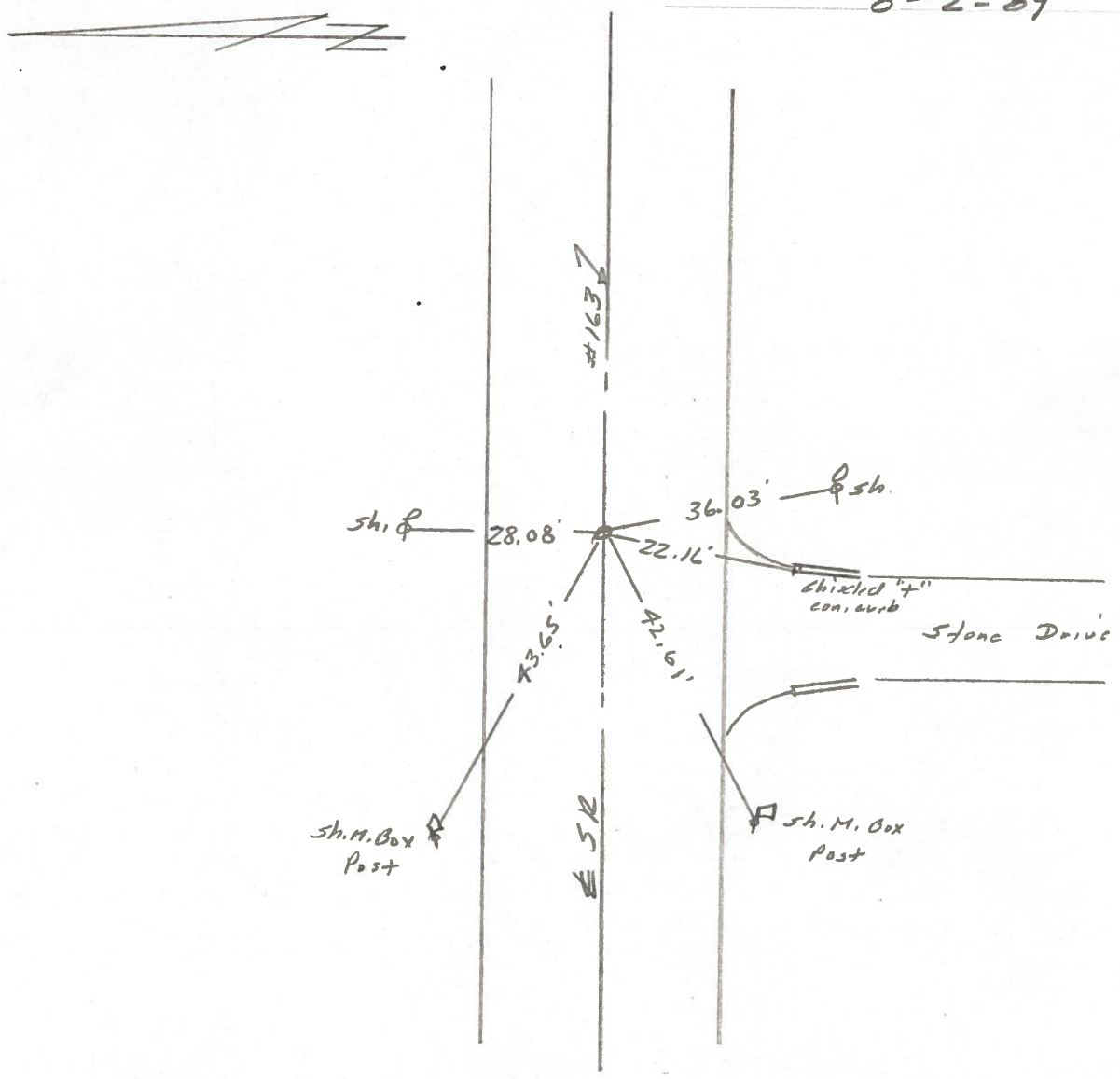
LEFT - & PAV'T. - RIGHT _____

TO _____ EDGE PAVEMENT

S.L.M. 229+02



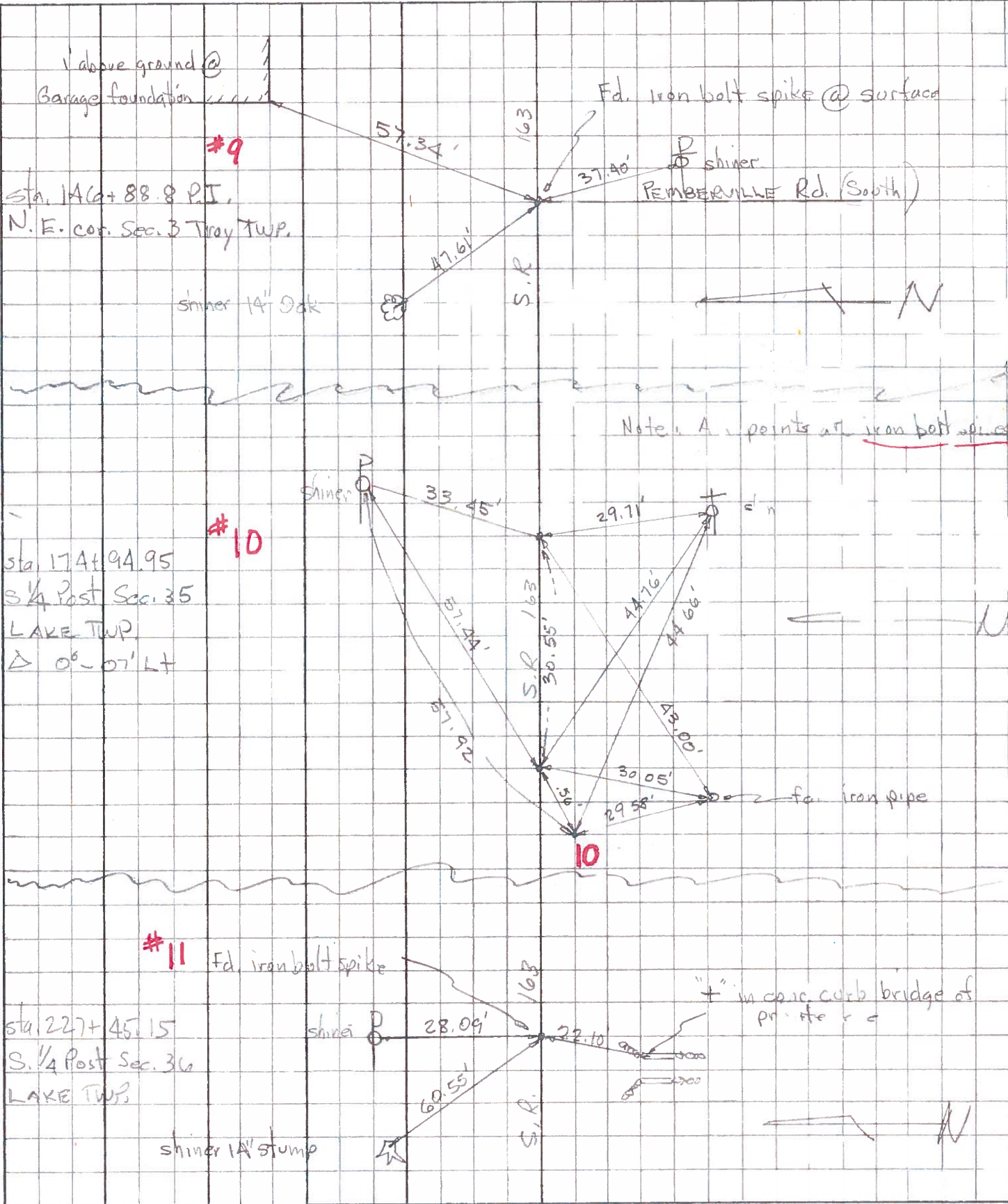
SET SM. P.R. SPK. TO SURFACE
8-2-89



PERSONNEL	TITLE	PERSONNEL	TITLE
Tomsic			
Newser			
Granata			

COUNTY Wood DATE April 11, 1973
 S. R. 163 WEATHER _____
 SEC. _____ TEMP. _____

DESCRIPTION _____ LEFT _____ CENTER LINE _____ RIGHT _____ JOB NO. _____



1' above ground @
 Garage foundation
#9
 Sta. 146+88.8 P.I.
 N.E. cor. Sec. 3 Tray TWP.

Fd. iron bolt spike @ surface
 shiner
 REMBERVILLE Rd. (South)

Sta. 174+94.95
 S. 1/4 Post Sec. 35
 LAKE TWP
 Δ 0°-07' LT

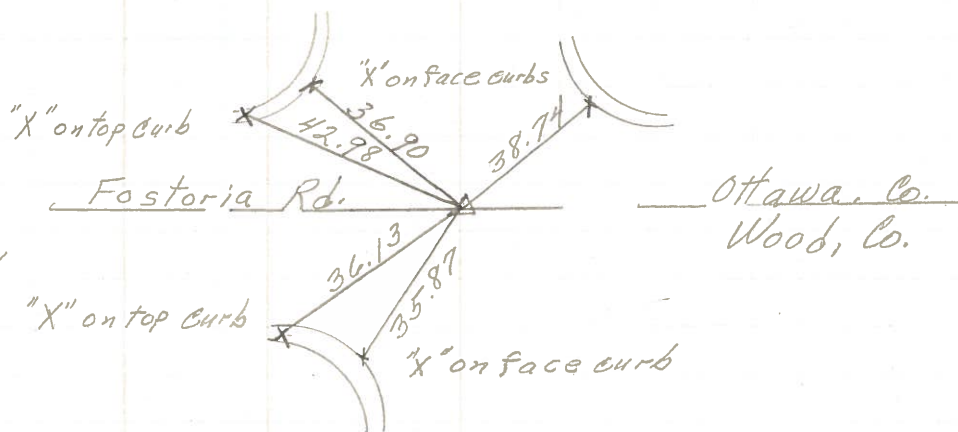
Note: A points at iron bolt spike

#11 Fd. iron bolt spike
 shiner
 Sta. 227+45.15
 S. 1/4 Post Sec. 36
 LAKE TWP
 shiner 14' stump

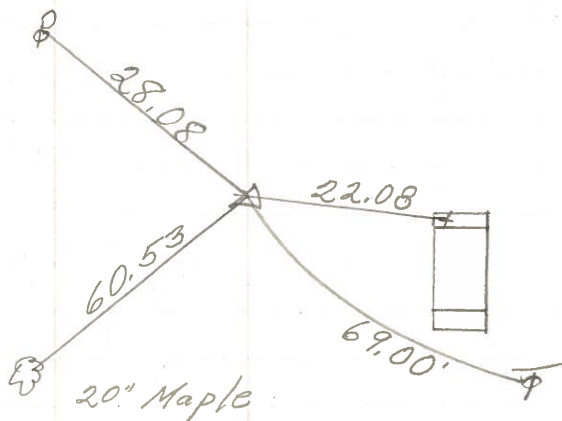
" " in conc. curb bridge of private r/c

PERSONNEL	TITLE	PERSONNEL	TITLE	COUNTY	Wood	DATE	9-28-7
Schneider				S. R.	163	WEATHER	cold
Mosser				SEC.	I-280 to Ott. Co. line	TEMP.	55°
Bordour				DESCRIPTION <u>Ties for control points</u>			
Geyman				LEFT	CENTER LINE	RIGHT	JOB NO.

0+00
 P.K. Nail 3.66'
 Lt. of Joint
333



227+ 45.15
 Iron pin
 S 1/4 post sec. 36
 Lake Twp.
 Reset small spk.
332



201+ 30.35
 Iron pin
 S.W. Cor. Sec 36
 Lake Twp.
331

did not find
 1-7-58

Conc. Mon. S.W. 27.92
 2x2 Conc. post N.E. 40.71
 Guy pole E.S.E. 25.

200+24 **330**
 R.R. Spk. in Glass incalalar
 N.W. Cor. sec. 1 Troy Twp.

Turnpike

P.P. N.E. 36.05
 N.E. Cor. E. Wall 15.7
 N.W. Cor. W. wall 16.7

did not find (1-7-58)

PERSONNEL	TITLE	PERSONNEL	TITLE

COUNTY Wood DATE 1-7-58
 S. R. #163 SWORDEN 4-11-60
 WEATHER _____
 SEC. _____ TEMP. _____

DESCRIPTION	LEFT	CENTER LINE	RIGHT	JOB NO.
-------------	------	-------------	-------	---------

Sta. 201+30.35	(Turnpike)	Conc. mon.	S.W.	27.9
Iron pin	(Bradner rd)	2x2' Conc. post		40.7
S.W. cor. sec. 36 Lake twp.		Shiner in P.P.	N.E.	36.7
		Shiner in Guy pole	E.S.E.	25.1
	#331 (Did not find)			
				1-7-58

found Pin Checked ties 1/20/66		Shiner in T.P. SW		69.00
Sta. 227+45.15	(Fd. I. Pin)	Shiner in P.P.	N.	28.1
Iron pin		Shiner in 14" maple N.W.		61.2
S. 1/4 post sec. 36 Lake Twp.		X-in E. conc. curb. on br. S.S.W.		22.1
	#332			

Sta. 254+11.35				
E.P. spt.				
Wood & Ottawa Co line		S.P. #163		
	#333			

Note:
See sheet #6

PERSONNEL TITLE PERSONNEL TITLE COUNTY Wood DATE 4/15/46
Brubaker _____
Morgan _____ S. R. 163 WEATHER Rain
Morrison _____ SEC. I TEMP. 65°
 DESCRIPTION Ties - From U.S. Rt. #20 to Ottawa Co. Line JOB NO. _____

S.H. 439 - S.R. 163

#332 Sta. 227+45.15 Found Stone from old Ref.; Set Iron pin on surface, 4/1.
 Wit. { P.P.N. 28.80' S. 1/4 post Sec. 36 Lake
 14" Maple N.W. 61.25' || in Book #1
 T.P.S.E. 40.55'

#331 Sta. 201+30.35 found Stone, put iron pin on top; S.W. Cor. Sec. 36 Lake
 Wit. { Conc. Mkr. S.E. > Not in condition for use.
 " " S.W. 27.92'
 2'x2' Conc. post 40.71' in Book #1
 P.P. N.E. 36.79'
 Guy pole E. S.E. 25.12'

#330 Sta. 200+24 found Glass knob, old ties Good. N.W. Cor. Sec. 1 Troy Co.
 Wit. { Set R.R. Spike on surface
 P.P. N.E. 36.05' in Book #1
 N.E. Cor. E. Wall 15.71'
 N.W. Cor. W. Wall 16.25'

#328 Sta. 148+53.2 S.W. Cor. Sec. 35 Lake Twp. (no find)
 Found knife edge stone by the side of guard rail post.
 Ties didn't check. Stone must have been moved during
 construction of Guard fence in Book #1

#327 Sta. 146+88.8 P. 1. N.E. Cor. Sec. 3 Troy Twp, found brick with Cross
 on top, from old ties.
 Wit. { P.P. S.E. 36.36'
 S.W. Cor. Garage Wall 57.15' in Book #1
 S.E. " Porch " 63.7'

9

PERSONNEL TITLE PERSONNEL TITLE

COUNTY ~~OTT~~ Wood

DATE

S. R. #143

WEATHER

SEC.

TEMP.

DESCRIPTION

LEFT

CENTER LINE

RIGHT

JOB NO.

Sta. 227+45.15 - Found stone - Set small stone on top - S. 1/4 Post

Sec. 36 $\Delta = 0^{\circ}00'31''$ Rt,

Wit. } Stone set S. (X) 32' found, Set iron pin on top NOT in Book
" " N. (X) 30' ||

Sta. 254+11.35 - R.R. Spk. - No witnesses, in Book