

O.D.O.T. DISTRICT 2 SURVEY OFFICE (USE ONLY)

PERSONNEL

REFERENCE NO. 22 A

SHEET 5 OF 45

NOTES HUSS  
 H.C. CANTERBURY  
 R.C. HUSS

DATE 8/18/09  
 WEATHER CLOUDY  
 TEMP. 80°

ROUTE SR 199  
 COUNTY WOOD  
 TOWNSHIP PERRY  
 SECTION 4  
 T 3 N R 12 E

DWG BY RHOADES PID 101286

TYPE MONUMENT MAG NAIL

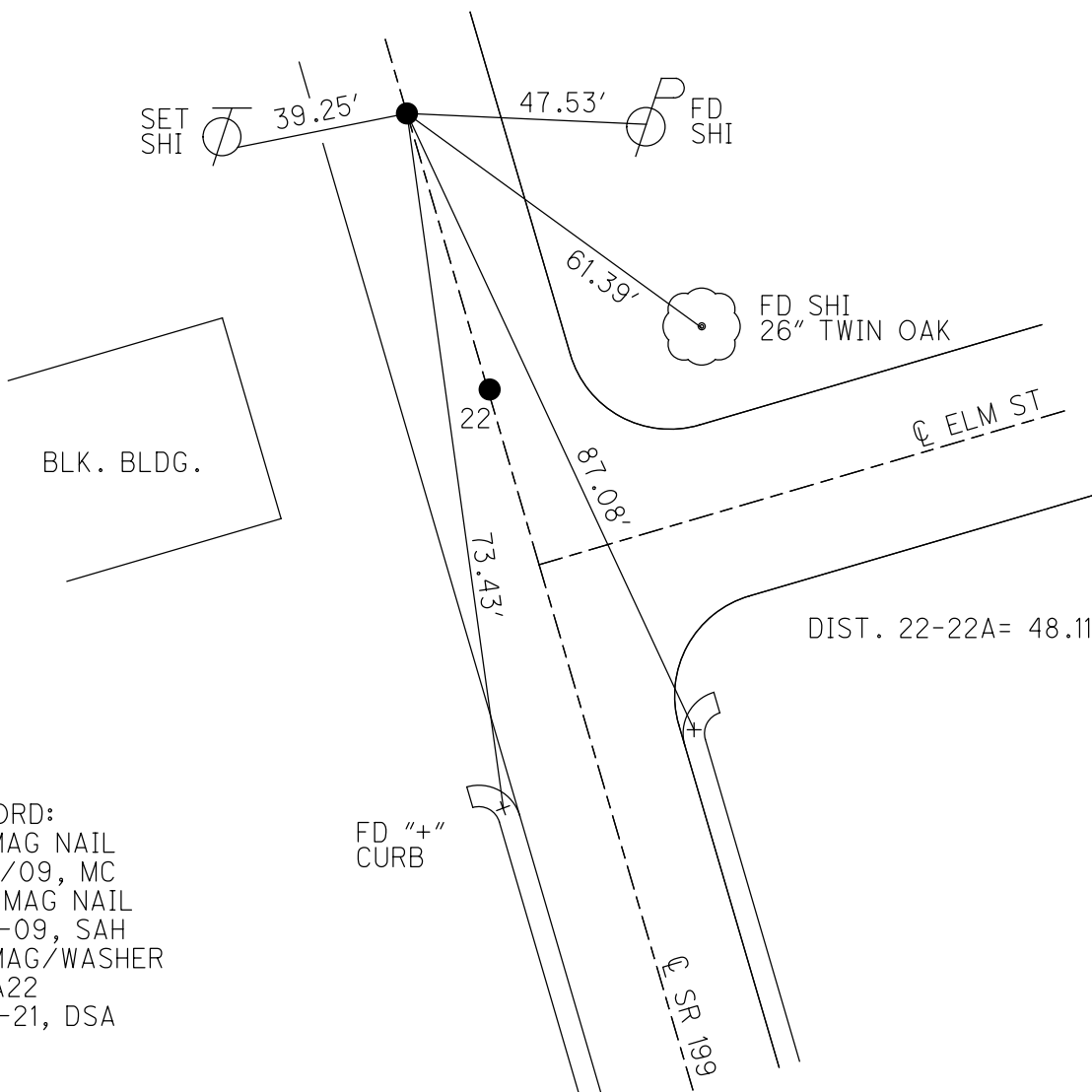
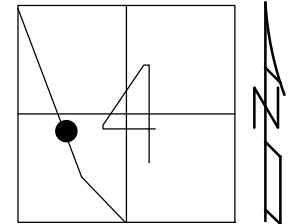
ON SURFACE - ~~BELOW~~ ON \_\_\_\_\_

OFFSET ☉ PAVEMENT ON \_\_\_\_\_ LT : RT  
11.8' TO RT EDGE PAVEMENT

STATION: 358+99

HORZ.DATUM: NAD83(2011) GEOID: 2012A

GRID: NORTHING: 577005.991 EASTING: 1695624.269



RECORD:  
 FD MAG NAIL  
 8/18/09, MC  
 SET MAG NAIL  
 11-12-09, SAH  
 FD MAG/WASHER  
 REFA22  
 9-16-21, DSA

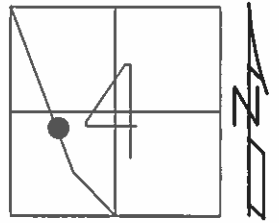
FD "+"  
 CURB

DIST. 22-22A= 48.11

O.D.O.T. DISTRICT 2 SURVEY OFFICE (USE ONLY)

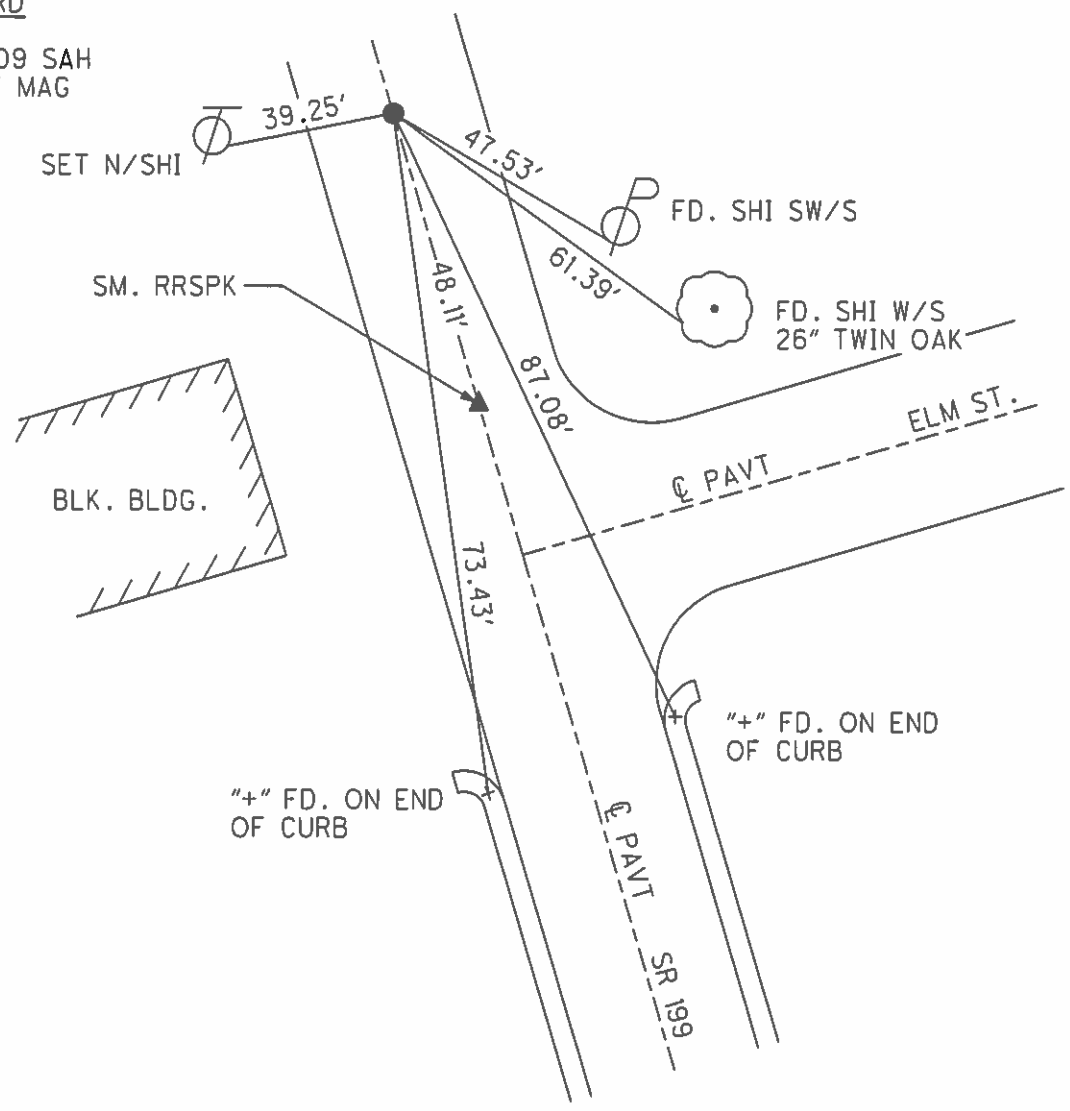
PERSONNEL	REFERENCE NO. <u>22A</u>	SHEET <u>5</u> OF <u>45</u>
NOTES <u>HUSS</u>	DATE <u>08-18-09</u>	ROUTE <u>SR 199</u>
H.C. <u>CANTERBURY</u>	WEATHER <u>CLOUDY</u>	COUNTY <u>WOOD</u>
R.C. <u>HUSS</u>	TEMP. <u>80° F</u>	TOWNSHIP <u>PERRY</u>
		SECTION <u>4</u>
		T <u>3</u> N R <u>12</u> E

TYPE MONUMENT MAG  
 ON SURFACE - ~~BELOW~~ ON  
~~LEFT~~ - Q PAV'T - ~~RIGHT~~ ON  
11.8' TO RT. EDGE PAVEMENT  
 S.L.M. 358+99  
 Grid: Northing: 577006.001 Easting: 1695624.215



RECORD

11-12-09 SAH  
 RESET MAG



O.D.O.T. DISTRICT 2 SURVEY OFFICE (USE ONLY)

PERSONNEL \_\_\_\_\_

REFERENCE NO. 22A

SHEET 2 OF 42

NOTES HUSS

DATE 08-18-09

ROUTE SR 199

H.C. CANTERBURY

WEATHER CLOUDY

COUNTY WOOD

R.C. HUSS

TEMP. 80° F

TOWNSHIP PERRY

SECTION 4

T 3 N R 12 E

TYPE MONUMENT \_\_\_\_\_ MAG \_\_\_\_\_

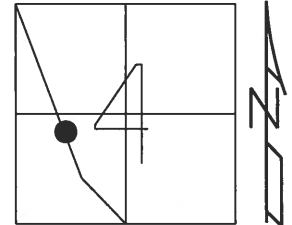
ON SURFACE - ~~BELOW~~ \_\_\_\_\_ ON \_\_\_\_\_

~~LEFT~~ - Q PAV'T - ~~RIGHT~~ \_\_\_\_\_ ON \_\_\_\_\_

11.8' TO RT. EDGE PAVEMENT

S.L.M. 358+99

Grid: Northing: 577006.001 Easting: 1695624.215



RECORD

11-12-09 SAH  
RESET MAG

