

O.D.O.T. DISTRICT 2 SURVEY OFFICE (USE ONLY)

PERSONNEL

REFERENCE NO. 34

SHEET 21 OF 45

NOTES HUSS

DATE 8/20/09

ROUTE SR 199

H.C. CANTERBURY

WEATHER CLOUDY

COUNTY WOOD

R.C. BARNHISEL

TEMP. 81°

TOWNSHIP MONTGOMERY

DWG BY RHOADES PID 101286

SECTION 17

T 4 N R 12 E

TYPE MONUMENT MONBOX

ON SURFACE - ~~BELOW~~ ON

OFFSET \odot PAVEMENT 0.5' LT : ~~RT~~

11.5' TO LT EDGE PAVEMENT

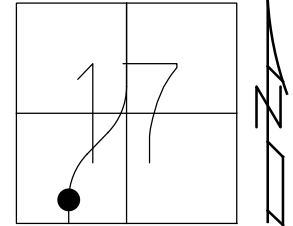
STATION: 558+98

HORZ.DATUM: NAD83(2011)

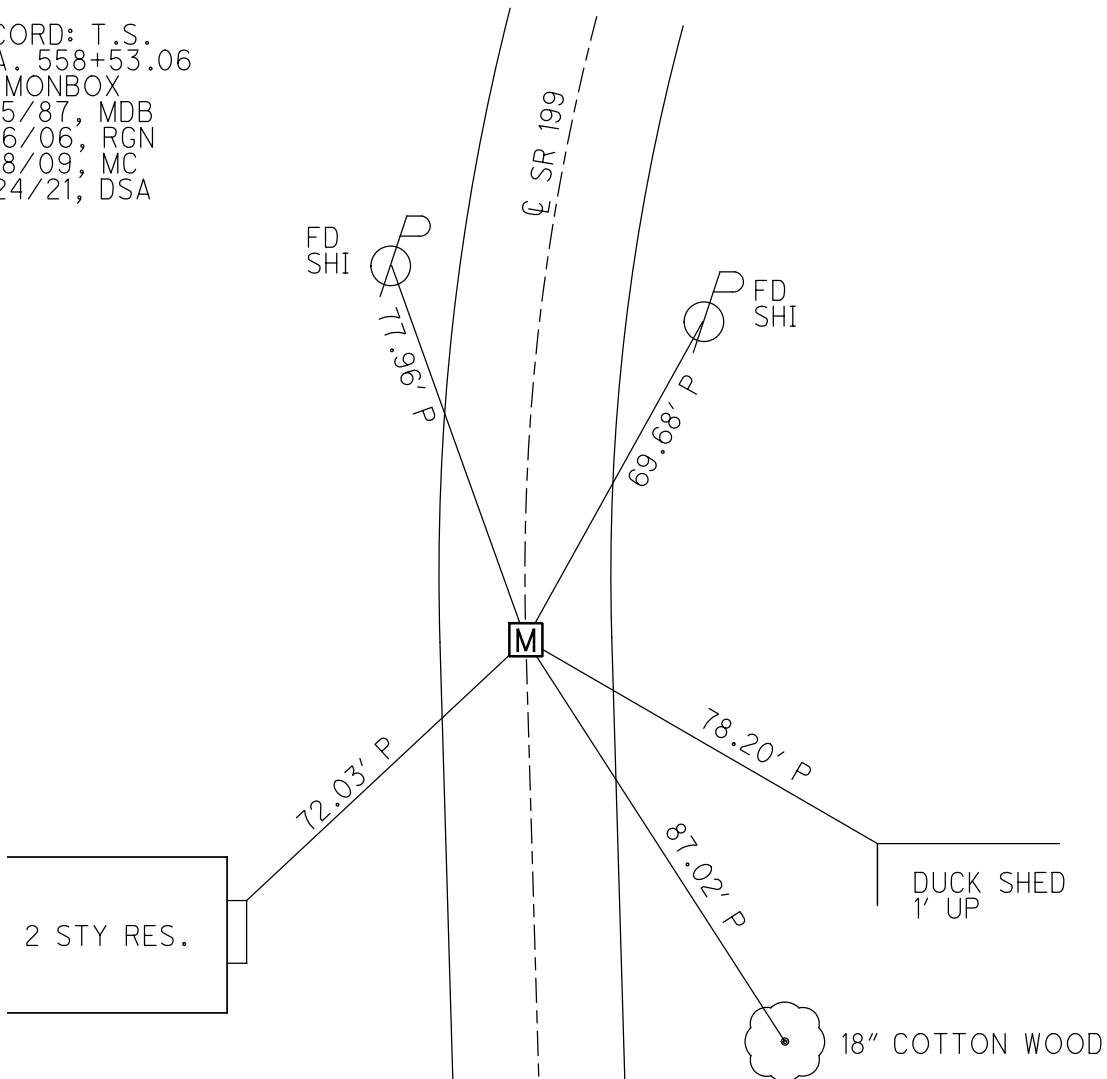
GEOID: 2012A

GRID: NORTHING: 596242.754

EASTING: 1691097.543



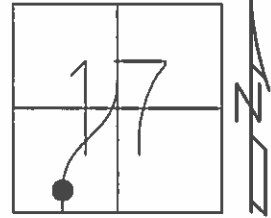
RECORD: T.S.
 STA. 558+53.06
 FD MONBOX
 7/15/87, MDB
 3/16/06, RGN
 8/18/09, MC
 9/24/21, DSA



O.D.O.T. DISTRICT 2 SURVEY OFFICE (USE ONLY)

PERSONNEL	REFERENCE NO. <u>34</u>	SHEET <u>21</u> OF <u>45</u>
NOTES <u>HUSS</u>	DATE <u>08-20-09</u>	ROUTE <u>SR 199</u>
H.C. <u>CANTERBURY</u>	WEATHER <u>CLOUDY</u>	COUNTY <u>WOOD</u>
R.C. <u>BARNHISEL</u>	TEMP. <u>81° F</u>	TOWNSHIP <u>MONTGOMERY</u>
		SECTION <u>17</u>
		T <u>4</u> N R <u>12</u> E

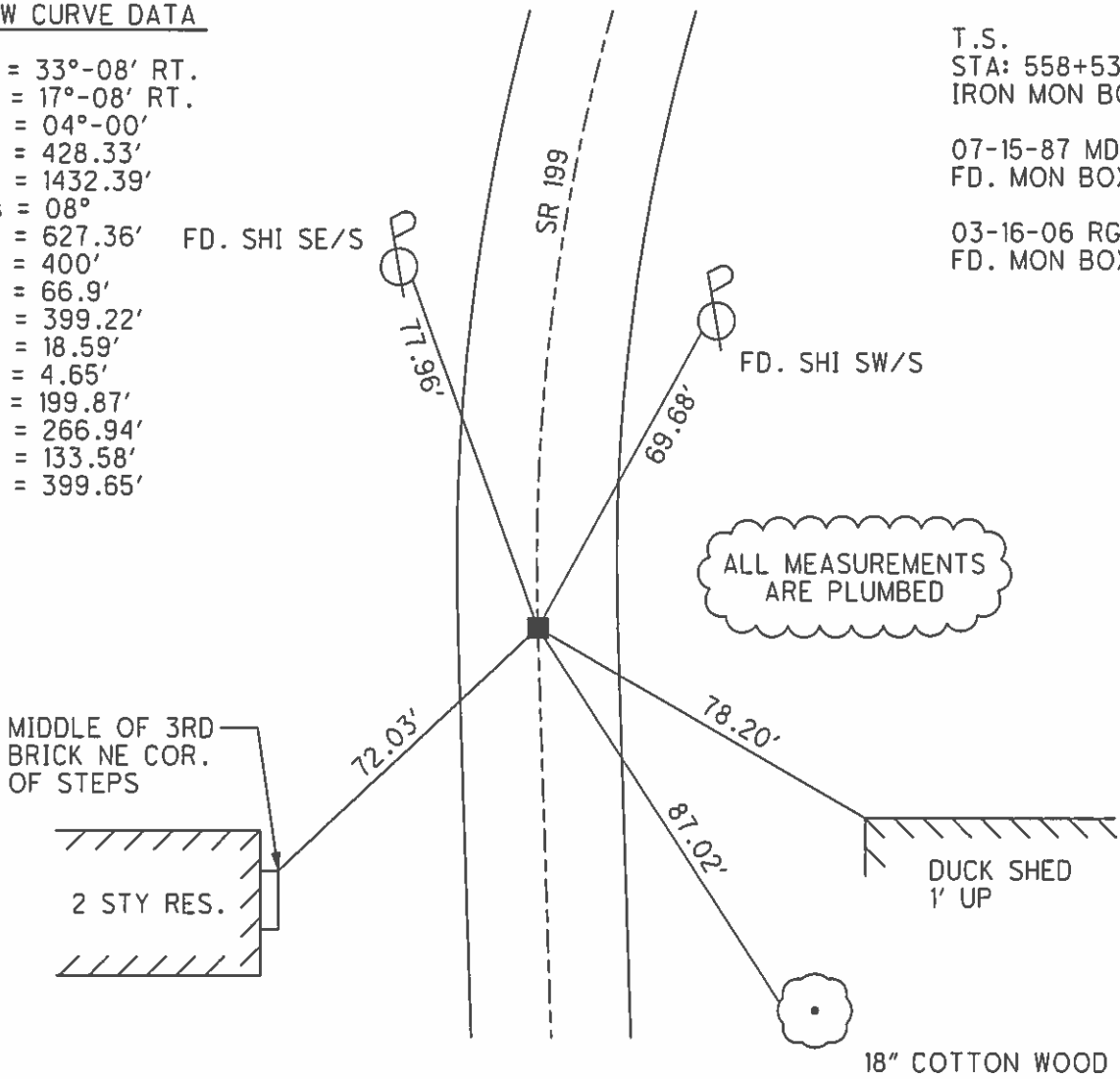
TYPE MONUMENT MON. BOX
 ON SURFACE - ~~BELOW~~ ON
 LEFT - ℄ PAV'T - RIGHT 0.5'
11.5' TO LT. EDGE PAVEMENT
 S.L.M. 558+98
 Grid: Northing: 596242.754 Easting: 1691097.543



RECORD
NEW CURVE DATA

$\Delta = 33^{\circ}-08'$ RT.
 $\Delta_c = 17^{\circ}-08'$ RT.
 DC = $04^{\circ}-00'$
 LC = $428.33'$
 RC = $1432.39'$
 $O_s = 08^{\circ}$
 TS = $627.36'$ FD. SHI SE/S
 LS = $400'$
 ES = $66.9'$
 $X_c = 399.22'$
 $Y_c = 18.59'$
 P = $4.65'$
 K = $199.87'$
 LT = $266.94'$
 ST = $133.58'$
 LC = $399.65'$

RECORD
 T.S.
 STA: $558+53.06$
 IRON MON BOX
 07-15-87 MDB
 FD. MON BOX
 03-16-06 RGN
 FD. MON BOX



ALL MEASUREMENTS
 ARE PLUMBED

O.D.O.T. DISTRICT 2 SURVEY OFFICE

PERSONNEL _____

REFERENCE NO. 34

SHEET _____ OF _____

NOTES BARNHISEL

H.C. Lochake

R.C. HOFFMAN

DATE 7-15-87

WEATHER SUNNY

TEMP. +75°

ROUTE 199

COUNTY WOOD

TOWNSHIP Montgomery

SECTION 17

T 4 N R 12 E

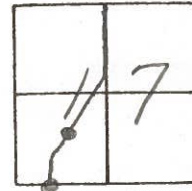
TYPE MONUMENT Mon Boxes

ON SURFACE - BELOW yes

LEFT- & PAV'T. - RIGHT yes

TO Lt EDGE PAVEMENT

S.L.M. 558+98 571+25



T.S.
S.T.

11.5
12.3

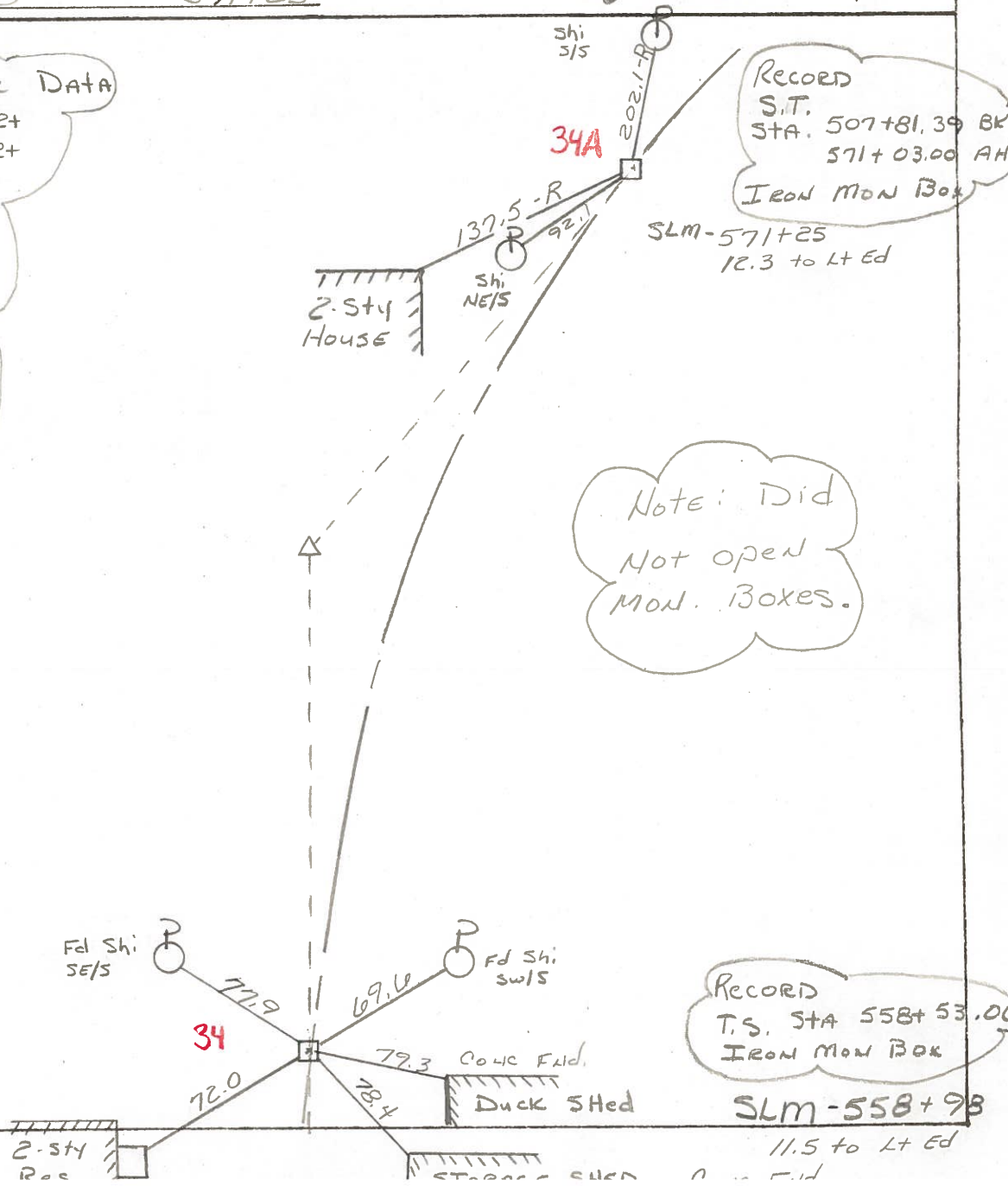
New Curve Data

- A = 33° - 08' Rt
- Δc = 17° - 08' Rt
- Dc = 4° - 00'
- Lc = 428.33'
- Rc = 1432.39'
- Os = 8°
- Ts = 627.36
- Ls = 400'
- Es = 66.9'
- Xc = 399.22
- yc = 18.59
- P = 4.65'
- K = 199.87
- Lt = 266.94
- St = 133.58
- L.C. = 399.65

Record
S.T.
STA. 507+81.39 BK
571+03.00 AH
IRON MON BOX

SLM-571+25
12.3 to Lt Ed

Note: Did
Not open
Mon. Boxes.



RECORD
T.S. STA 558+53.00
IRON MON BOX

SLM-558+98

11.5 to Lt Ed

County WOOD S.R. 199

Township MONTGOMERY

Section 17

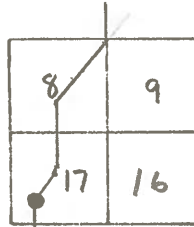
T N, R E

Personnel BURNSIDE
SMITH
BOWERS
HOLCOMBE

Date 9-17-71 (CHKD. 5-25-78)

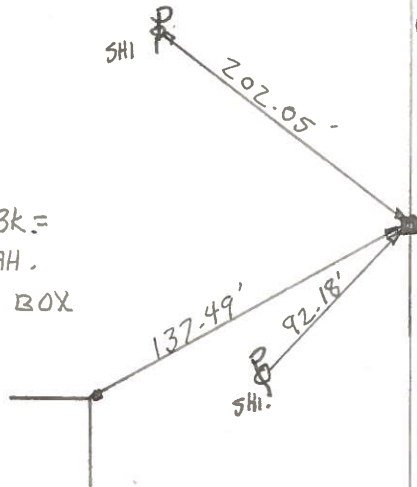
Weather CLEAR

Temp. +67°



#34

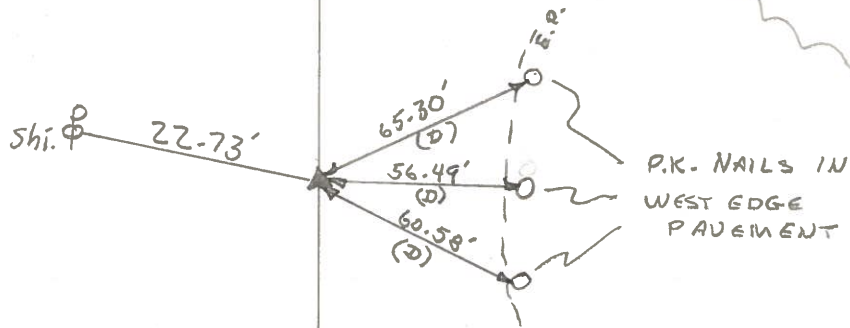
S.T.
 STA. 507+81.39 BK=
 571+03.00 AH.
 IRON MONUMENT BOX



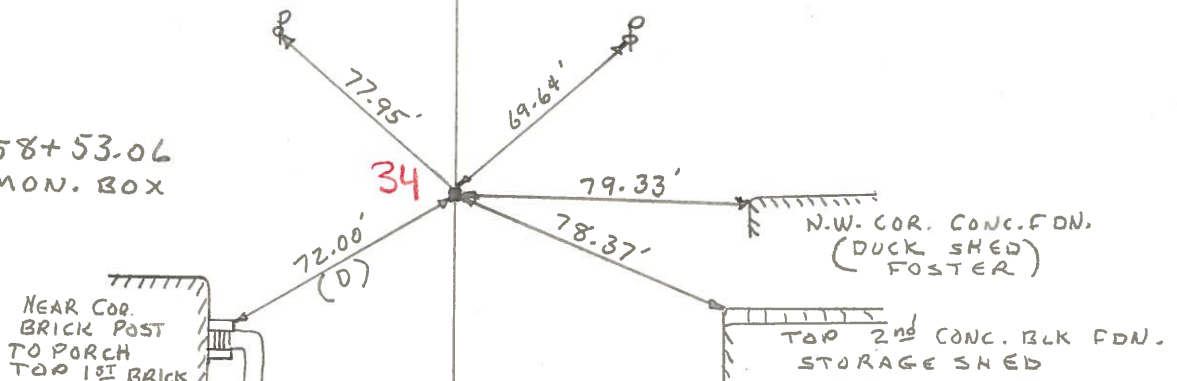
NOTE: ALL MEASUREMENTS WERE TAKEN TO 1" IRON PIN IN MONUMENT BOX WHERE INDICATED AS SUCH.

NEW CURVE DATA:
 A = 330-08' RT. $\theta_s = 8^\circ$
 $\Delta c = 17^\circ-08'$ RT. $T_s = 627.36$
 $D_c = 4^\circ-00'$ $L_s = 400.$
 $L_c = 428.33'$ $E_s = 66.9'$
 $R_c = 1432.39'$ $X_c = 399.22$
 $Y_c = 18.59$
 $P = 4.65'$
 $K = 199.87$
 $LT = 266.94$
 $ST = 133.58$
 $LC = 399.65$

P.I.
 STA. 564+80.42
 CONC. MON.
 $\Delta = 330-08'$ RT.



T.S.
 STA. 558+53.06
 IRON MON. BOX



PERSONNEL	TITLE	PERSONNEL	TITLE	COUNTY	DATE	WEATHER	TEMP.
BURNSIDE				Wood	9-17-71	CLEAR	+67°
SMITH				S. R. 199 (OLD U.S. 23)			
BOWERS				SEC. 1 ST CURVE N. OF MERMILL RD.			
HOLCOMBE							

DESCRIPTION _____ LEFT _____ CENTER LINE _____ RIGHT _____ JOB NO. _____

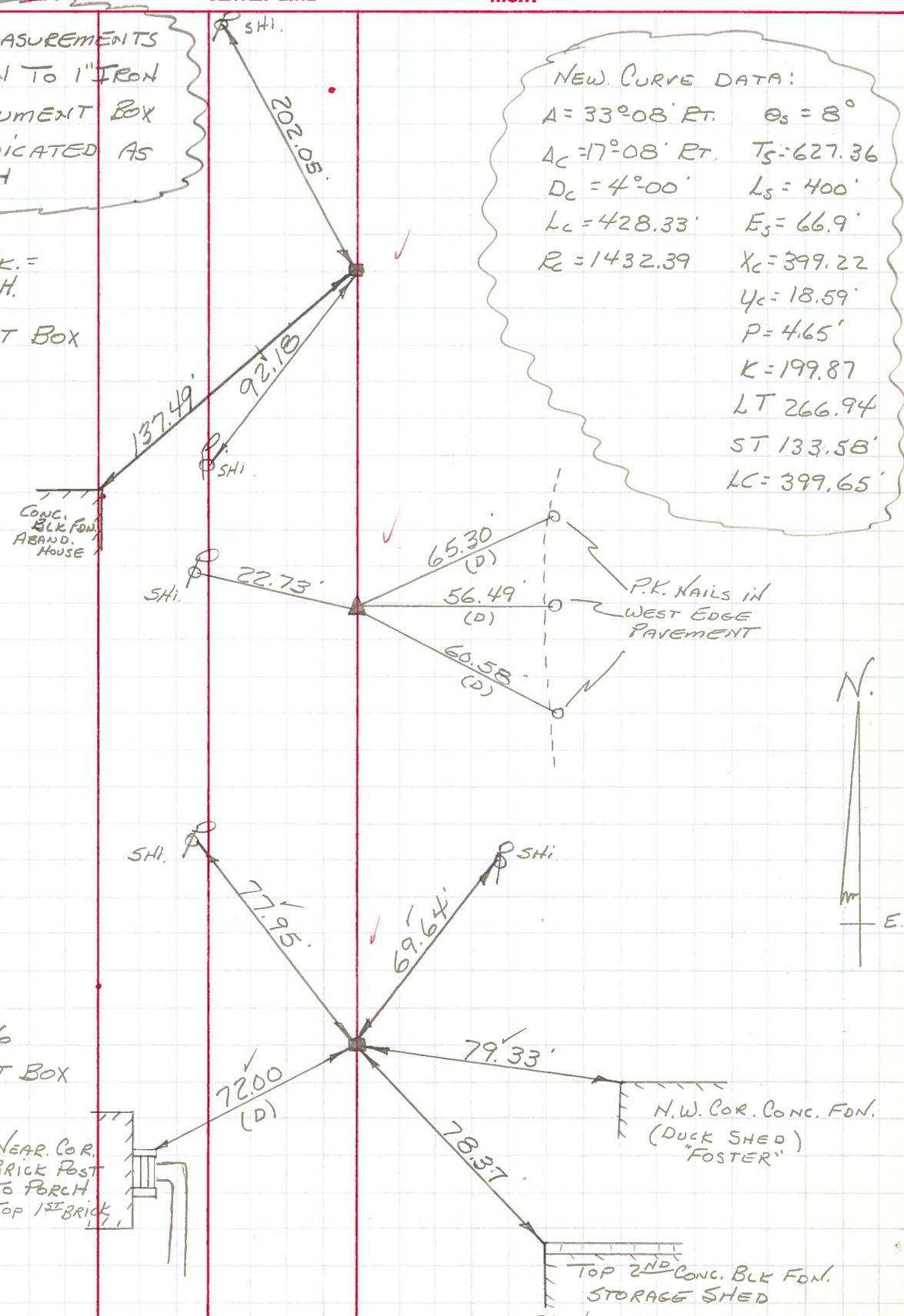
NOTE: ALL MEASUREMENTS WERE TAKEN TO 1" IRON PIN IN MONUMENT BOX WHERE INDICATED AS SUCH

NEW CURVE DATA:
 $A = 33^{\circ}08' RT.$ $\theta_s = 8^{\circ}$
 $A_c = 17^{\circ}08' RT.$ $T_s = 627.36$
 $D_c = 4^{\circ}00'$ $L_s = 400'$
 $L_c = 428.33'$ $E_s = 66.9'$
 $R_c = 1432.39$ $X_c = 399.22$
 $Y_c = 18.59'$
 $P = 4.65'$
 $K = 199.87$
 $LT = 266.94$
 $ST = 133.58'$
 $LC = 399.65'$

S.T.
 STA. 570+81.39 BK. =
 571+03.00 AH.
 IRON MONUMENT BOX
 OK-5-25-78
 R.B.

P.I.
 STA. 564+80.42
 CONC. MON.
 $A = 33^{\circ}08' RT.$

T.S.
 STA. 558+53.06
 IRON MONUMENT BOX
 OK 5-25-78
 R.B.
 NEAR COR. BRICK POST TO PORCH TOP 1ST BRICK



CONC. BLK FDN. ABAND. HOUSE

P.K. NAILS IN WEST EDGE PAVEMENT

N.W. COR. CONC. FDN. (DUCK SHED) "FOSTER"

TOP 2ND CONC. BLK FDN. STORAGE SHED