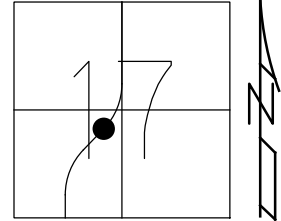


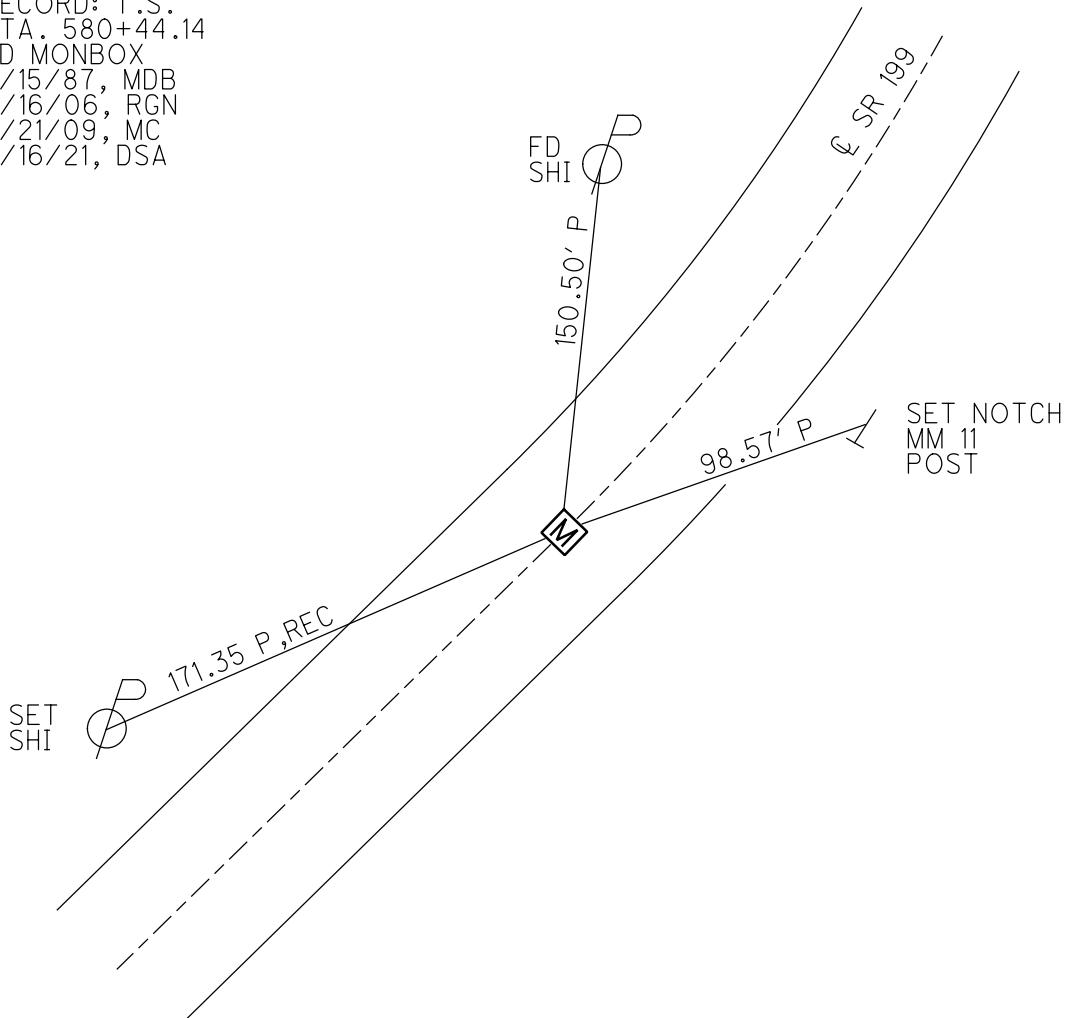
O.D.O.T. DISTRICT 2 SURVEY OFFICE (USE ONLY)

PERSONNEL _____ REFERENCE NO. 35 SHEET 23 OF 45
 NOTES HUSS DATE 8/21/09 ROUTE SR 199
 H.C. CANTERBURY WEATHER SUNNY COUNTY WOOD
 R.C. HUSS TEMP. 84° TOWNSHIP MONTGOMERY
 DWG BY RHOADES PID 101286 SECTION 17
 T 4 N R 12 E

TYPE MONUMENT MONBOX
 ON SURFACE - ~~BELOW~~ ON
 OFFSET ☉ PAVEMENT ON LT : RT
11.9' TO RT EDGE PAVEMENT
 STATION: 580+68
 HORZ.DATUM: NAD83(2011) GEOID: 2012A
 GRID: NORTHING: 598120.540 EASTING: 1692084.545



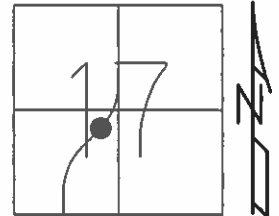
RECORD: T.S.
 STA. 580+44.14
 FD MONBOX
 7/15/87, MDB
 3/16/06, RGN
 8/21/09, MC
 9/16/21, DSA



O.D.O.T. DISTRICT 2 SURVEY OFFICE (USE ONLY)

PERSONNEL _____ REFERENCE NO. 35 SHEET 23 OF 45
 NOTES HUSS DATE 08-21-09 ROUTE SR 199
 H.C. CANTERBURY WEATHER SUNNY COUNTY WOOD
 R.C. HUSS TEMP. 84° F TOWNSHIP MONTGOMERY
 _____ SECTION 17
 _____ T 4 N R 12 E

TYPE MONUMENT _____ MON. BOX _____
 ON SURFACE - ~~BELOW~~ _____ ON _____
~~LEFT~~ - Q PAV'T - ~~RIGHT~~ _____ ON _____
11.9' TO RT. EDGE PAVEMENT
 S.L.M. 580+68



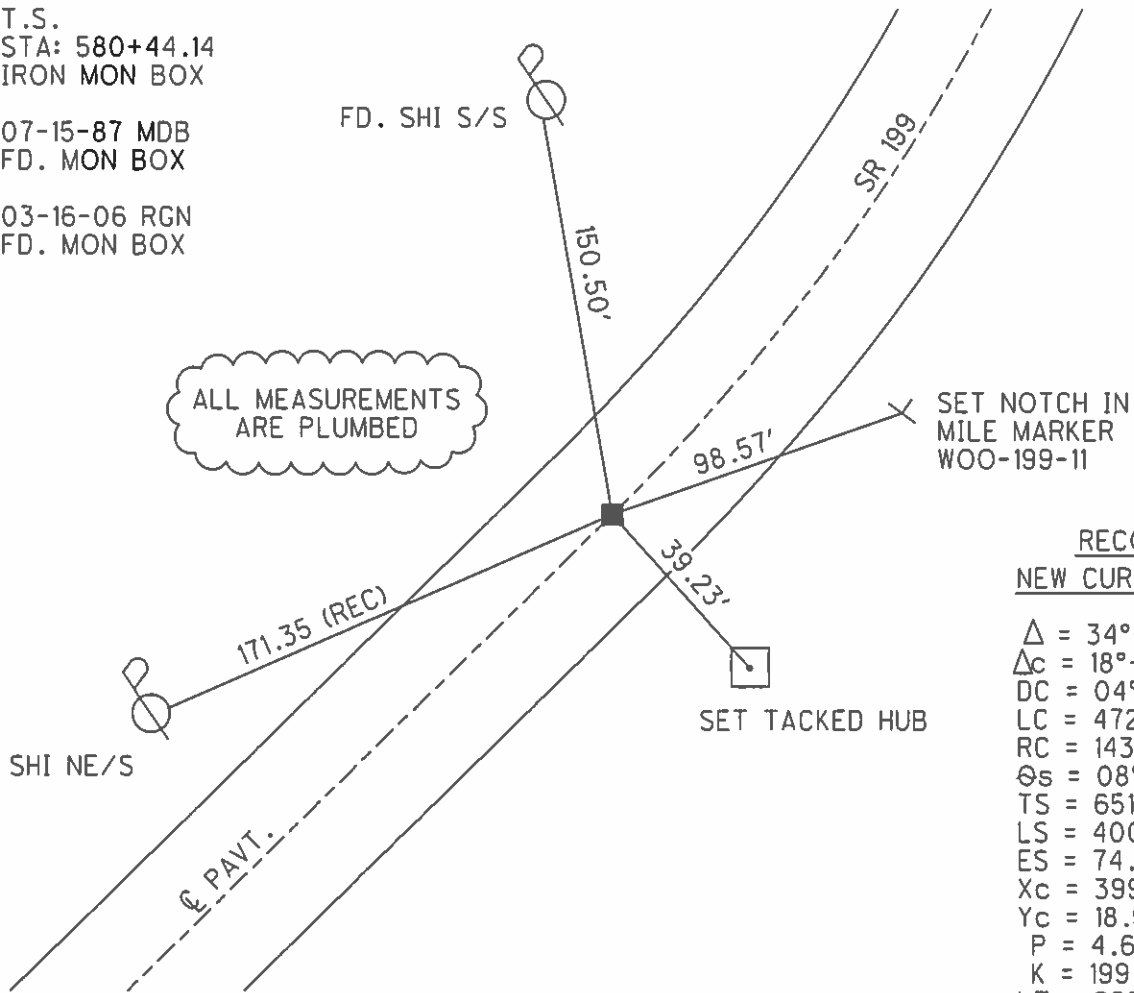
Grid: Northing: 598120.540 Easting: 1692084.545

RECORD

T.S.
 STA: 580+44.14
 IRON MON BOX

07-15-87 MDB
 FD. MON BOX

03-16-06 RGN
 FD. MON BOX



RECORD
NEW CURVE DATA

$\Delta = 34^{\circ}-55'$ LT.
 $\Delta_c = 18^{\circ}-55'$ LT.
 DC = $04^{\circ}-00'$
 LC = 472.92'
 RC = 1432.39'
 $\theta_s = 08^{\circ}$
 TS = 651.82'
 LS = 400'
 ES = 74.1'
 Xc = 399.22'
 Yc = 18.59'
 P = 4.65'
 K = 199.87'
 LT = 266.94'
 ST = 133.58'
 LC = 399.65'

O.D.O.T. DISTRICT 2 SURVEY OFFICE

PERSONNEL

REFERENCE NO. 35

SHEET OF

NOTES BARWISEL

H.C. Loehke

R.C. HOFFMAN

DATE 7-15-87

WEATHER Sunny

TEMP. +75°

ROUTE 199

COUNTY Wood

TOWNSHIP Montgomery

SECTION 17

T 4 N R 12 E

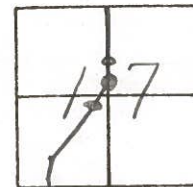
TYPE MONUMENT Mon. Boxes

ON SURFACE - BELOW yes

LEFT - C PAV'T. - RIGHT yes

T.S. 11.9
S.T. 12.3 TO R EDGE PAVEMENT

S.L.M. T.S. 580+66 P.I.



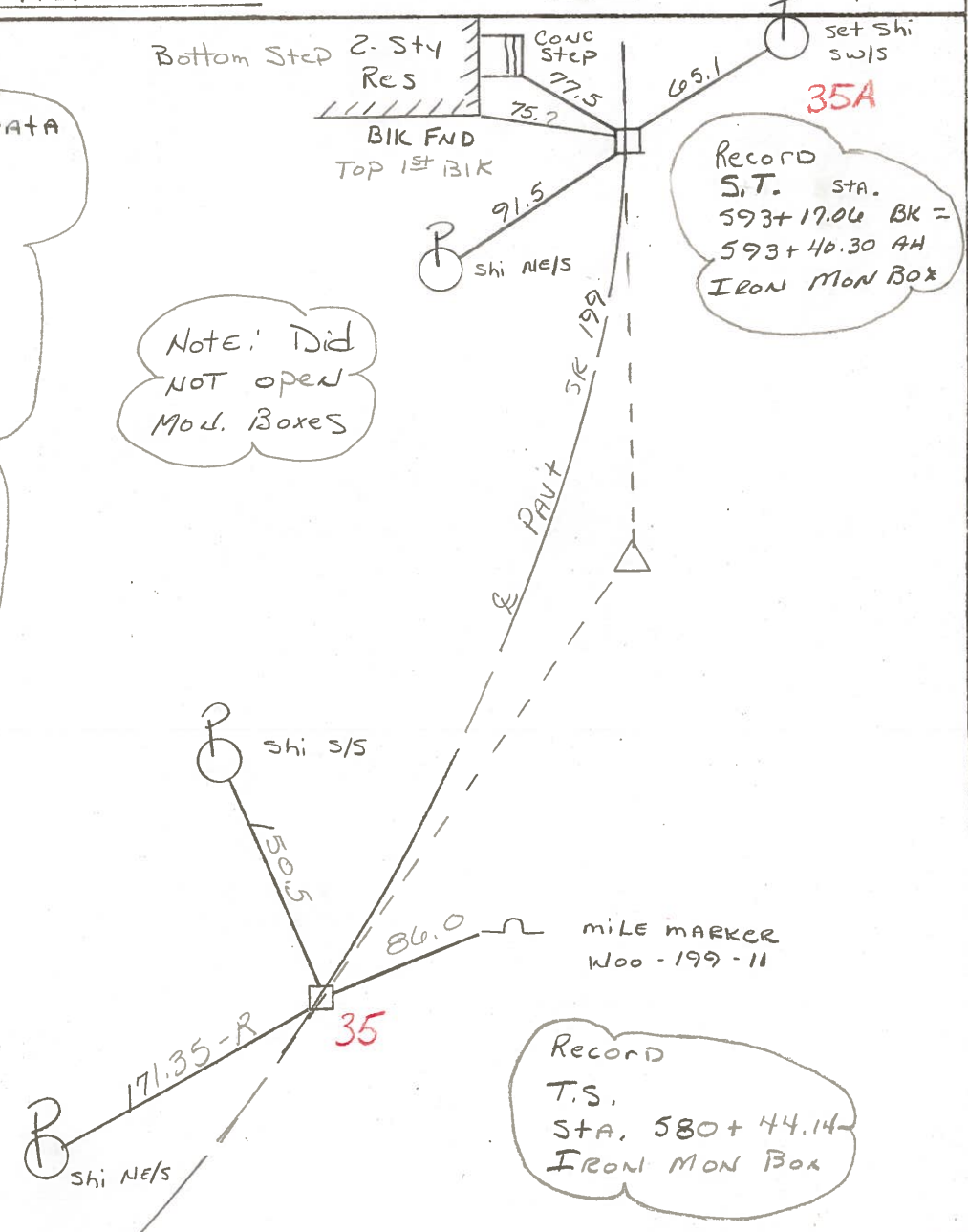
S.T. 593+39

New Curve Data
 $\Delta = 34^{\circ} - 55' \text{ Lt}$
 $\Delta c = 18^{\circ} - 55' \text{ Lt}$
 $Dc = 4^{\circ} - 00'$
 $Lc = 472.92$
 $Rc = 1432.39$
 $Qs = 8^{\circ}$
 $Ts = 651.82'$
 $Ls = 400'$
 $Es = 74.1'$
 $Xc = 399.22'$
 $Uc = 18.59'$
 $P = 4.45'$
 $K = 199.87'$
 $L.T. = 266.94'$
 $S.T. = 133.58'$
 $LC = 399.65'$

Note: Did NOT open Mod. Boxes

Record S.T. STA. 593+17.06 BK = 593+40.30 AH IRON MON BOX

Record T.S. STA. 580+44.14 IRON MON BOX



County WOOD S.R. 199

Date 9-17-71 (CHKD 5-25-78)

Township MONTGOMERY

Weather CLEAR

Section 17

Temp. +67°

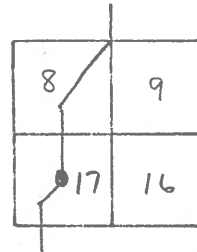
T N, R E

Personnel BURNSIDE

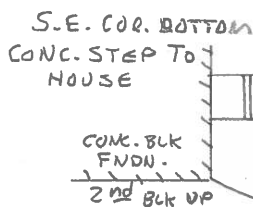
SMITH

BOWERS

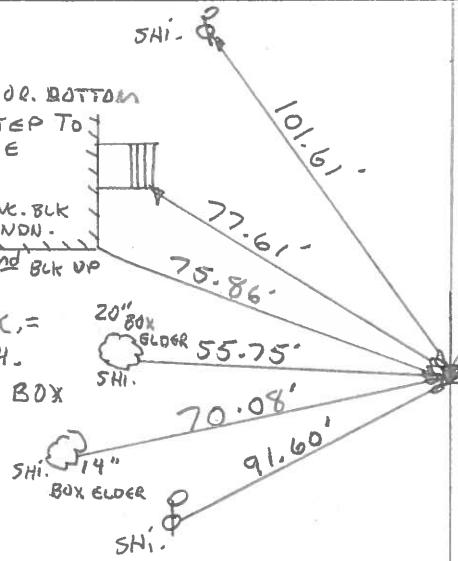
HOLCOMBE



#35



S.T.
STA. 593+17.06 BK. =
593+40.30 AH.
IRON MONUMENT BOX

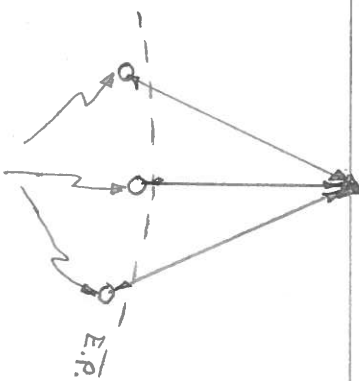


35A

NEW CURVE DATA:

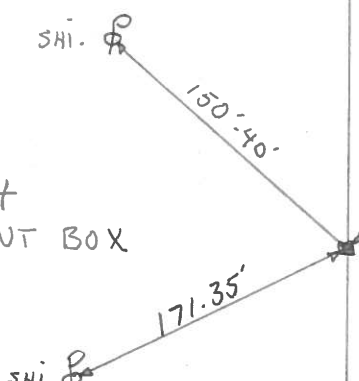
$\Delta = 34^{\circ}-55' LT.$	$\theta_s = 8^{\circ}$
$A_c = 18^{\circ}-55' LT.$	$T_s = 651.82'$
$D_c = 4^{\circ}-00'$	$L_s = 400'$
$L_c = 472.92$	$E_s = 74.1'$
$R_c = 1432.39$	$X_c = 399.22'$
	$Y_c = 18.59'$
	$P = 4.65'$
	$K = 199.87'$
	$L.T. = 266.94'$
	$ST. = 133.58'$
	$LC. = 399.65'$

P.K. NAIL
IN EAST EDGE
PAVEMENT.



P.I.
STA. 586+95.96
SET 3/4" IRON ROD
14" DEEP
 $\Delta = 34^{\circ}-55' LT.$

T.S.
STA. 580+44.14
IRON MONUMENT BOX



35

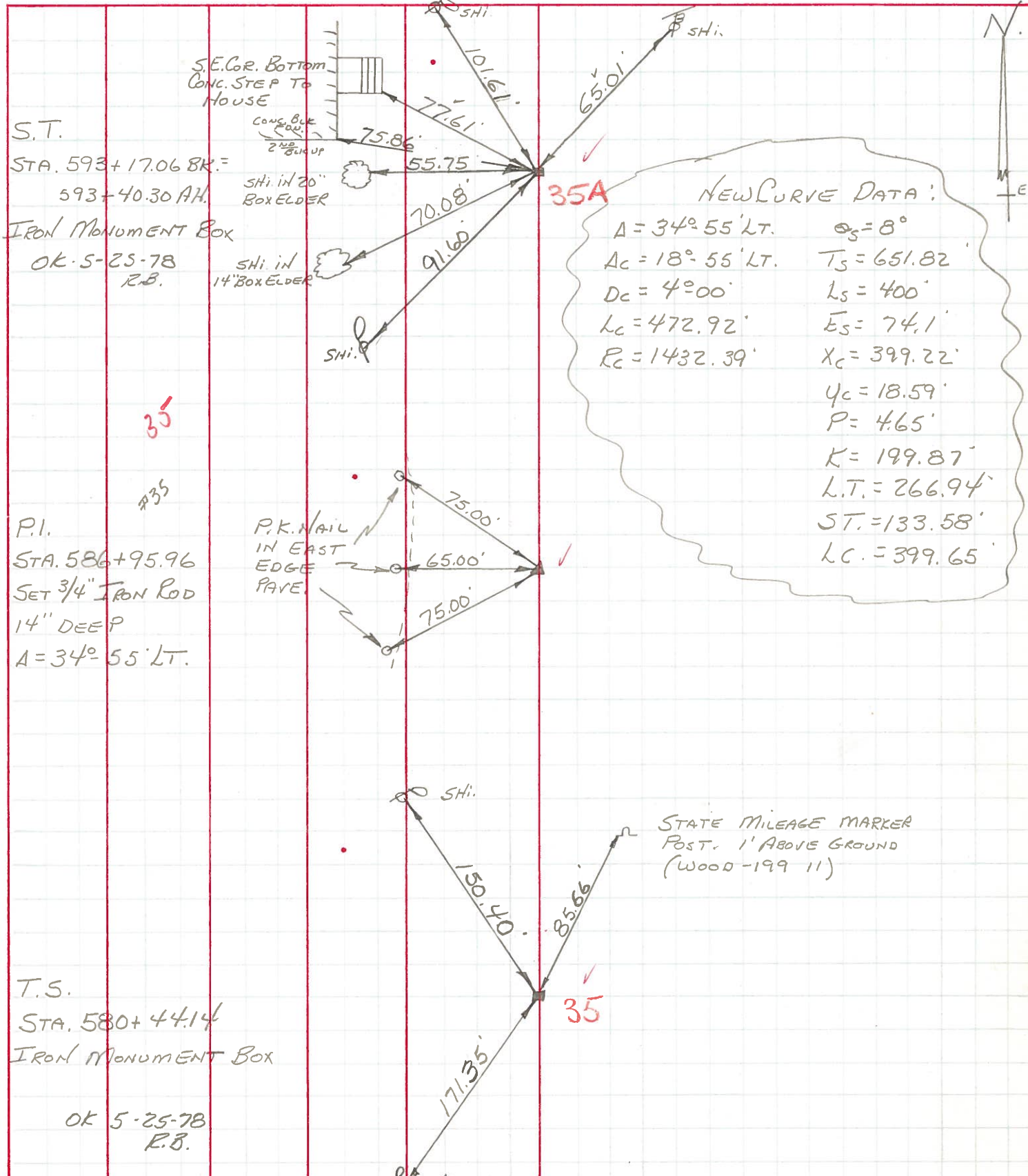
STATE MILEAGE MARKER
POST 1' ABOVE GROUND
(WOOD-199-11)



PERSONNEL TITLE PERSONNEL TITLE
 BURNSIDE _____
 SMITH _____
 BOWERS _____
 HOLCOMBE _____

COUNTY WOOD DATE 9-17-71
 S. R. 199 WEATHER CLEAR
 SEC. 2ND CURVE N. of Marmill Rd TEMP. +67°

DESCRIPTION _____ LEFT _____ CENTER LINE _____ RIGHT _____ JOB NO. _____



S.T.
 STA. 593+17.06 BK.=
 593+40.30 AH.
 IRON MONUMENT BOX
 OK 5-25-78
 R.B.

P.I.
 STA. 586+95.96
 SET 3/4" IRON ROD
 14" DEEP
 $A = 34^{\circ} 55' \text{LT.}$

T.S.
 STA. 580+44.14
 IRON MONUMENT BOX
 OK 5-25-78
 R.B.