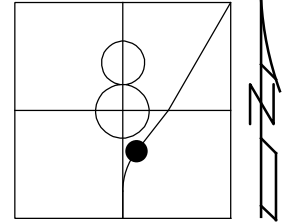


O.D.O.T. DISTRICT 2 SURVEY OFFICE (USE ONLY)

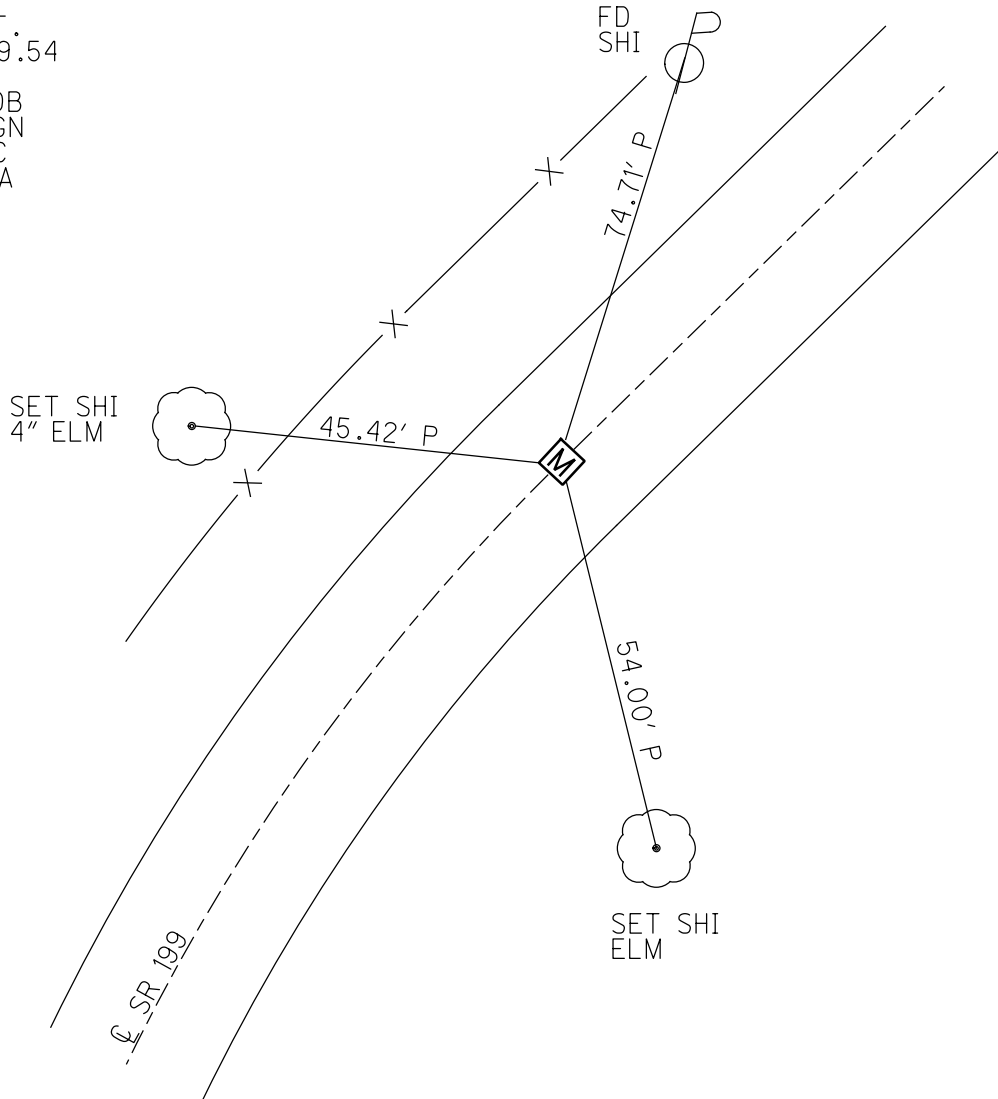
PERSONNEL _____ REFERENCE NO. 37 A SHEET 28 OF 45
 NOTES HUSS DATE 8/21/09 ROUTE SR 199
 H.C. CANTERBURY WEATHER SUNNY COUNTY WOOD
 R.C. HUSS TEMP. 85° TOWNSHIP MONTGOMERY
 DWG BY RHOADES PID 101286 SECTION 8
 T 4 N R 12 E

TYPE MONUMENT MONBOX
 ON SURFACE - ~~BELOW~~ ON _____
 OFFSET 0 PAVEMENT ON _____ LT : RT
12.4' TO RT EDGE PAVEMENT
 STATION: 632+85

HORZ.DATUM: NAD83(2011) GEOID: 2012A
 GRID: NORTHING: 603083.802 EASTING: 1693118.343



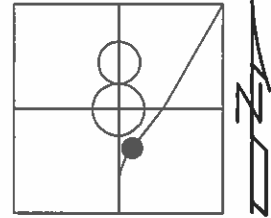
RECORD: S.T.
 STA. 633+29.54
 FD MONBOX
 7/15/87, MDB
 3/16/06, RGN
 8/21/09, MC
 9/16/21, DSA



O.D.O.T. DISTRICT 2 SURVEY OFFICE (USE ONLY)

PERSONNEL	REFERENCE NO. <u>37a</u>	SHEET <u>28</u> OF <u>45</u>
NOTES <u>HUSS</u>	DATE <u>08-21-09</u>	ROUTE <u>SR 199</u>
H.C. <u>CANTERBURY</u>	WEATHER <u>SUNNY</u>	COUNTY <u>WOOD</u>
R.C. <u>HUSS</u>	TEMP. <u>85° F</u>	TOWNSHIP <u>MONTGOMERY</u>
		SECTION <u>17</u>
		T <u>4</u> N R <u>12</u> E

TYPE MONUMENT MON. BOX
 ON SURFACE - ~~BELOW~~ ON
~~LEFT~~ - C PAV'T - ~~RIGHT~~ ON
12.4' TO RT. EDGE PAVEMENT
 S.L.M. 632+85
 Grid: Northing: 603083.802 Easting: 1693118.343

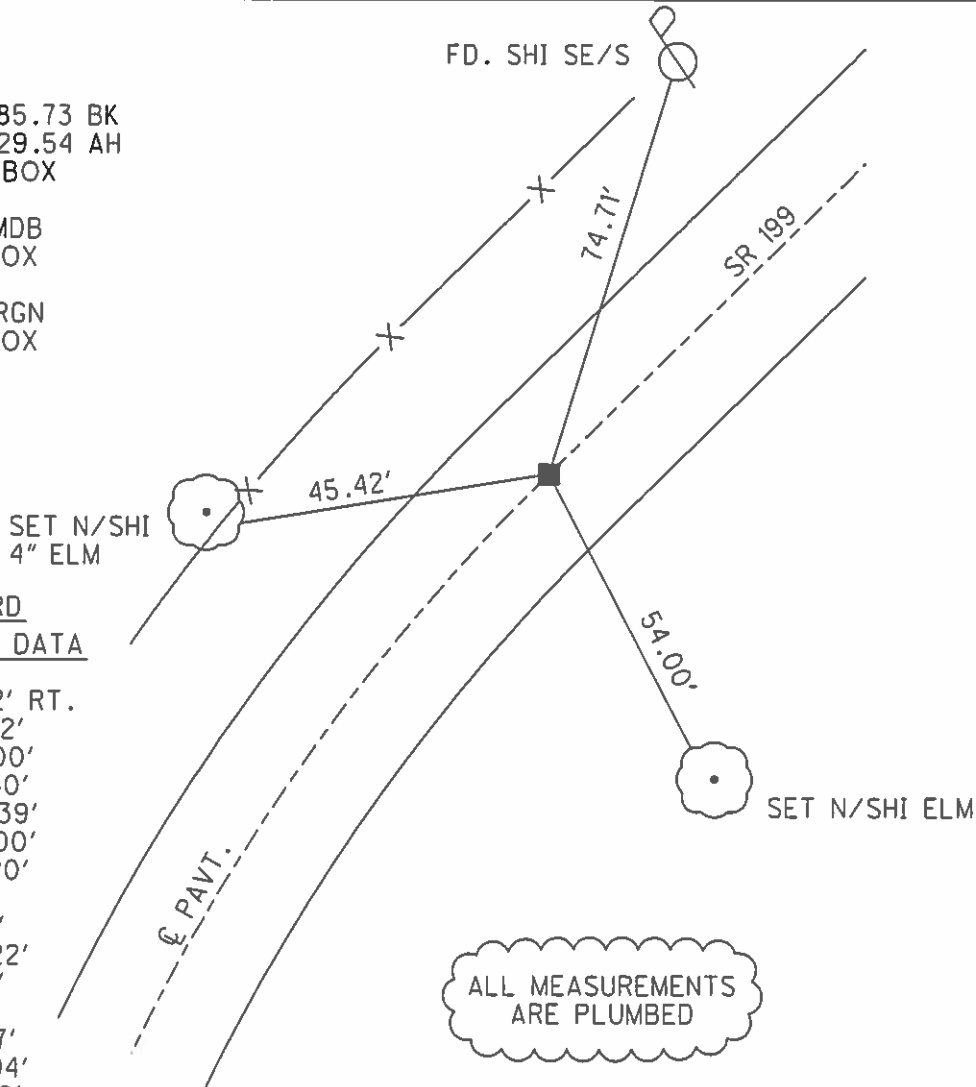


RECORD

S.T.
 STA: 632+85.73 BK
 STA: 633+29.54 AH
 IRON MON BOX

07-15-87 MDB
 FD. MON BOX

03-16-06 RGN
 FD. MON BOX



RECORD
NEW CURVE DATA

$\Delta = 41^\circ-42'$ RT.
 $\Delta c = 25^\circ-42'$
 DC = $04^\circ-00'$
 LC = 642.50'
 RC = 1432.39'
 $\Theta_s = 08^\circ-00'$
 TS = 747.20'
 LS = 400'
 ES = 105.4'
 Xc = 399.22'
 Yc = 18.59'
 P = 4.65'
 K = 199.87'
 LT = 266.94'
 ST = 133.58'
 LC = 399.65'

ALL MEASUREMENTS
 ARE PLUMBED

O.D.O.T. DISTRICT 2 SURVEY OFFICE

PERSONNEL _____

REFERENCE NO. 37

SHEET _____ OF _____

NOTES BARNHISEL

H.C. Loehrke

DATE 7-15-87

ROUTE 199

R.C. HOFFMAN

WEATHER SUNNY

COUNTY WOOD

TEMP. +75°

TOWNSHIP Montgomery

SECTION 8

T 4 N R 12 E

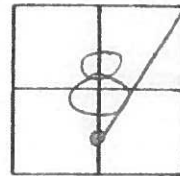
TYPE MONUMENT MON Boxes

ON SURFACE - BELOW yes

LEFT - & PAV'T. - RIGHT yes

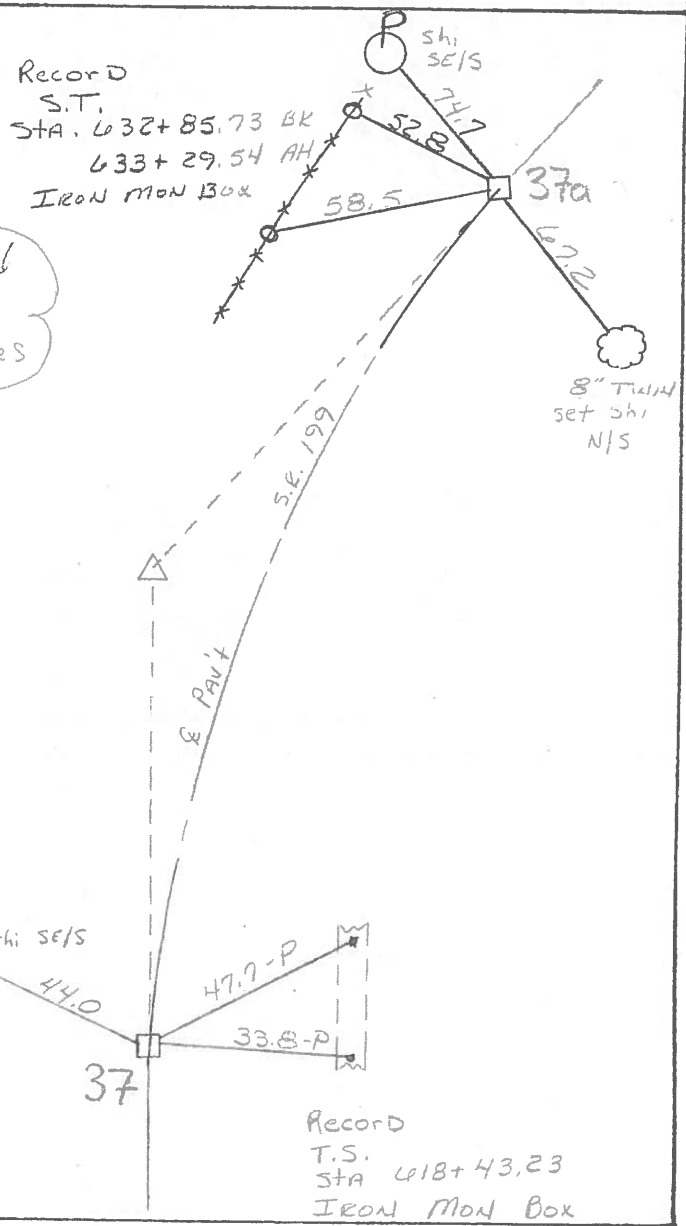
T.S. 12.3
S.T. 12.0 TO RT EDGE PAVEMENT

S.L.M. T.S. 618+42 P.I. S.T. 632+85



New Curve DATA
 $\Delta = 41^{\circ} - 42' \text{ RT}$
 $\Delta c = 25^{\circ} - 42'$
 $Dc = 4^{\circ} - 00'$
 $Lc = 642.50'$
 $Rc = 1432.39'$
 $\theta_s = 8^{\circ} - 00'$
 $Ts = 747.20$
 $Ls = 400'$
 $Es = 105.4'$
 $Xc = 399.22'$
 $Yc = 18.59'$
 $P = 4.65'$
 $K = 199.87$
 $L.T. = 266.94$
 $S.T. = 133.58'$
 $L.C. = 399.65'$

Note: Did NOT open MON Boxes



County WOOD S.R. 199

Township MONTGOMERY

Section 8

T N, R E

Personnel BURNSIDE

SMITH

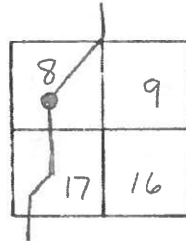
BOWERS

HOLCOMBE

Date 9-28-71 (CHKD 5-25-78)

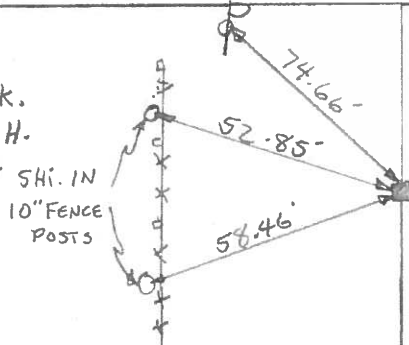
Weather P.T. CLOUDY

Temp. 78°



S.T. #37
 STA. 632+85.73 BK.
 633+29.54 AH.

IRON MONUMENT BOX SHI. IN
 10" FENCE POSTS

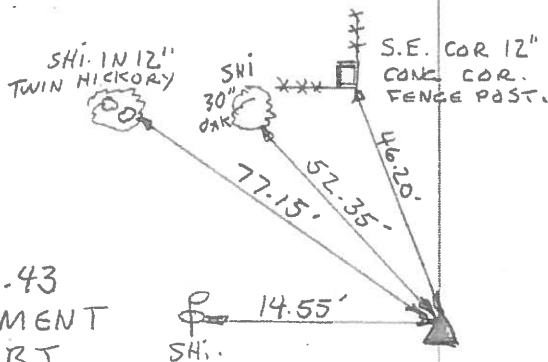


37a

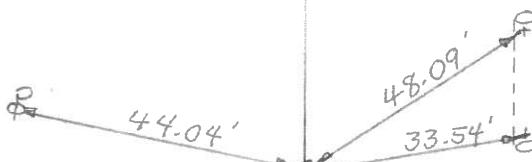
NEW CURVE DATA

$\Delta = 41^\circ - 42' \text{ RT.}$ $\theta_s = 8^\circ - 00'$
 $\Delta c = 25^\circ - 42'$ $T_s = 747.20$
 $D_c = 4^\circ - 00'$ $L_s = 400'$
 $L_c = 642.50'$ $E_s = 105.4'$
 $R_c = 1432.39'$ $X_c = 399.22'$
 $Y_c = 18.59'$
 $P = 4.65'$
 $K = 199.87'$
 $L.T. = 266.94'$
 $S.T. = 133.58'$
 $L.C. = 399.65'$

P.I. #37
 STA. 625+90.43
 CONC. MONUMENT
 $\Delta = 41^\circ - 42' \text{ RT.}$



T.S.
 STA. 618+43.23 SHI.
 IRON MONUMENT BOX



37