

O.D.O.T. DISTRICT 2 SURVEY OFFICE (USE ONLY)

PERSONNEL

REFERENCE NO. 41

SHEET 36 OF 45

NOTES HUSS

DATE 8/24/09

ROUTE SR 199

H.C. CANTERBURY

WEATHER SUNNY

COUNTY WOOD

R.C. CORDES

TEMP. 84°

TOWNSHIP MONTGOMERY

DWG BY RHOADES PID 101286

SECTION 5

T 4 N R 12 E

TYPE MONUMENT MONBOX

ON SURFACE - ~~BELOW~~ ON

OFFSET Q PAVEMENT ON LT : RT

11.4' TO LT EDGE PAVEMENT

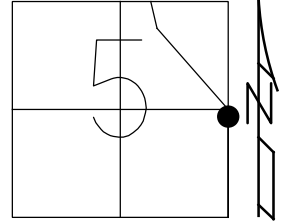
STATION: 686+43

HORZ.DATUM: NAD83(2011)

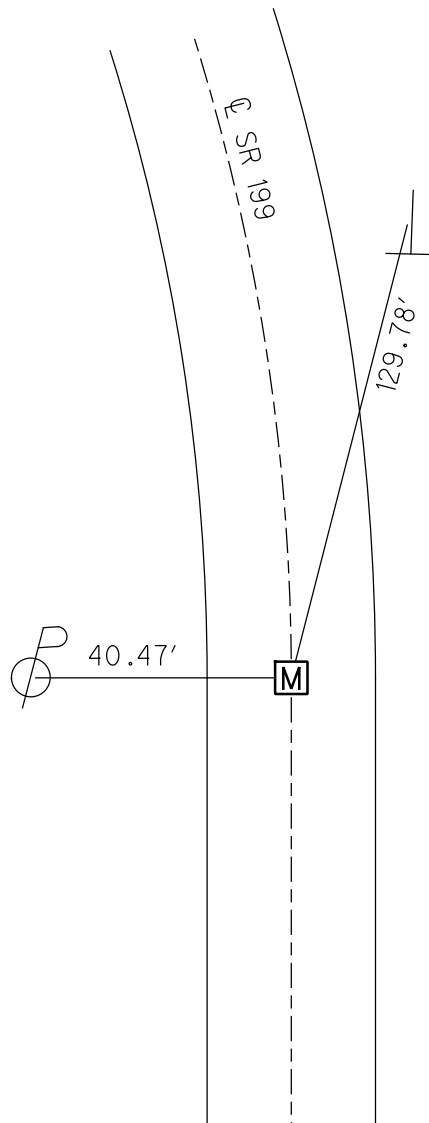
GEOID: 2012A

GRID: NORTHING: 607715.586

EASTING: 1695338.003



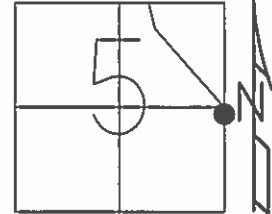
RECORD: T.S.
STA. 687+02.17
FD MONBOX
7/15/87, MDB
3/16/06, RGN
8/24/09, MC
9/16/21, DSA



O.D.O.T. DISTRICT 2 SURVEY OFFICE (USE ONLY)

PERSONNEL	REFERENCE NO. <u>41</u>	SHEET <u>36</u> OF <u>45</u>
NOTES <u>HUSS</u>	DATE <u>08-24-09</u>	ROUTE <u>SR 199</u>
H.C. <u>CANTERBURY</u>	WEATHER <u>SUNNY</u>	COUNTY <u>WOOD</u>
R.C. <u>CORDES</u>	TEMP. <u>84° F</u>	TOWNSHIP <u>MONTGOMERY</u>
		SECTION <u>5</u>
		T <u>4</u> N R <u>12</u> E

TYPE MONUMENT MON. BOX
 ON SURFACE - ~~BELOW~~ ON
~~LEFT~~ - Q PAV'T - ~~RIGHT~~ ON
11.4' TO LT. EDGE PAVEMENT
 S.L.M. 686+43



Grid: Northing: 607715.586 Easting: 1695338.003

RECORD

T.S.
 STA: 687+02.17
 FD IRON MON 1" BELOW SURFACE

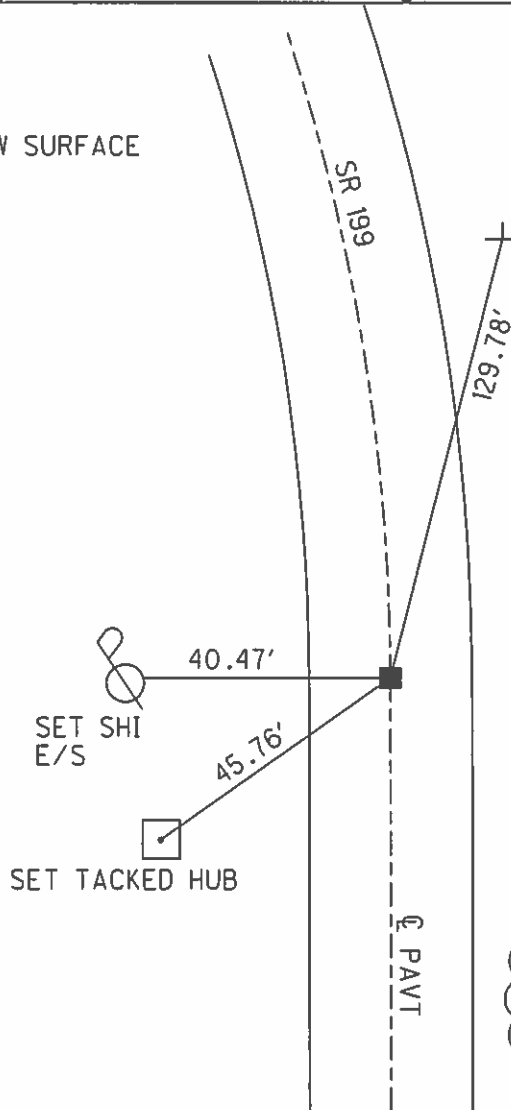
07-15-87 MDB
 FD. MON BOX

03-16-06 RGN
 FD. MON BOX

SET NOTCH 2' UP
 LT. SIDE OF 13 M.M. SIGN

RECORD
NEW CURVE DATA

$\Delta = 31^\circ-36'$ LT.
 $\Delta_c = 15^\circ-36'$
 DC = $04^\circ-00'$
 LC = 390.00'
 RC = 1432.39'
 $\Theta_s = 08^\circ-00'$
 TS = 606.52'
 LS = 400'
 Es = 61.1'
 Xc = 399.22'
 Yc = 18.59'
 P = 4.65'
 K = 199.87'
 LT = 266.94'
 ST = 133.58'
 LC = 399.65'



RECORD
 THE PI FOR THIS
 CURVE IS A CONC. MON.
 STA: 693+08.69
 $\Delta = 31^\circ-36'$ LT.

O.D.O.T. DISTRICT 2 SURVEY OFFICE (USE ONLY)

PERSONNEL _____

REFERENCE NO. 41

SHEET 33 OF 42

NOTES HUSS

DATE 08-24-09

ROUTE SR 199

H.C. CANTERBURY

WEATHER SUNNY

COUNTY WOOD

R.C. CORDES

TEMP. 84° F

TOWNSHIP MONTGOMERY

SECTION 5

T 4 N R 12 E

TYPE MONUMENT MON. BOX

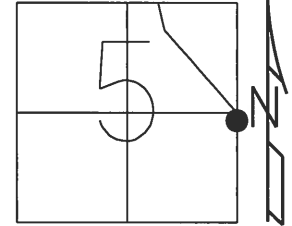
ON SURFACE - ~~BELOW~~ ON

~~LEFT~~ - Q PAV'T - ~~RIGHT~~ ON

11.4' TO LT. EDGE PAVEMENT

S.L.M. 686+43

Grid: Northing: 607715.586 Easting: 1695338.003



RECORD

T.S.
STA: 687+02.17
FD IRON MON 1" BELOW SURFACE

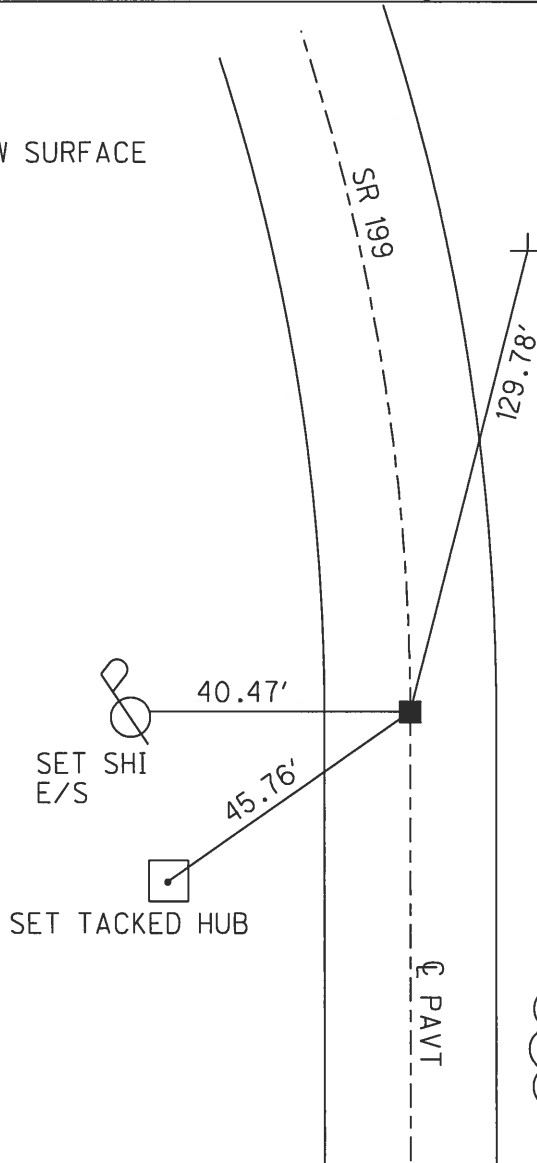
07-15-87 MDB
FD. MON BOX

03-16-06 RGN
FD. MON BOX

SET NOTCH 2' UP
LT. SIDE OF 13 M.M. SIGN

RECORD
NEW CURVE DATA

- $\Delta = 31^{\circ}-36'$ LT.
- $\Delta_c = 15^{\circ}-36'$
- DC = $04^{\circ}-00'$
- LC = 390.00'
- RC = 1432.39'
- $\Theta_s = 08^{\circ}-00'$
- TS = 606.52'
- LS = 400'
- Es = 61.1'
- Xc = 399.22'
- Yc = 18.59'
- P = 4.65'
- K = 199.87'
- LT = 266.94'
- ST = 133.58'
- LC = 399.65'



RECORD
THE PI FOR THIS
CURVE IS A CONC. MON.
STA: 693+08.69
 $\Delta = 31^{\circ}-36'$ LT.

O.D.O.T. DISTRICT 2 SURVEY OFFICE

PERSONNEL

REFERENCE NO. 41

SHEET OF

NOTES BARNHISEL

H.C. Loehke

R.C. HOFFMAN

DATE 7-15-87

WEATHER Sunny

TEMP. +75°

ROUTE 199

COUNTY WOOD

TOWNSHIP Montgomery

SECTION 5

T 4 N R 12 E

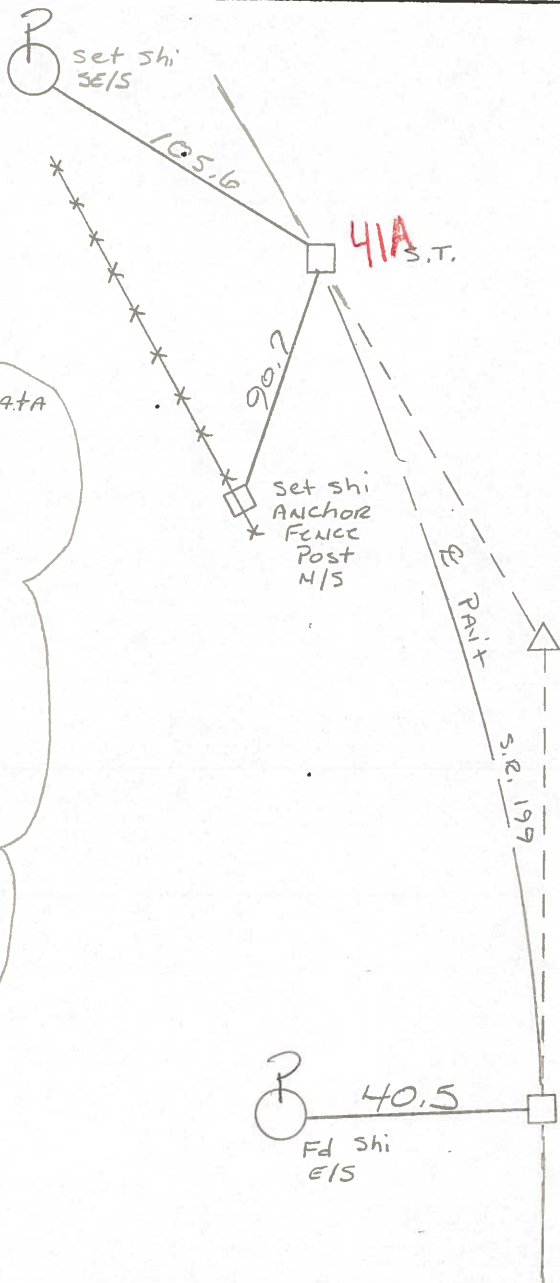
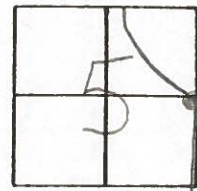
TYPE MONUMENT Mon Boxes

ON SURFACE - BELOW yes

LEFT - CL PAV'T. - RIGHT yes

11.9 TO R+ EDGE PAVEMENT

S.L.M. T.S. 686+43 P.I. S.T. 698+32



Record
S.T.
STA. 698+92.17 13K:
699+09.70 AH.
Iron Mon 3/4" Deep

Note:
Didn't open
Mon Boxes

Record
P.I.
Sta. 693+08.69
 $\Delta = 31^\circ - 36' \text{ Lt}$
Conc Mon

New Curve Data
 $\Delta = 31^\circ - 36' \text{ Lt}$
 $\Delta c = 15^\circ - 36'$
 $Dc = 4^\circ - 00'$
 $Lc = 390.00$
 $Rc = 1432.39$
 $\alpha_s = 8^\circ - 00'$
 $Ts = 606.52'$
 $Ls = 400'$
 $Es = 61.1'$
 $Xc = 399.22'$
 $yc = 18.59'$
 $P = 4.65'$
 $K = 199.87'$
 $L.T. = 206.94'$
 $S.T. = 133.58'$
 $L.C. = 399.65$

Record
T.S.
Sta. 687+02.17
Iron Mon 1"±
Deep

County WOOD S.R. 199

Township MONTGOMERY

Section 5

T N, R E

Personnel BURNSIDE

SMITH

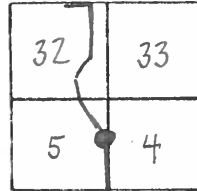
BOWERS

HOLCOMBE

Date 9-29-71 (CHKD 5-25-80)

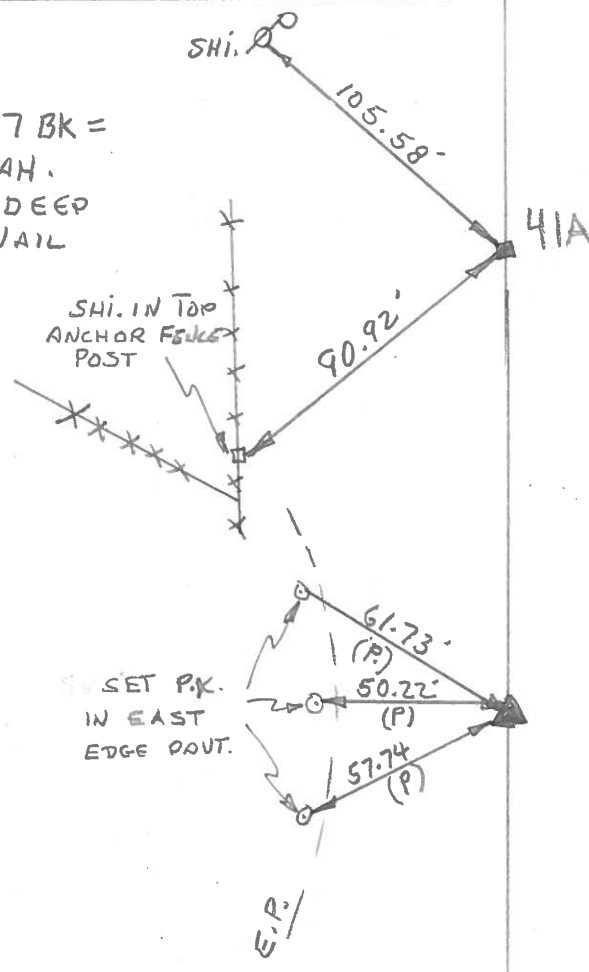
Weather PT. CLOUDY

Temp. +80°



#41

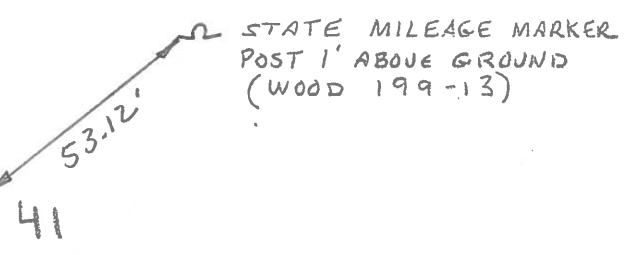
S.T.-698+92.17 BK =
699+09.70 AH.
IRON MON. 3/4" DEEP
SET ROOFING NAIL
ON TOP.



NEW CURVE DATA
 $\Delta = 31^{\circ}-36' LT$ $\theta_s = 8^{\circ}-00'$
 $D_c = 15^{\circ}-36'$ $T_s = 606.52'$
 $D_c = 4^{\circ}-00'$ $L_s = 400'$
 $L_c = 390.00'$ $E_s = 61.1'$
 $R_c = 1432.39'$ $X_c = 399.22'$
 $Y_c = 18.59'$
 $P = 4.65'$
 $K = 199.87'$
 $L.T. = 266.94'$
 $S.T. = 133.58'$
 $L.C. = 399.65'$

P.I.
STA. 693+08.69
 $\Delta = 31^{\circ}-36' LT$
CONC. MON.

T.S. STA. 687+02.17
IRON MON. 1" DEEP
SET ROOFING NAIL
ON TOP. ALSO 1' STRADDLES



PERSONNEL	TITLE	PERSONNEL	TITLE
BURNSIDE			
SMITH			
POWERS			
HOLCOMBE			

COUNTY WOOD DATE 9-29-71
 S. R. 199 WEATHER PT. CLOUDY
 SEC. 1ST CURVE N. of PORTAGE RD. TEMP. +80°

DESCRIPTION _____ LEFT _____ CENTER LINE _____ RIGHT _____ JOB NO. _____

