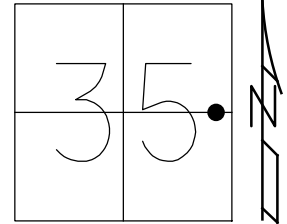


O.D.O.T. DISTRICT 2 SURVEY OFFICE (USE ONLY)

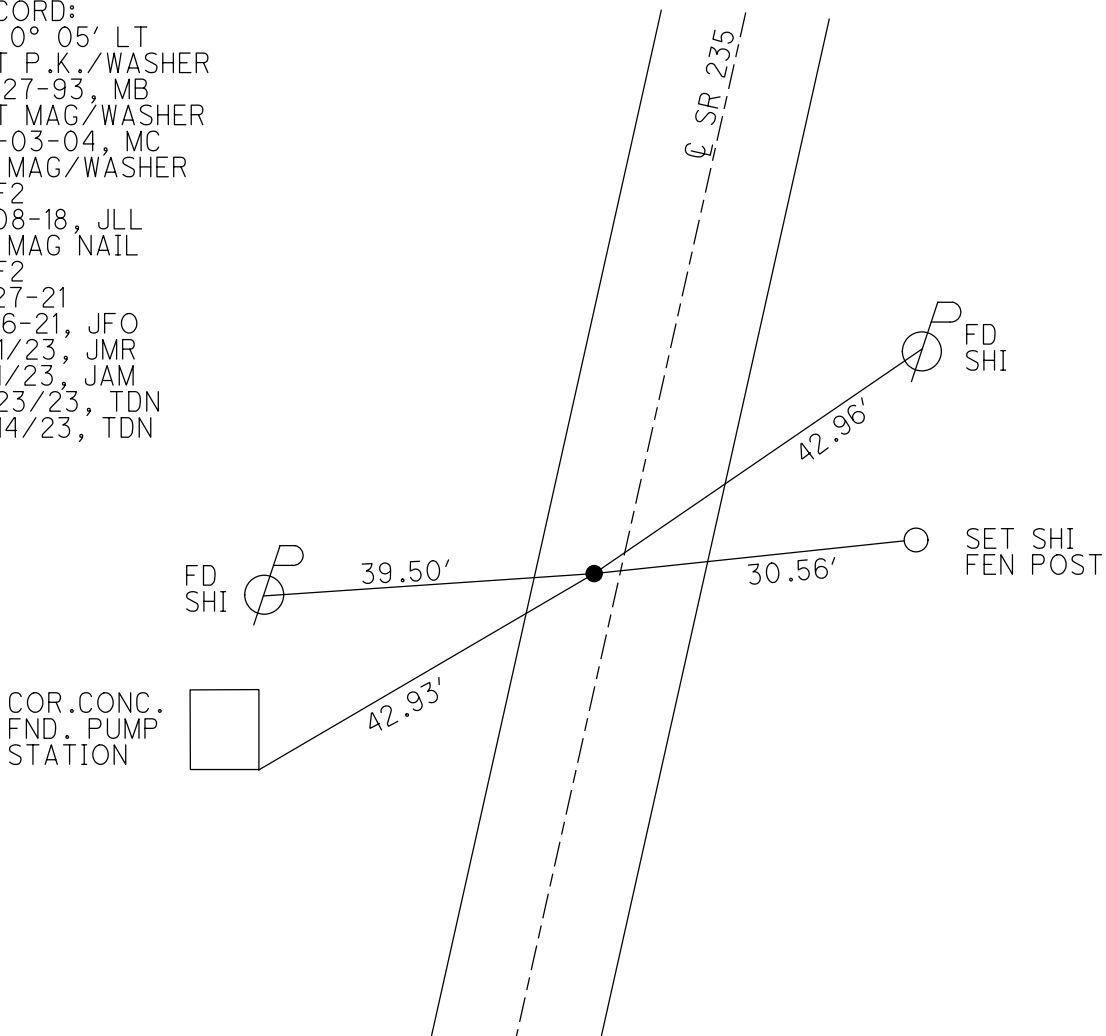
PERSONNEL _____ REFERENCE NO. 2 SHEET 2 OF 8
 NOTES AUBLE DATE 5-23-23 ROUTE SR 235
 H.C. NIESE WEATHER CLEAR COUNTY WOOD
 R.C. AUBLE TEMP. 69° TOWNSHIP JACKSON
 SECTION 35
 DWG BY AUBLE PID PAVETRAIN T 3 N R 9 E

TYPE MONUMENT MAG NAIL
 ON SURFACE - ~~BELOW~~ ON
 OFFSET \odot PAVEMENT 3.7' LT : ~~RT~~
5.9' TO LT EDGE PAVEMENT
 STATION: 26+96.80



HORZ.DATUM: NAD83(2011) GEOID: NAVD88 2018
 GRID: NORTHING: 552317.132 EASTING: 1614410.791

RECORD:
 $\Delta = 0^{\circ} 05' \text{ LT}$
 SET P.K./WASHER
 10-27-93, MB
 SET MAG/WASHER
 08-03-04, MC
 FD MAG/WASHER
 REF2
 6-08-18, JLL
 FD MAG NAIL
 REF2
 4-27-21
 9-16-21, JFO
 1/11/23, JMR
 2/1/23, JAM
 5/23/23, TDN
 8/14/23, TDN



O.D.O.T. DISTRICT 2 SURVEY OFFICE (USE ONLY)

PERSONNEL

REFERENCE NO. 2

SHEET 2 OF 8

NOTES RHOADES DATE 4-27-21
 H.C. O'DONNELL WEATHER WINDY
 R.C. RHOADES TEMP. 64° F

ROUTE SR 235
 COUNTY WOOD
 TOWNSHIP JACKSON
 SECTION 35

DWG BY AUBLE PID PAVETRAIN

T 3 N R 9 E

TYPE MONUMENT MAG NAIL

ON SURFACE - ~~BELOW~~ ON

OFFSET Q PAVEMENT 3.7' LT : ~~RT~~
5.9' TO LT EDGE PAVEMENT

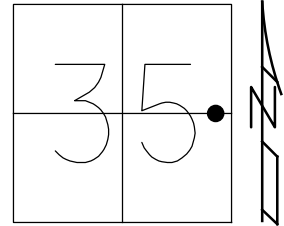
STATION: 26+96.80

HORZ. DATUM: NAD83(2011)

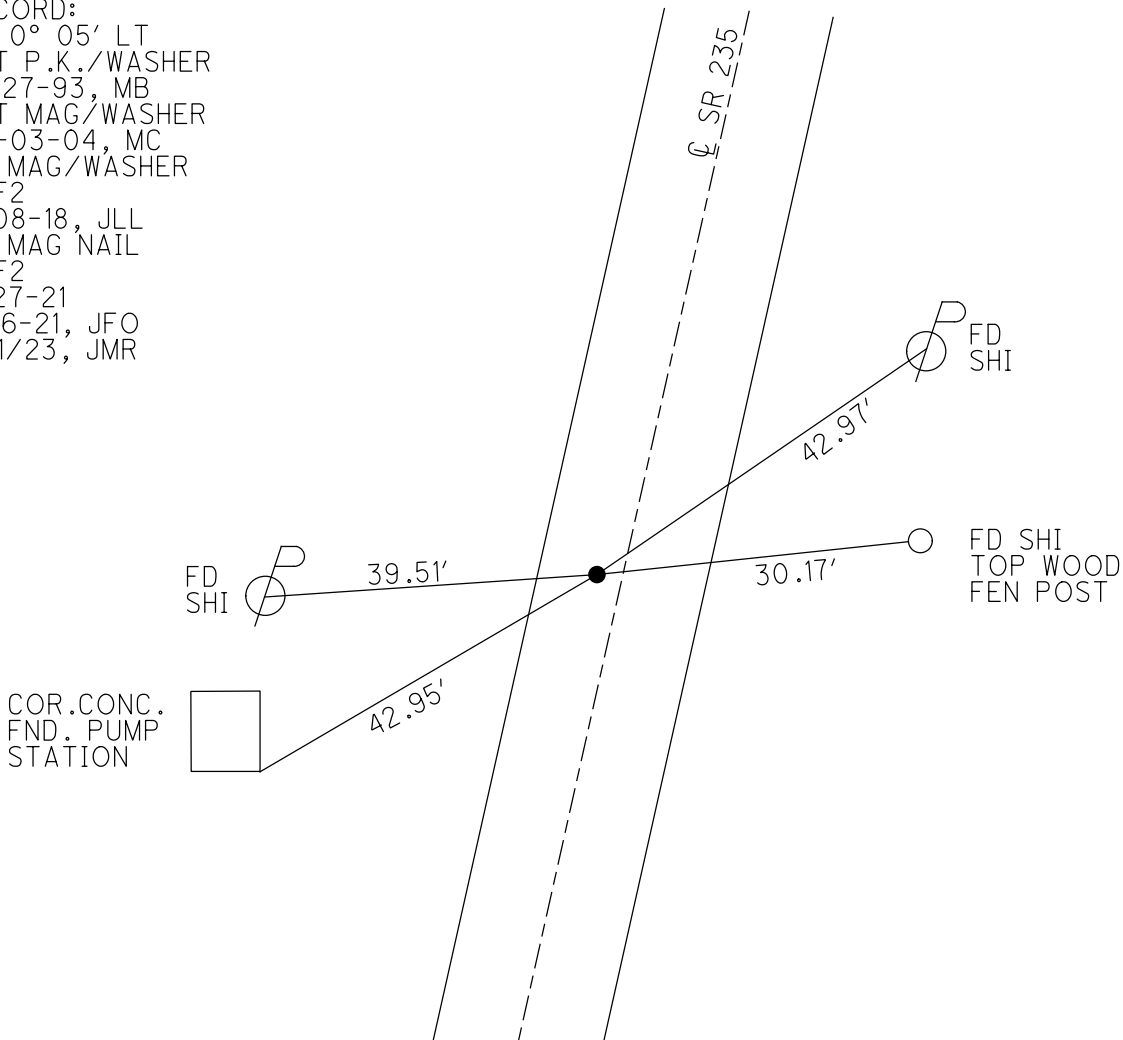
GEOID: NAVD88 2018

GRID: NORTHING: 552317.130

EASTING: 1614410.799



RECORD:
 Δ= 0° 05' LT
 SET P.K./WASHER
 10-27-93, MB
 SET MAG/WASHER
 08-03-04, MC
 FD MAG/WASHER
 REF2
 6-08-18, JLL
 FD MAG NAIL
 REF2
 4-27-21
 9-16-21, JFO
 1/11/23, JMR



COR. CONC.
 FND. PUMP
 STATION



O.D.O.T. DISTRICT 2 SURVEY OFFICE (USE ONLY)

PERSONNEL

REFERENCE NO. 2

SHEET 2 OF 8

NOTES RHOADES
 H.C. O'DONNELL
 R.C. RHOADES

DATE 4-27-21
 WEATHER WINDY
 TEMP. 64° F

ROUTE SR 235
 COUNTY WOOD
 TOWNSHIP JACKSON
 SECTION 35
 T 3 N R 9 E

DWG BY AUBLE PID PAVETRAIN

TYPE MONUMENT MAG NAIL

ON SURFACE - ~~BELOW~~ ON

OFFSET CL PAVEMENT 3.7' LT : ~~RT~~

5.9' TO LT EDGE PAVEMENT

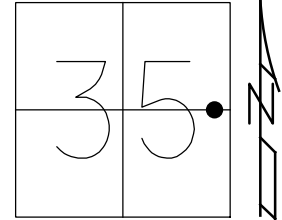
STATION: 26+96.80

HORZ.DATUM: NAD83(2011)

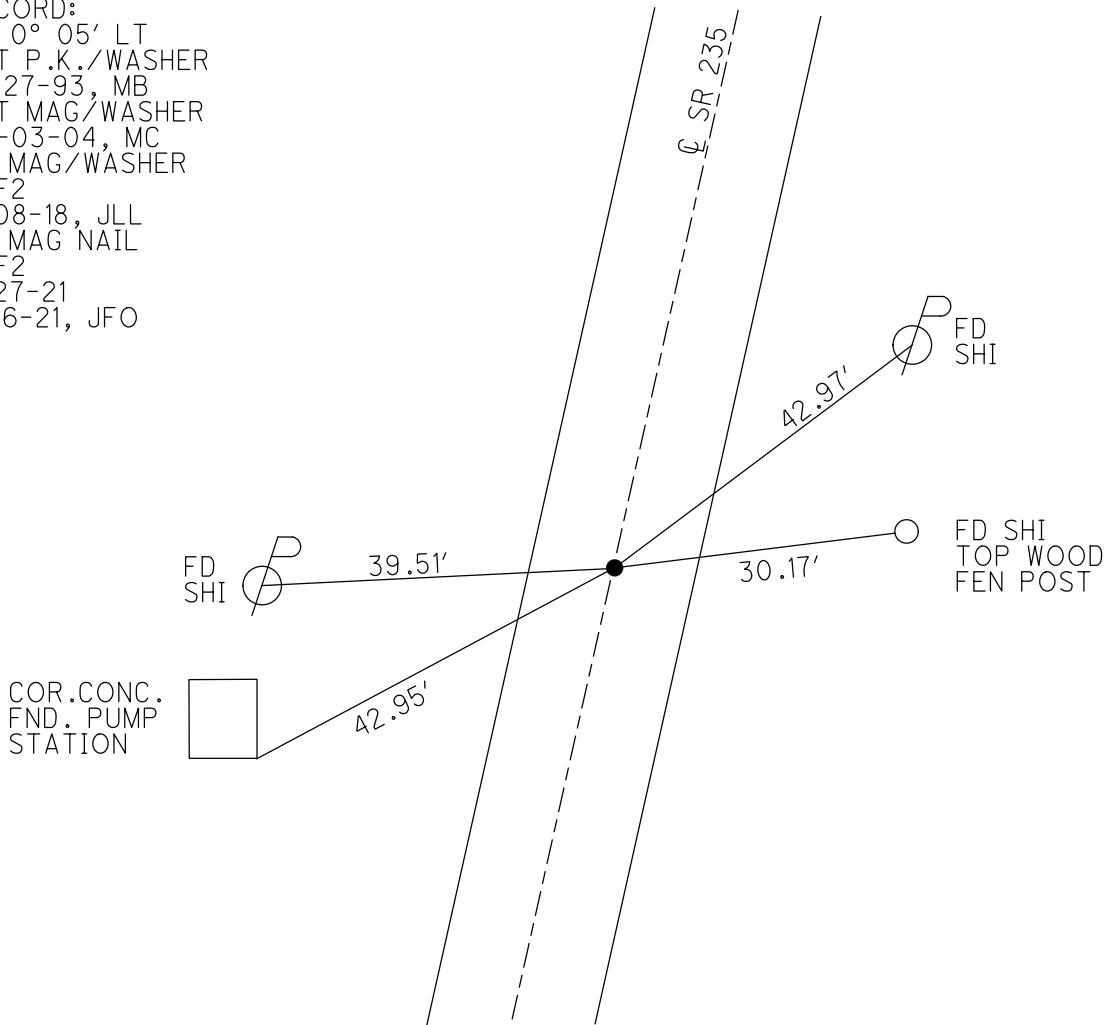
GEOID: NAVD88 2018

GRID: NORTHING: 552317.130

EASTING: 1614410.799



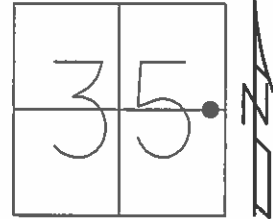
RECORD:
 $\Delta = 0^{\circ} 05' LT$
 SET P.K./WASHER
 10-27-93, MB
 SET MAG/WASHER
 08-03-04, MC
 FD MAG/WASHER
 REF2
 6-08-18, JLL
 FD MAG NAIL
 REF2
 4-27-21
 9-16-21, JFO



O.D.O.T. DISTRICT 2 SURVEY OFFICE (USE ONLY)

PERSONNEL _____ REFERENCE NO. 2 SHEET 2 OF 8
 NOTES NUHFER DATE 05-06-04 ROUTE SR 235
 H.C. CANERBURY WEATHER SUNNY COUNTY WOOD
 R.C. ARMS TEMP. 65°F TOWNSHIP JACKSON
 _____ SECTION 35
 _____ T 3 N R 9 E

TYPE MONUMENT MAG/WASHER
 ON SURFACE - ~~BELOW~~ ON _____
 LEFT - ☉ PAV'T - ~~RIGHT~~ 3.7'
5.9' TO LT EDGE PAVEMENT
 S.L.M. 26+96.80

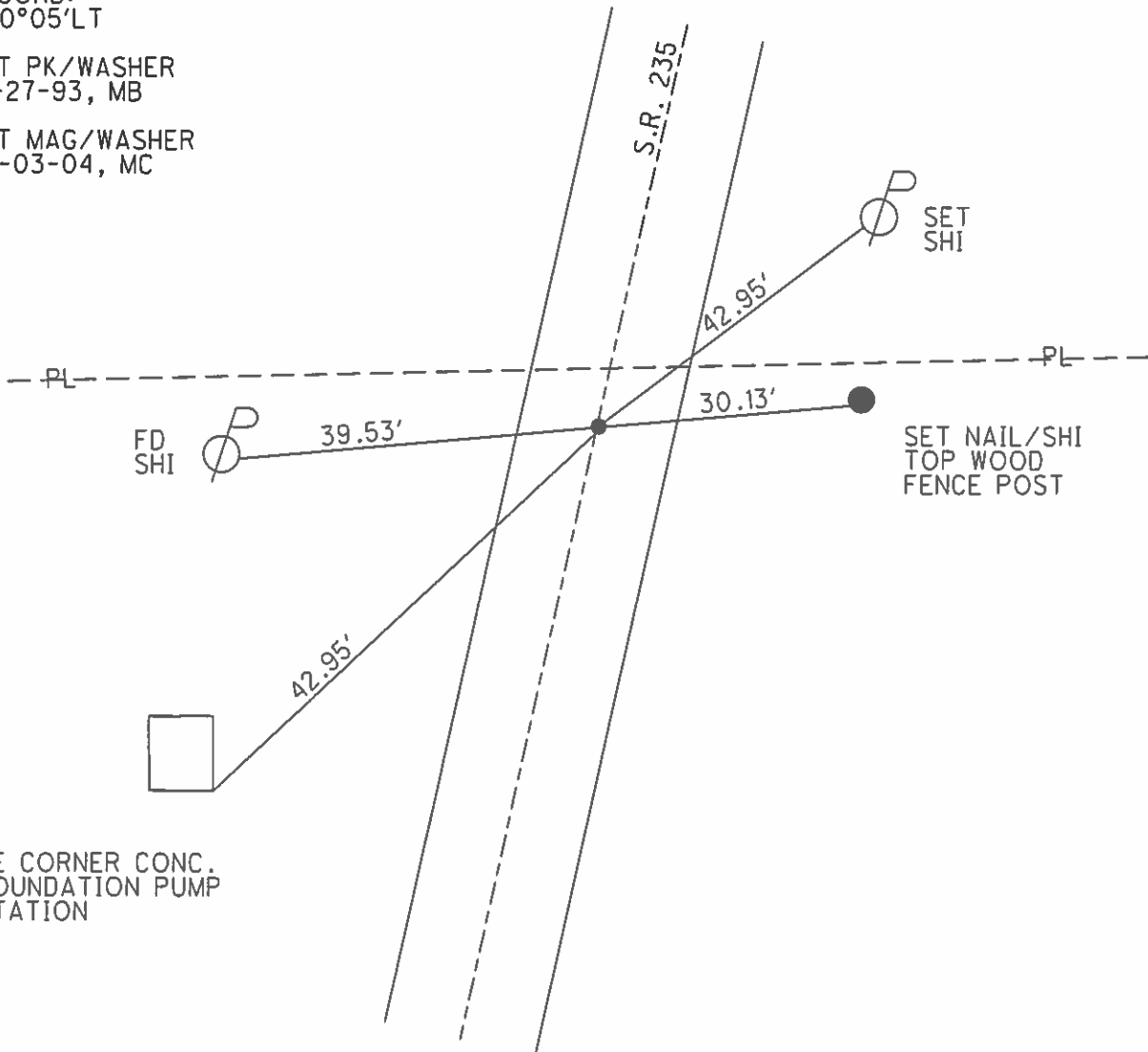


Grid: Northing: 552317.145 Easting: 1614410.753

RECORD:
 $\Delta=0^{\circ}05'LT$

SET PK/WASHER
 10-27-93, MB

SET MAG/WASHER
 08-03-04, MC



O.D.O.T. DISTRICT 2 SURVEY OFFICE

PERSONNEL

REFERENCE NO. 2

SHEET 2 OF 5

NOTES NUHFER

DATE 05-06-04

ROUTE S.R. 235

H.C. CANTERBURY

WEATHER SUN

COUNTY WOOD

R.C. ARMS

TEMP. +65°

TOWNSHIP JACKSON

SECTION 35

T 3 N R 9 E

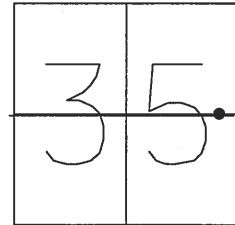
TYPE MONUMENT P.K. + WASHER

ON SURFACE YES

LEFT - Q PAV'T 3.7'

5.9' TO LT. EDGE PAVEMENT

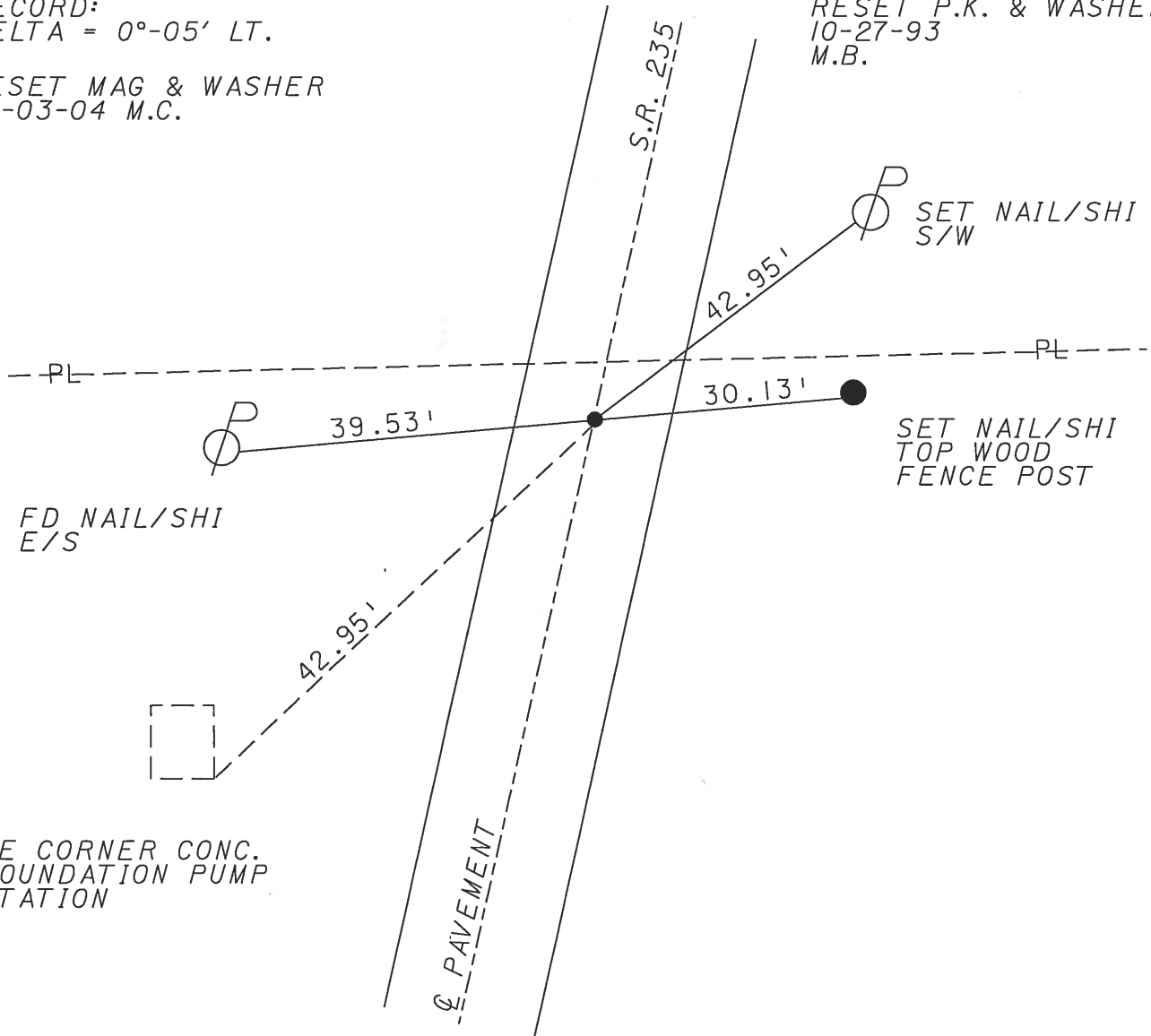
S.L.M. 27+01



RECORD:
DELTA = 0°-05' LT.

RESET MAG & WASHER
08-03-04 M.C.

RESET P.K. & WASHER
10-27-93
M.B.

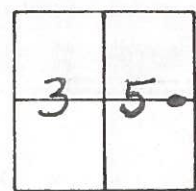


O.D.O.T. DISTRICT 2 SURVEY OFFICE

PERSONNEL _____ REFERENCE NO. 2 SHEET 1 OF 3

NOTES OTTO
 H.C. KUSZ DATE 7-21-93 ROUTE SR 235
 R.C. BARNHISEL WEATHER Cloudy COUNTY WOOD
 _____ TEMP. +72° TOWNSHIP Jackson
 _____ SECTION 35
 _____ T 3 N R 9 E

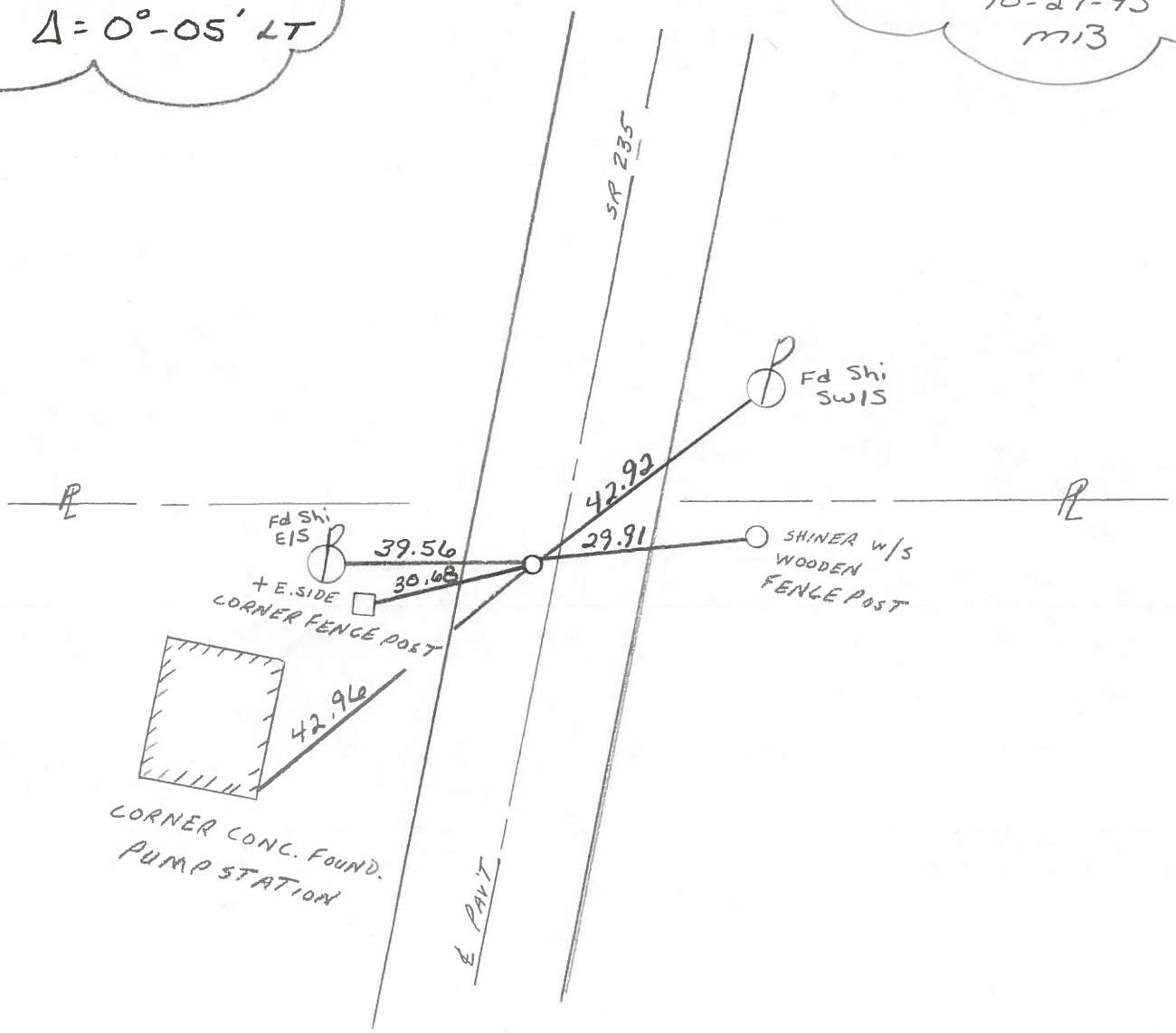
TYPE MONUMENT PK & WASHER
 ON SURFACE - ~~BELOW~~ yes
 LEFT-~~Q~~ PAV'T. - ~~RIGHT~~ 3.4
6.4 TO LT EDGE PAVEMENT
 S.L.M. 27 + 01



Resurvey 2004

RECORD:
 $\Delta = 0^{\circ} - 05' \text{ LT}$

RESET PK & WASHER
 10-27-93
 M13



County WOOD S.R. 235

Township JACKSON

Section _____

T3N, R9E

Personnel BARNDHISEL HC

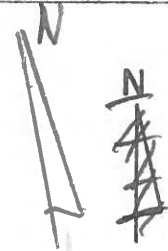
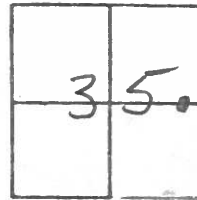
HOUSEHOLDER R.C.

LOEHRKE

Date 11-28-83

Weather RAIN.

Temp. +40°



Fd: RR SPIKE @ SURFACE

SLM 26+95

3.7 LF of $\frac{1}{4}$ PAVT SR235

#2

$\Delta = 0^{\circ} - 05' LT.$

PT 'A' Fd PK NAIL 1" BELOW SURFACE

SET PK + WASHER

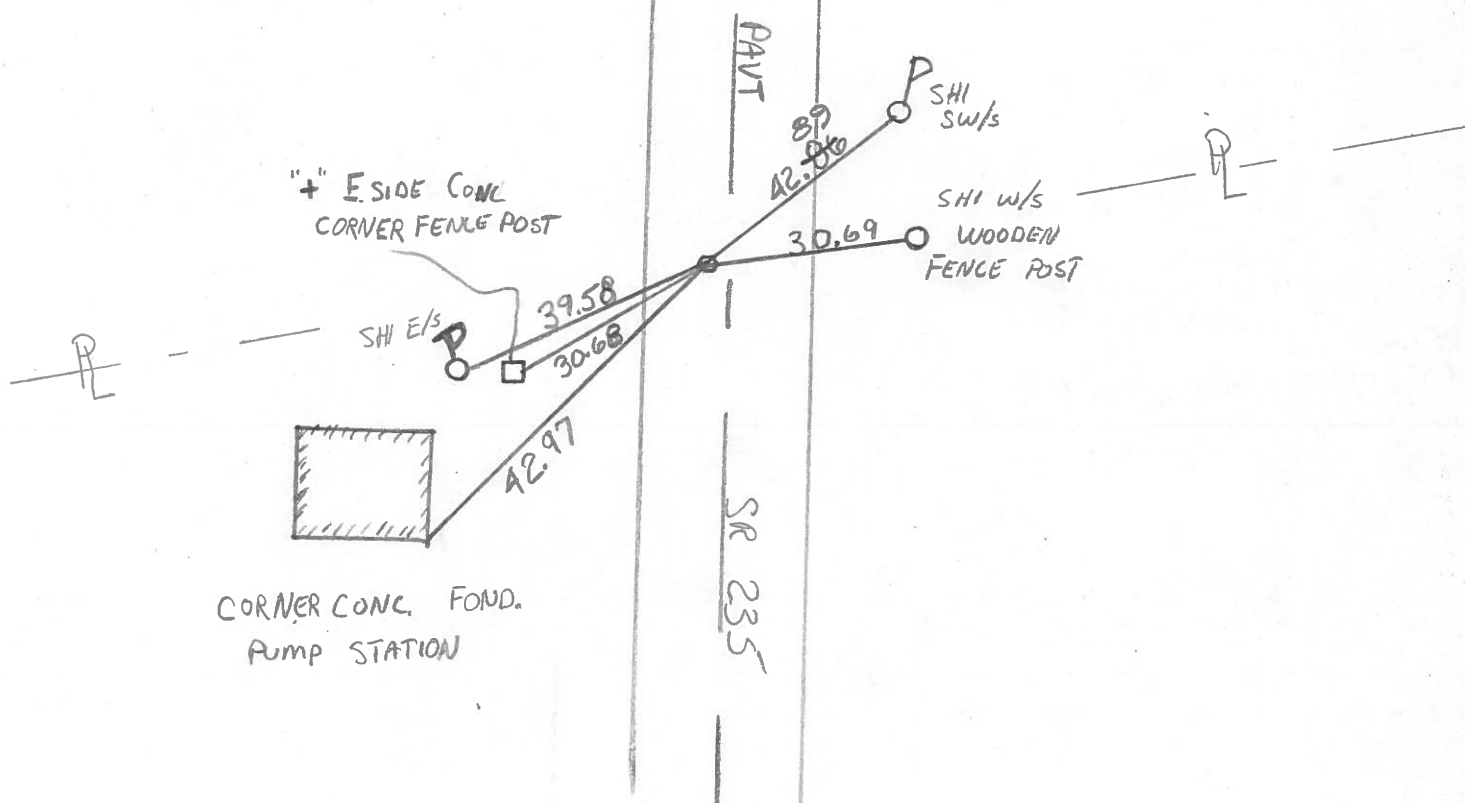
SLM 39+60 \pm

7-25-85

No Ties Available

ORIGIN UNKNOWN

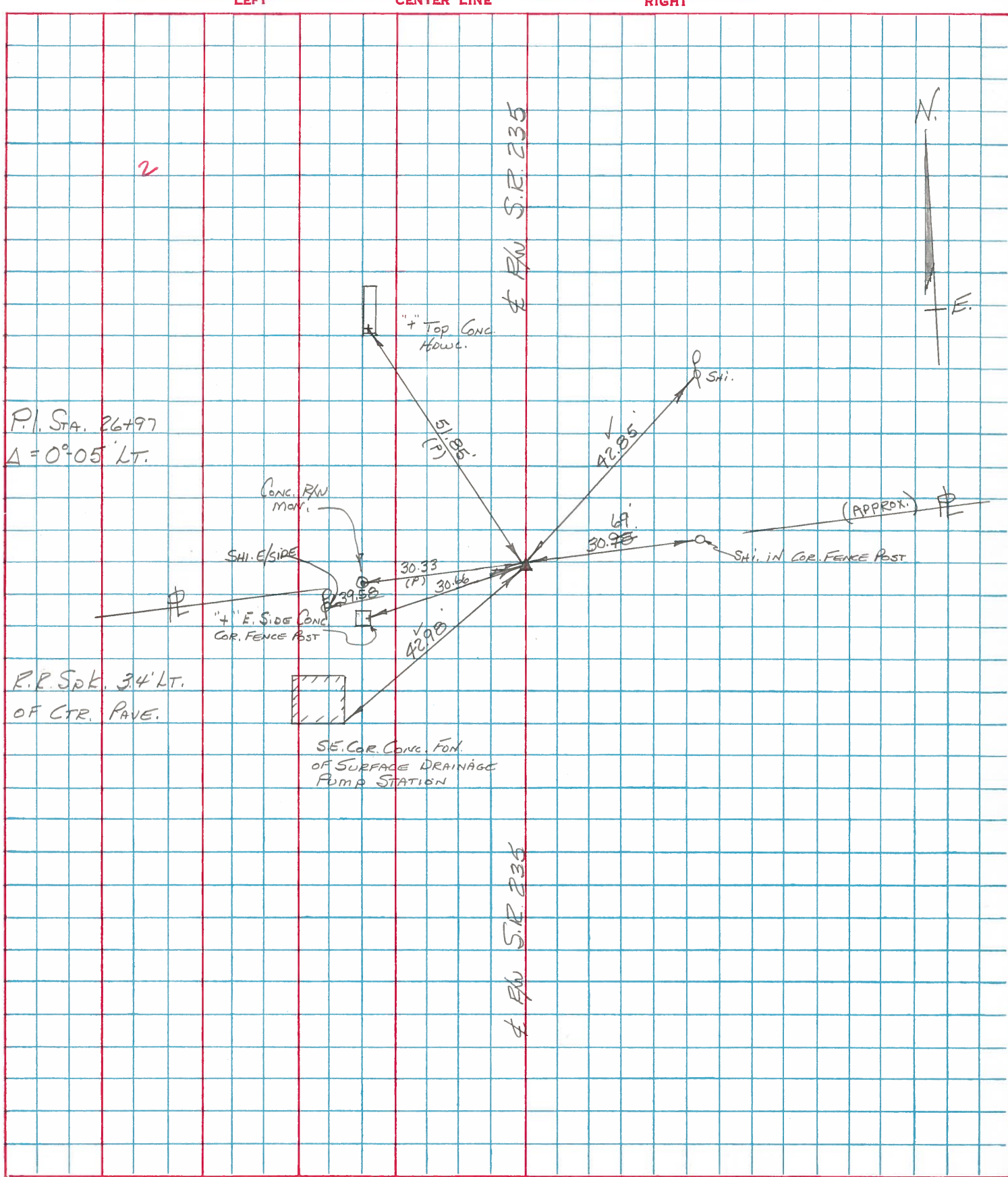
C.L.



PERSONNEL	TITLE	PERSONNEL	TITLE
BURNSIDE			
SMITH			
POWERS			
MEAD			

COUNTY WOOD WEATHER CLOUDY
 S. R. 235 TEMP. +36°
 SEC. 35 JACKSON TWP.

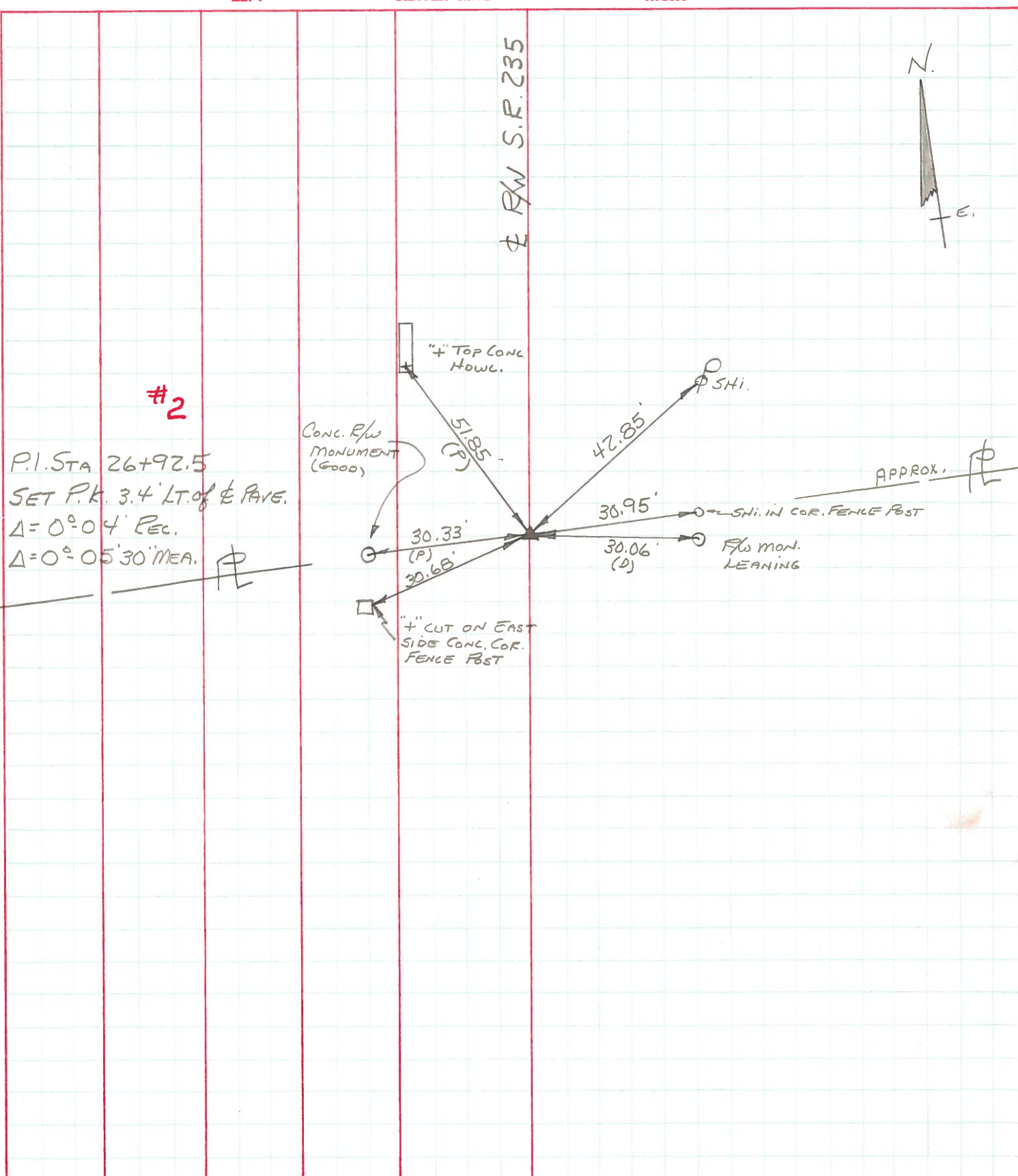
DESCRIPTION ± CONTROL TIES JOB NO. _____



PERSONNEL	TITLE	PERSONNEL	TITLE
BURNSIDE			
SMITH			
BOWERS			

COUNTY Wood DATE 4-28-72
 S. R. 235 WEATHER CLEAR
 SEC. 35 TEMP. +60°

DESCRIPTION CONTROL POINTS JOB NO. _____



#2
 P.I. STA 26+92.5
 SET P.K. 3.4' LT. of ± PAVE.
 $\Delta = 0^\circ 04' \text{ REC.}$
 $\Delta = 0^\circ 05' 30'' \text{ MEA.}$

CONC. R/W
 MONUMENT
 (GOOD)

4" TOP CONC
 HOWL.

30.33'
 (P)
 30.68'

4" CUT ON EAST
 SIDE CONC. COR.
 FENCE FBST

42.85'
 4" SHI.

30.95'
 4" SHI. IN COR. FENCE FBST

30.06'
 (D)
 R/W MON.
 LEARNING

APPROX.