

O.D.O.T. DISTRICT 2 SURVEY OFFICE (USE ONLY)

PERSONNEL _____ REFERENCE NO. 9 A SHEET 7 OF 26
 NOTES RHOADES DATE 8-27-15 ROUTE SR 235
 H.C. O'DONNELL WEATHER CLOUDY COUNTY WOOD
 R.C. RHOADES TEMP. 50°F TOWNSHIP JACKSON
 _____ SECTION 11
 _____ T 3 N R 9 E

TYPE MONUMENT STONE

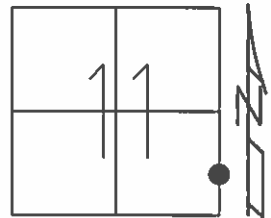
~~ON SURFACE~~ - BELOW 8"

LEFT - ☉ PAV'T - ~~RIGHT~~ 24.0'

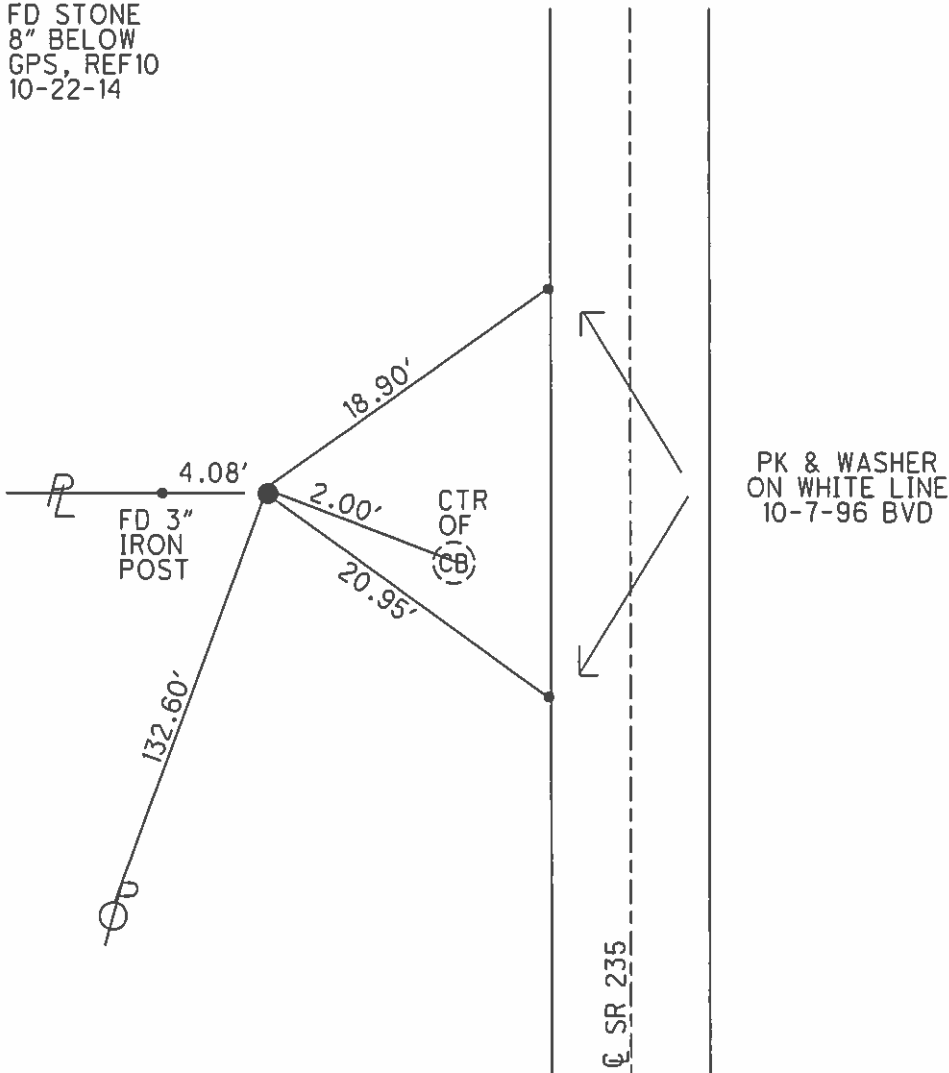
14' L TO LT EDGE PAVEMENT

S.L.M. 226+40.03

Grid: Northing: 572198.049 Easting: 1615114.001



RECORD:
 FD STONE
 8" BELOW
 GPS, REF10
 10-22-14



O.D.O.T. DISTRICT 2 SURVEY OFFICE

PERSONNEL

REFERENCE NO. 9-A

SHEET 6 OF 23

NOTES Homan

DATE 9-24-03

ROUTE 235

H.C. Nuhfer

WEATHER Cloudy

COUNTY WOOD

R.C. Ballmer

TEMP. 50°

TOWNSHIP JACKSON

SECTION 11

T 3 N R 9 E

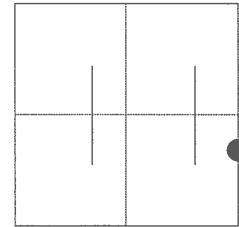
TYPE MONUMENT Stone

~~ON SURFACE~~ - BELOW 4"

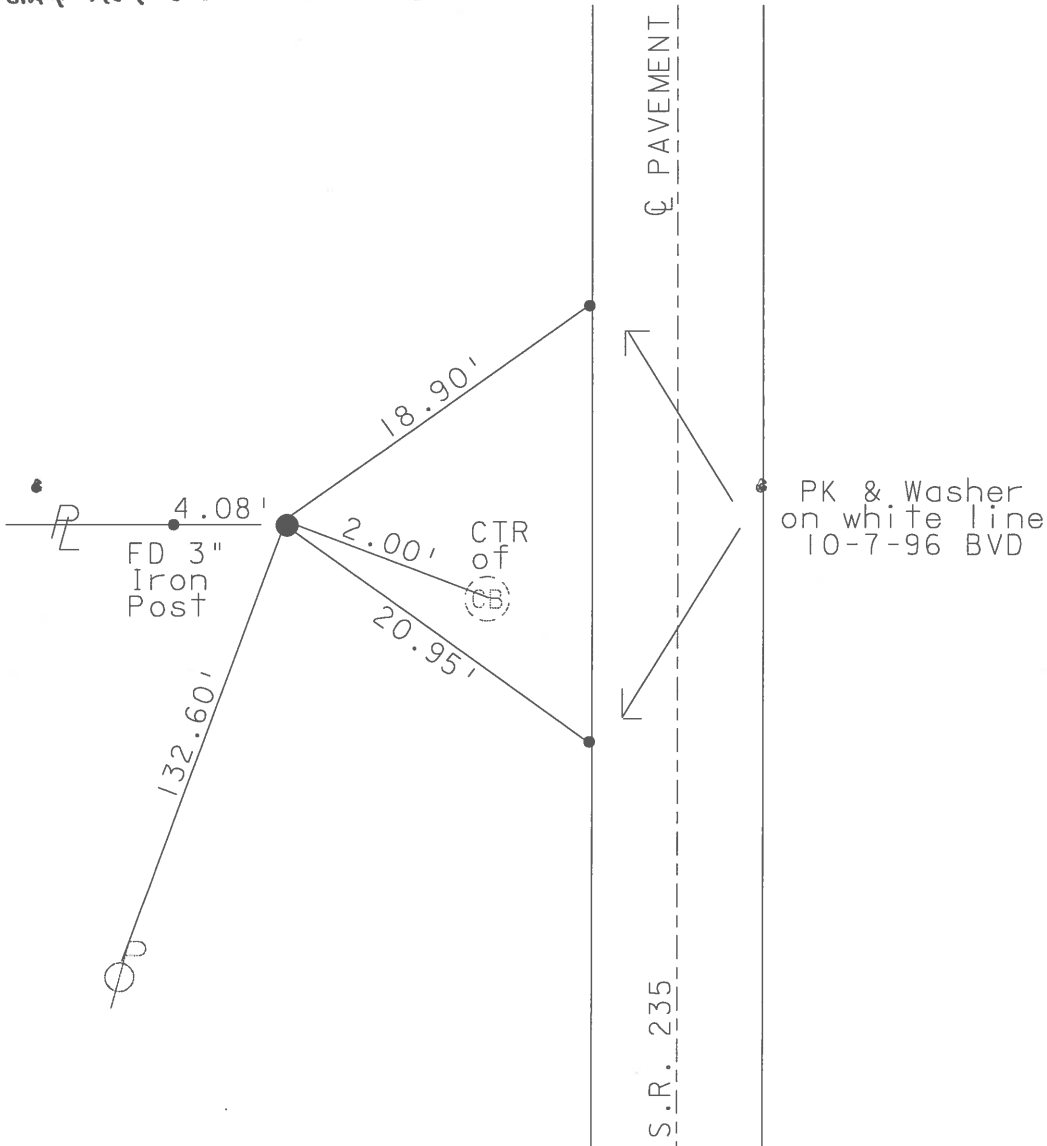
~~LEFT - C PAV'T - RIGHT~~ 24.0'

14' L TO LT EDGE PAVEMENT

S.L.M. 225+37



Point Not Disturbed 2003



O.D.O.T. DISTRICT 2 SURVEY OFFICE

PERSONNEL _____

REFERENCE NO. 9-A

SHEET 5 OF 28

NOTES HUSS

H.C. MOSEB

DATE 5-21-96

ROUTE 235

R.C. HUSS

WEATHER SUNNY

COUNTY WOOD

TEMP. +71°F

TOWNSHIP JACKSON

SECTION 11

T 3 N R 9 E

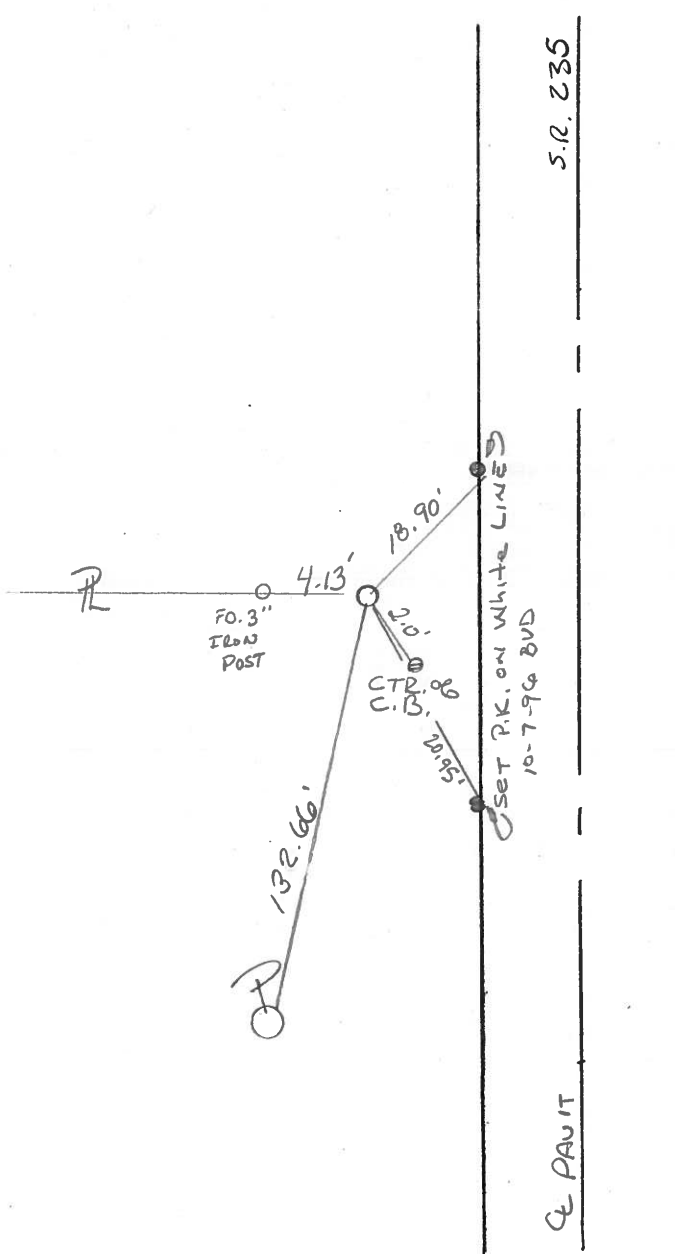
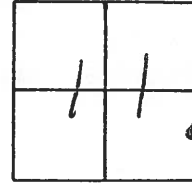
TYPE MONUMENT STONE

ON SURFACE - BELOW YES

LEFT - ~~C~~ PAVT. - RIGHT 24.0'

14' LT TO LT EDGE PAVEMENT

S.L.M. 225+37



O.D.O.T. DISTRICT 2 SURVEY OFFICE

PERSONNEL _____

REFERENCE NO. 9-A SHEET _____ OF _____

NOTES BARNHISEL

H.C. Loehrke

R.C. HOFFMAN

DATE 6-3-86

WEATHER SUNNY

TEMP. +52°

ROUTE 235

COUNTY WOOD

TOWNSHIP JACKSON

SECTION 11

T 3 N R 9 E

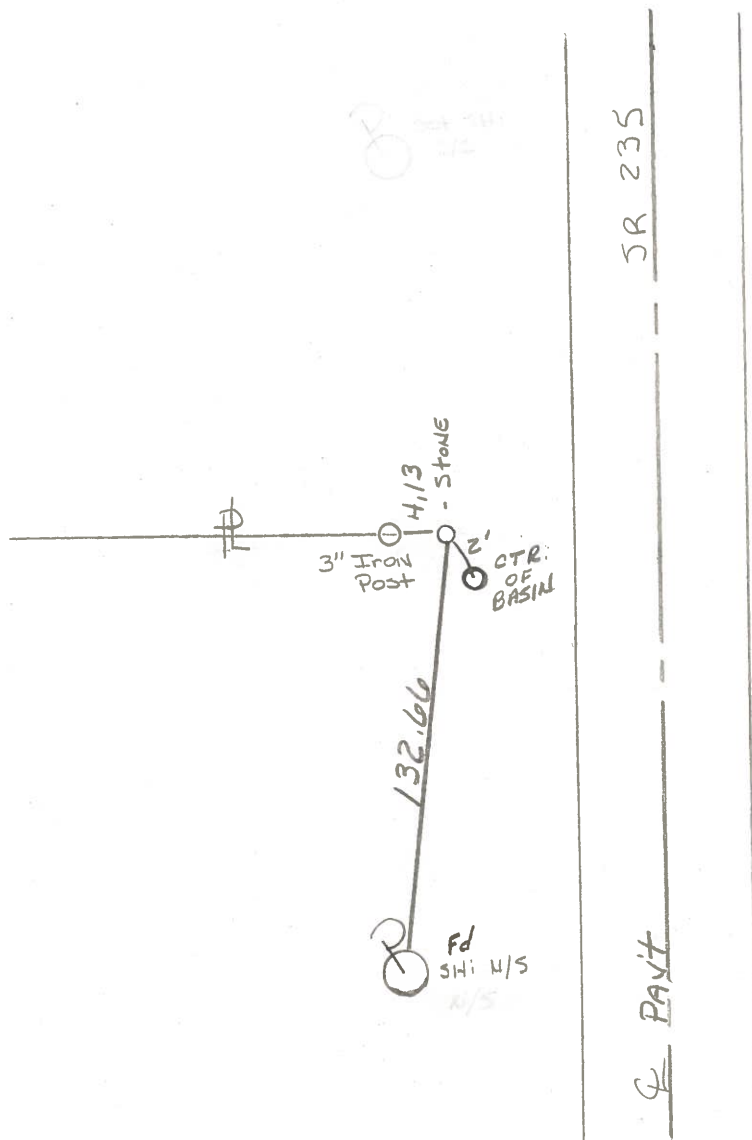
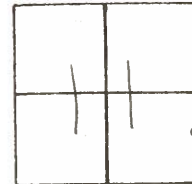
TYPE MONUMENT STONE

ON SURFACE - ~~BELOW~~ YES

LEFT - & PAV'T. - ~~RIGHT~~ 24'

14.6 TO LT EDGE PAVEMENT

S.L.M. 225+47



PERSONNEL TITLE PERSONNEL TITLE
 BURNSIDE _____
 SMITH _____
 BOWERS _____
 MEAD _____

COUNTY Wood
 S. R. 235
 SEC. 12 & 11

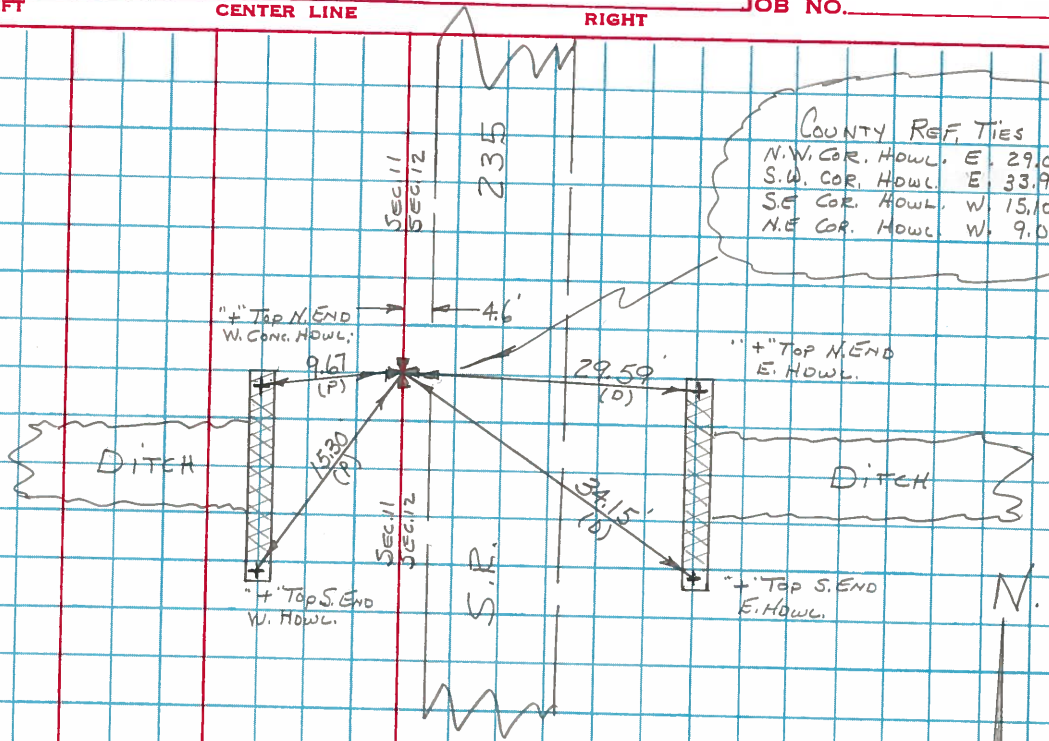
DATE 12-17-75
 WEATHER Cloudy
 TEMP. +20°

DESCRIPTION & CONTROL TIES

LEFT CENTER LINE RIGHT JOB NO.

10
 E 1/4 Post Sec. 11
 T-3-N R-9-E
 JACKSON TWP.
 WOOD COUNTY

Co. TIES GOOD
 SET 1/2" I. PIPE

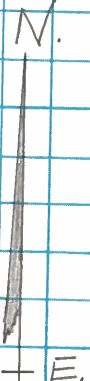
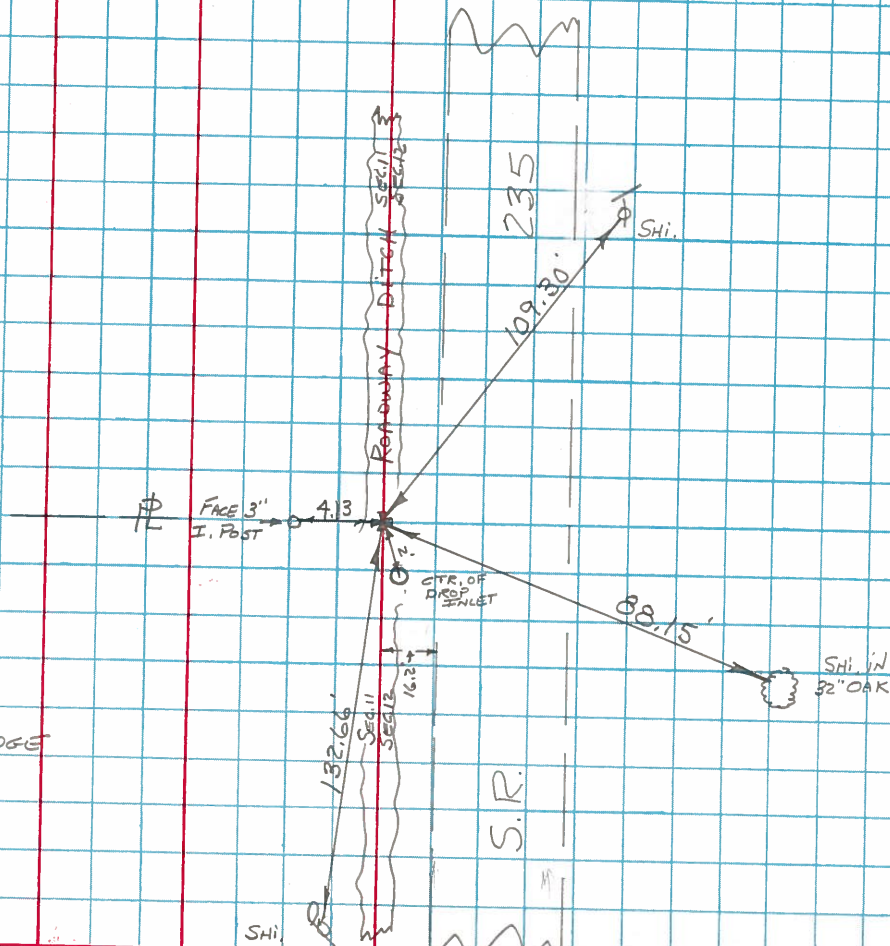


COUNTY REF. TIES
 N.W. COR. HOWL. E. 29.0'
 S.W. COR. HOWL. E. 33.9'
 S.E. COR. HOWL. W. 15.10
 N.E. COR. HOWL. W. 9.0

9-A

W 1/4 OF S.W. 1/4 SEC. 12
 T-3-N R-9-E
 JACKSON TWP.
 WOOD COUNTY

STONE - 16.2' W. OF W. EDGE
 PAVE. IN BOTTOM OF
 ROADWAY DITCH



PERSONNEL TITLE PERSONNEL TITLE

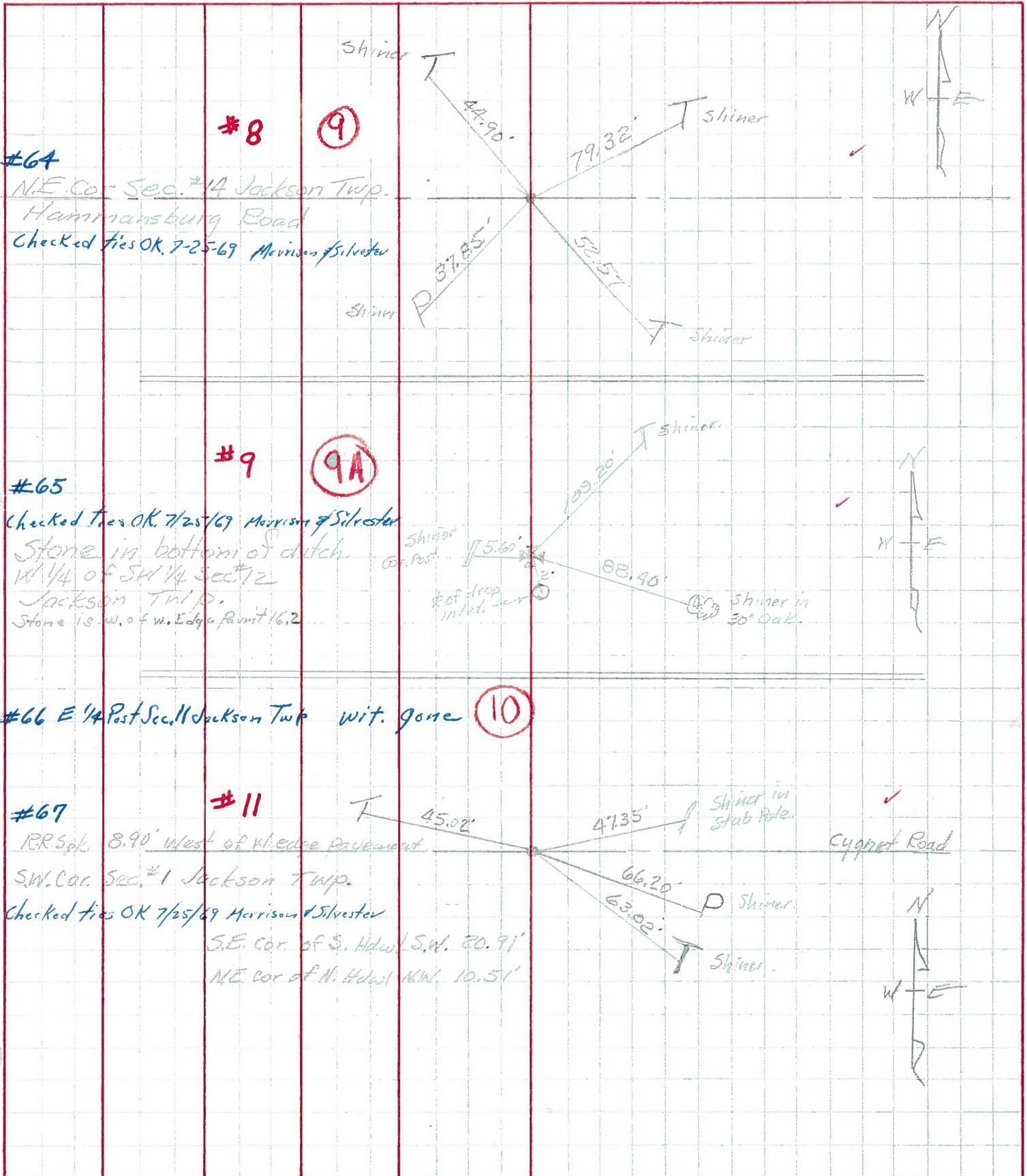
COUNTY Wood. DATE April, 23, 1969

S. R. #235 (old SR#69) WEATHER Cloudy & Rain

SEC. Hammansburg Rd. North TEMP. ± 45°

DESCRIPTION Ties to Control points JOB NO. _____

LEFT CENTER LINE RIGHT



PERSONNEL TITLE PERSONNEL TITLE

COUNTY Wood DATE OK 12-13-57

S. R. #69 WEATHER 4-14-60
1-18-66

SEC. A, B, C TEMP.

DESCRIPTION From Hoytsville - North JOB NO.

LEFT CENTER LINE RIGHT

<p>S.E. Cor. sec. 14 Jackson Twp. Iron pin over stone. O.I. Center Rd. #62 7</p>	<p>✓ Shi. in 12" Hickory N.W. 46.38 ✓ Shi. in Tele. Pole N.E. 26.95 Conc. man. (No.G.) N.E. 25.12 ✓ Conc. man. (Leaning) N.W. 32.00 31.51 Conc. man. (Gone) W.S.W. 34.0 ✓ Vertical pipe of water well S.W. 50.50 ✓ Shi. in 12" Hickory N.N.W. 60.23</p>
<p>E. 1/4 post sec. 14 Jackson Twp. Iron pin over stone 2' E. of E. Edge Part #63 8</p>	<p>Conc. man. Broke with A.D. (N.E.) 35.3 ✓ Conc. man. Not Plumb N.E. 35.70 35.81 Conc. man. (Gone) N. of E. 19.45 19.76 ✓ Shi. in T. Pole S.E. 25.45 25.63 ✓ Shi. in 14" spruce N.E. 38.62 ✓ Shi. in 14" spruce N.N.E. 49.78 Shi. in P. Pole S.W. 56.66</p>
<p>N.E. Cor. sec. 14 Jackson Twp. F.R. spk. over stone Hammansburg Rd. #64 9</p>	<p>S. to x-on N. end W. about. No Good 8.60' E.S.E. to x-on N. end E. about. No Good 36.50' ✓ S.E. to shiner in T.P. 52.57 52.56 ✓ S.S.W. to shiner in P.P. 37.85 ✓ N.W. to man. (Leaning) Plumb 36.83' ✓ Shi. in T. Pole N.W. 40.55 ✓ Shi. in T. Pole N.E. 29.32</p>
<p>W 1/4 of the S.W. 1/4 sec. 12 Found stone #65 9-A</p>	<p>✓ Stone W. of wedge of part. 16.2' ✓ E. of C.B. S.E. 20' 1st iron fence post N.N.W. Gone 16.20' Iron sign post stake S.S.W. 13.0' ✓ Anchor post W. 5.60 Shi. in 30" oak S.E. 88.40 Shi. in T.P. N.N.E. 109.20</p>
<p>E. 1/4 post sec. 11 Jackson Twp. (Ties No Good 12-13-57) " " " (1-18-66) #66 10</p>	<p>Br. oak 10" S.E. 1.77' Center of C.B. S.W. 24 lbs</p>