

O.D.O.T. DISTRICT 2 SURVEY OFFICE (USE ONLY)

PERSONNEL

REFERENCE NO. 17

SHEET 17 OF 26

NOTES RHOADES

DATE 8-26-15

ROUTE SR 235

H.C. O'DONNELL

WEATHER CLOUDY

COUNTY WOOD

R.C. RHOADES

TEMP. 65°F

TOWNSHIP MILTON

DWG BY WHITAKER

PID R/W STAKE

SECTION 26

T 4 N R 9 E

TYPE MONUMENT R.R.SPIKE

~~ON SURFACE~~ - BELOW 5"

OFFSET  $\text{C}$  PAVEMENT 7.6' ~~LT~~ : RT

1.7' TO RT EDGE PAVEMENT

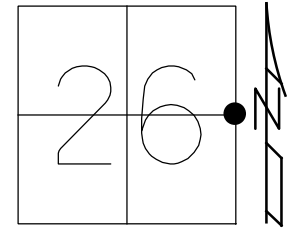
STATION: 398+95.74

HORIZ.DATUM: NAD83 2011

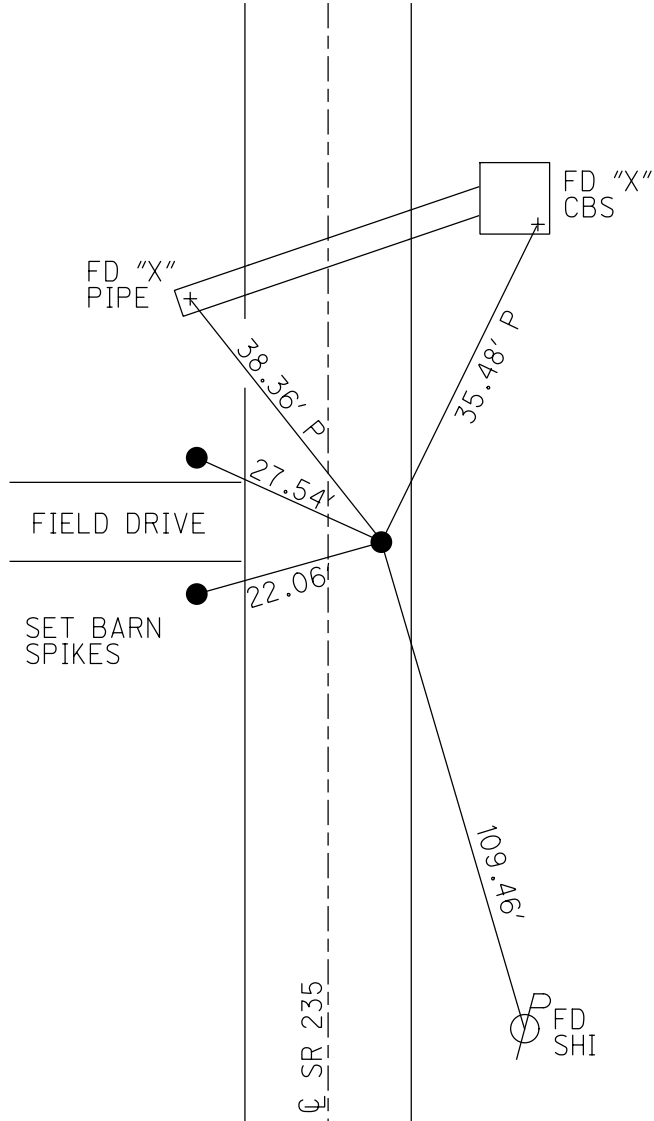
GEOID: NAVD88 2018

GRID: NORTHING: 589418.989

EASTING: 1615083.425



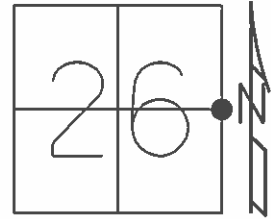
RECORD  
 SET MAG/WASHER  
 10-10-03, DCH  
 FD R.R.SPIKE  
 REF20  
 10-22-14  
 REF17  
 8-26-15  
 SET MAG/WASHER  
 NEWREF17  
 7-28-16, DCH  
 FD MAG/WASHER  
 REF17  
 4-29-22, DSA



O.D.O.T. DISTRICT 2 SURVEY OFFICE (USE ONLY)

PERSONNEL \_\_\_\_\_ REFERENCE NO. 17 SHEET 17 OF 26  
 NOTES RHOADES DATE 8-26-15 ROUTE SR 235  
 H.C. O'DONNELL WEATHER CLOUDY COUNTY WOOD  
 R.C. RHOADES TEMP. 65°F TOWNSHIP MILTON  
 \_\_\_\_\_ SECTION 26  
 \_\_\_\_\_ T 4 N R 9 E

TYPE MONUMENT R.R.SPIKE  
~~ON SURFACE~~ - BELOW 5"  
~~LEFT~~ - ℄ PAV'T - RIGHT 7.6'  
1.7' TO RT EDGE PAVEMENT  
 S.L.M. 398+95.74



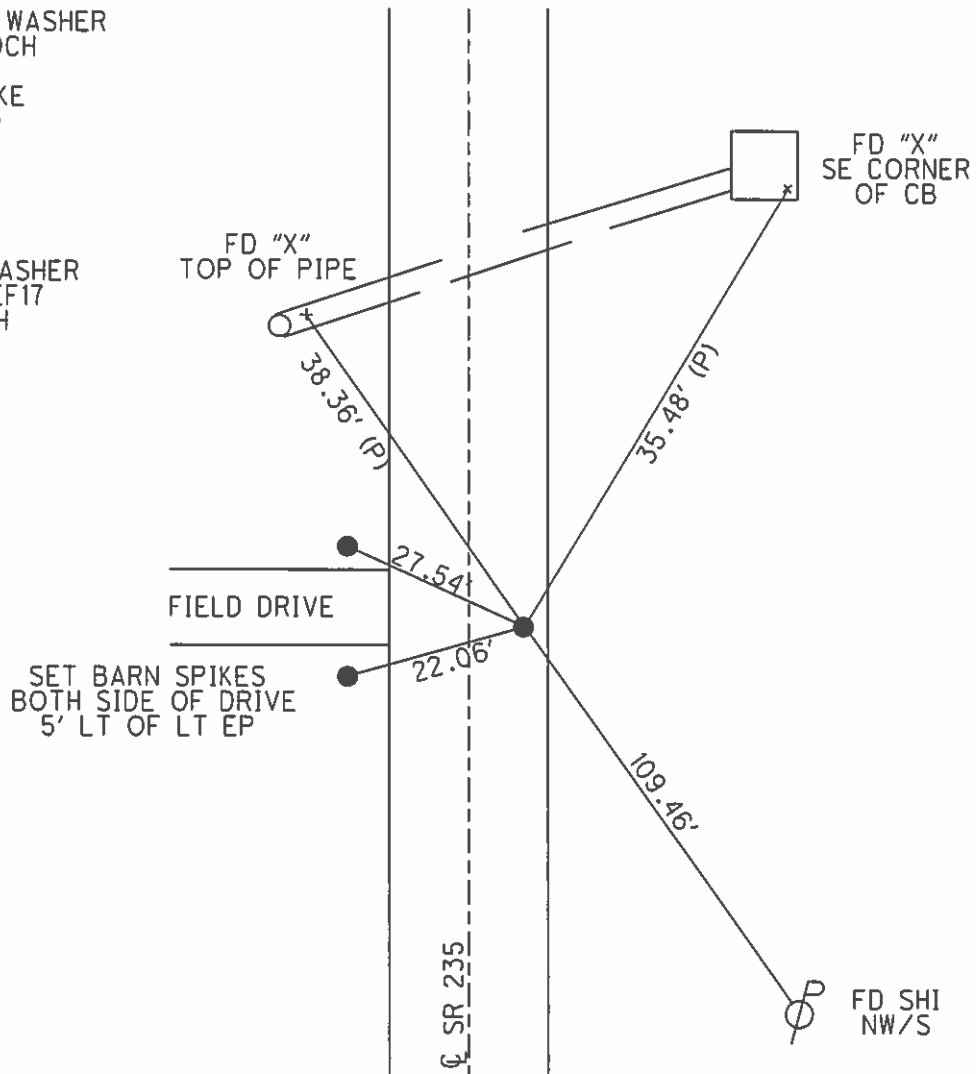
Grid: Northing: 589418.99 Easting: 1615083.4433

RECORD  
 SET MAG & WASHER  
 10-10-03, DCH

FD RR. SPIKE  
 GPS, REF20  
 10-22-14

GPS, REF17  
 8-26-15

SET MAG/WASHER  
 GPS, NEWREF17  
 7-28-16, DCH



O.D.O.T. DISTRICT 2 SURVEY OFFICE

PERSONNEL

REFERENCE NO. 17

SHEET 14 OF 23

NOTES Homan

DATE 9-25-03

ROUTE 235

H.C. Nuhfer

WEATHER Sunny

COUNTY WOOD

R.C. Ballmer

TEMP. 50°

TOWNSHIP MILTON

SECTION 26

T 4 N R 9 E

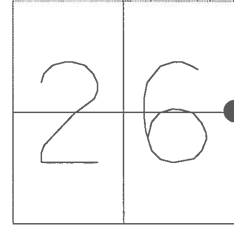
TYPE MONUMENT PK& Washer

ON SURFACE - BELOW on surface

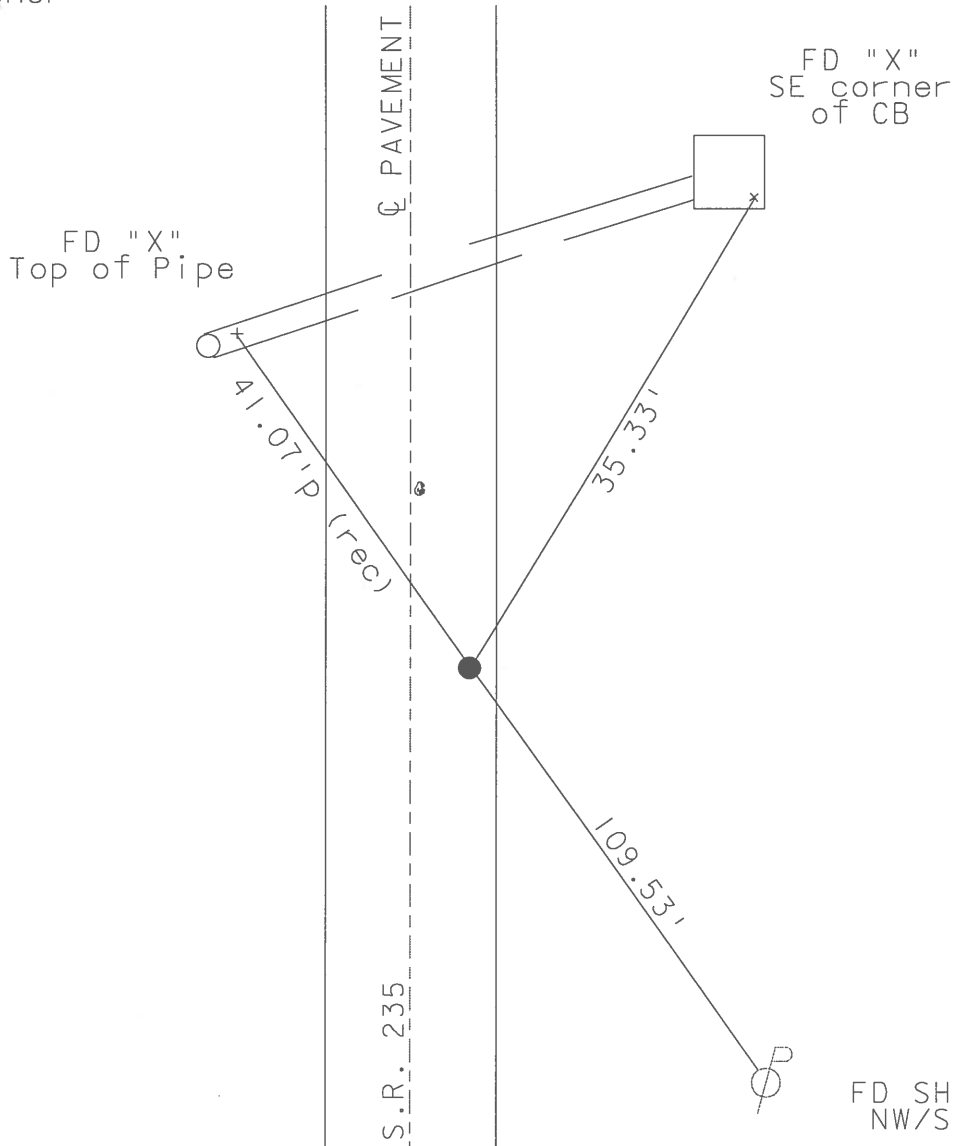
~~LEFT~~ -  $\phi$  PAV'T - RIGHT 7.6

1.7 TO RT EDGE PAVEMENT

S.L.M. 397+92



Set Mag & Washer  
10-10-03  
DCH



O.D.O.T. DISTRICT 2 SURVEY OFFICE

PERSONNEL

REFERENCE NO. 17

SHEET 13 OF 28

NOTES VAN DUSEN

H.C. MOSEER

DATE 7-30-96

ROUTE 235

R.C. STIEFLER

WEATHER CLOUDY

COUNTY WOOD

TEMP. +70° F

TOWNSHIP MILTON

SECTION 26

T4 N R 9 E

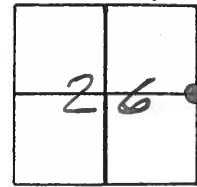
TYPE MONUMENT SM. R.R. SPK.

ON SURFACE - BELOW YES

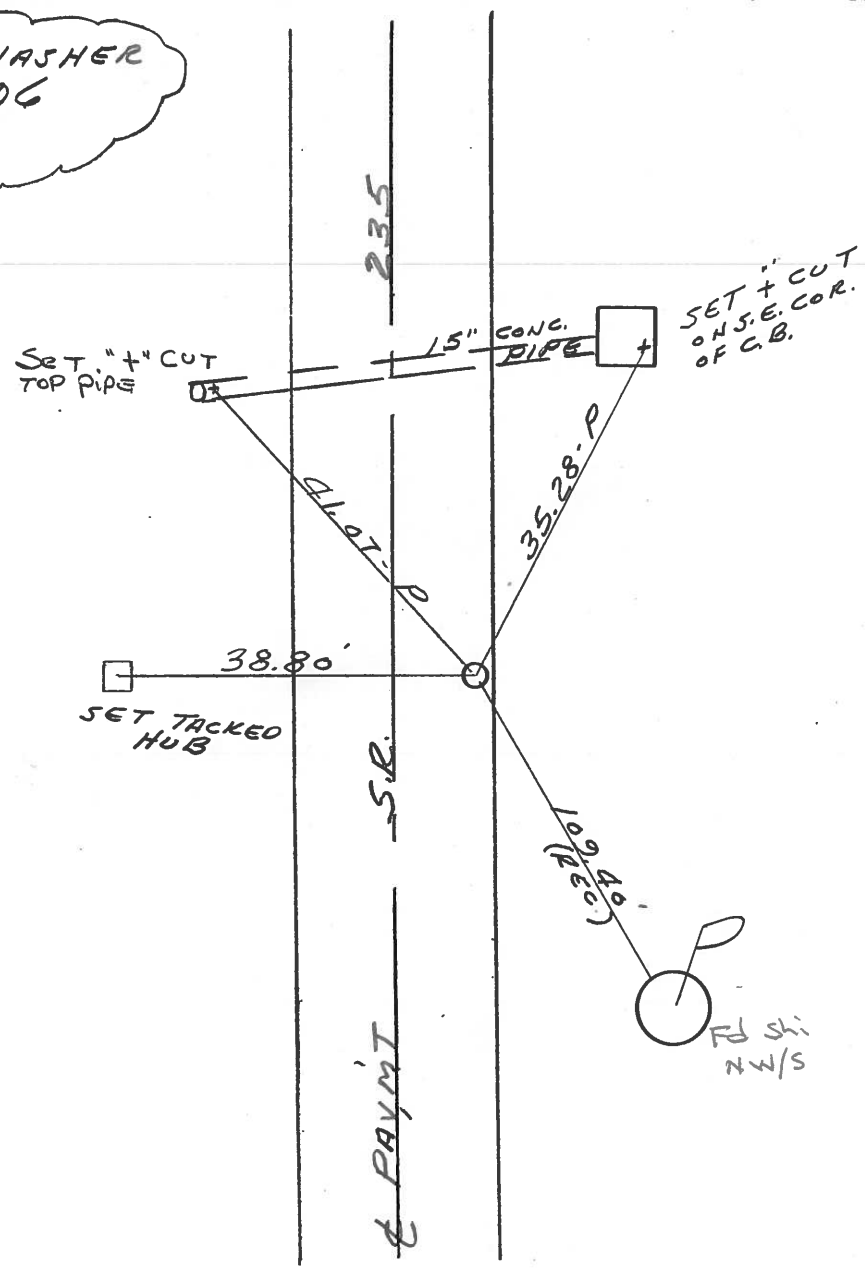
LEFT - & PAV'T. - RIGHT 7.6

1.2 TO RT. EDGE PAVEMENT

S.L.M. 397+92



SET PK & WASHER  
10-7-96  
BVD



O.D.O.T. DISTRICT 2 SURVEY OFFICE

PERSONNEL

REFERENCE NO. 17

SHEET \_\_\_\_\_ OF \_\_\_\_\_

NOTES BARNHISEL

H.C. Loehrke

R.C. HOFFMAN

DATE 6-3-86

WEATHER SUNNY

TEMP. +65°

ROUTE 235

COUNTY WOOD

TOWNSHIP MILTON

SECTION 26

T4 N R 9 E

TYPE MONUMENT Sm RR Spk

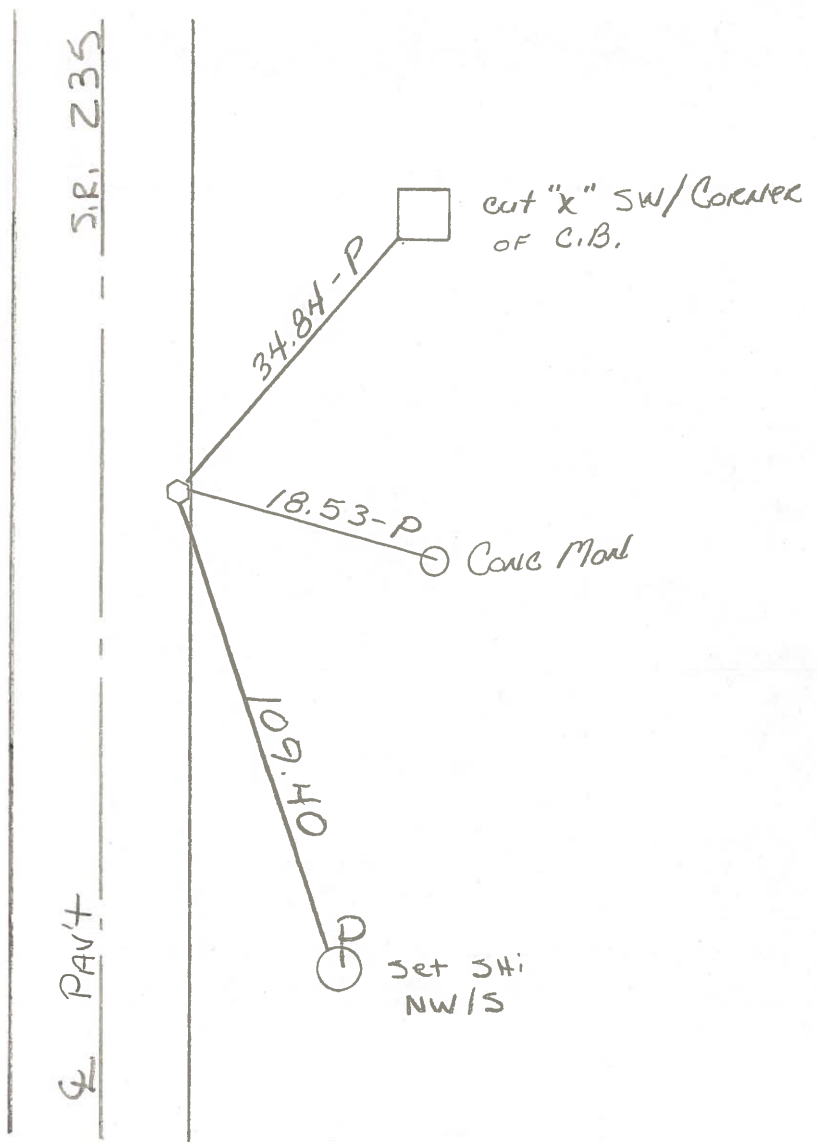
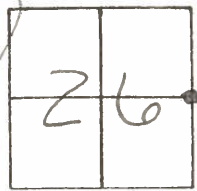
~~ON SURFACE~~ - BELOW 1"

LEFT - & PAV'T. - RIGHT 7.7

1.5 FT TO RT EDGE PAVEMENT

S.L.M. 397+97

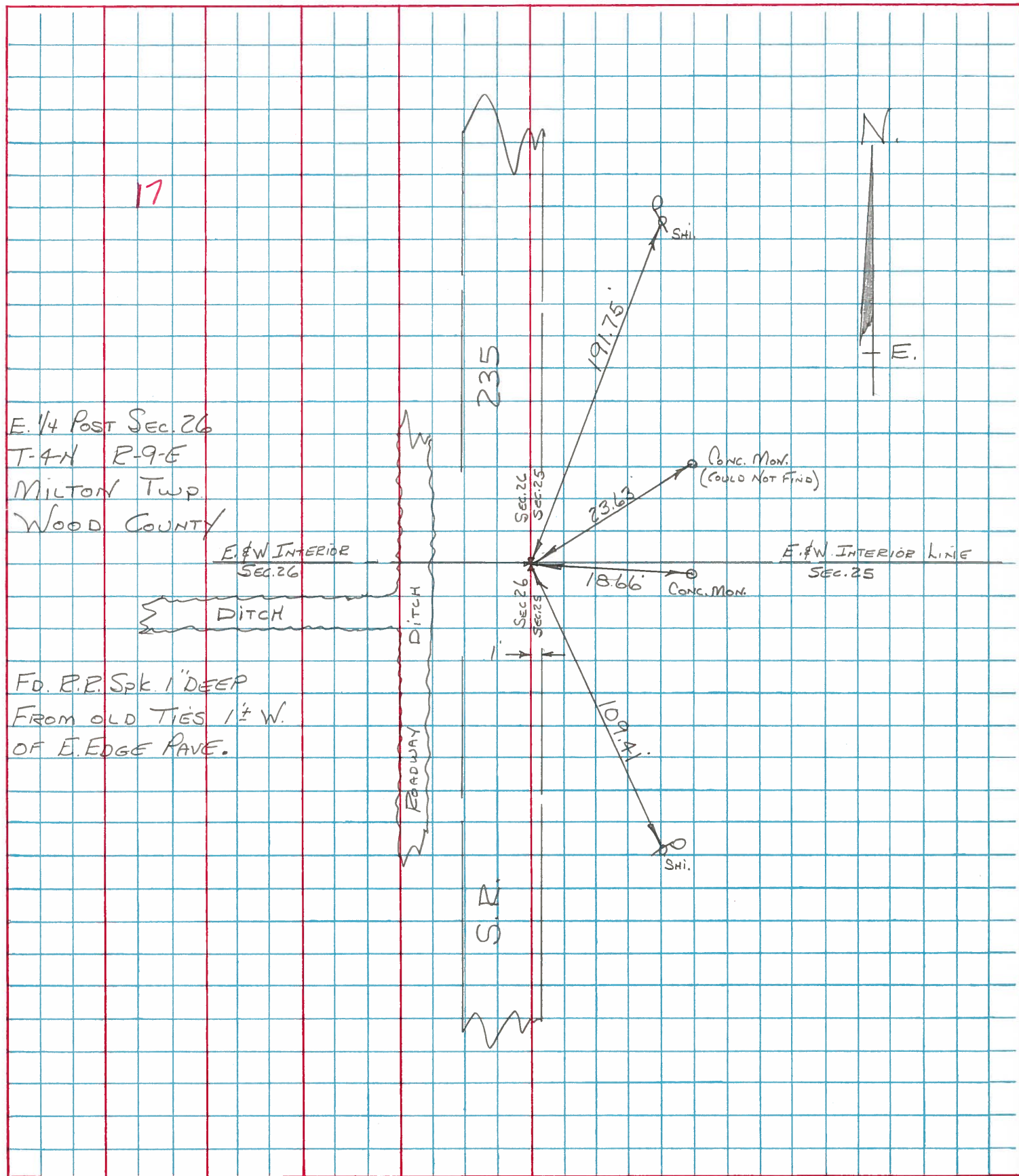
Set Sm RR Spk  
6-27-86  
MDB



PERSONNEL	TITLE	PERSONNEL	TITLE
BURNSIDE			
SMITH			
BOWERS			
MEAD			

COUNTY WOOD DATE 1-5-76  
 S. R. 235 WEATHER CLEAR  
 SEC. E 1/4 Post Sec. 26 TEMP. +16°

DESCRIPTION CONTROL TIES (SEC. CORNERS) JOB NO. \_\_\_\_\_





PERSONNEL TITLE PERSONNEL TITLE COUNTY Wood DATE 7-69  
SILVESTER \_\_\_\_\_  
 \_\_\_\_\_  
 \_\_\_\_\_ S. R. #235 WEATHER \_\_\_\_\_  
 \_\_\_\_\_ SEC. \_\_\_\_\_ TEMP. \_\_\_\_\_

DESCRIPTION	LEFT	CENTER LINE	RIGHT	JOB NO.
#73 N.W. Cor. Sec. 36 Milton Twp Stone 1' below Surface Set R.R. Spk. Bays Rd.	#16		Shiner in T. Pole S.E. 46.37 Ditch Marker (bearing) S.E. 42.75 S.E. Cor. E. Akut. S.E. 40.60 W. Cor. W " SW. 28.40 Shiner in P. Pole N.W. 34.80 " " " " N.N.W. 73.59 " " " " N.N.E. 103.92	
#74 W. 1/4 Past Sec 25 Milton Twp. RR Spk on a line N.W. & S.W. Cor. Posts 10' W. of E. edge of Pavmt. Found Iron Pipe on E. Edge of Pavmt. F/R.R. Spk. 5" below Surface 1' W. of E. Edge Pavmt.	#17		T. Pole S.W. 46.20 Conc. Meri NE, 23.63 " " S. of E. 18.66 Shiner in P. Pole S.S.E. 109.30	
#75 S.E. Cor. sec. 23 Milton Twp. Stone R.R. Spk. S.P. 281.	#18		N.E. to Shiner in P. Pole 44.65 S.W. " " " T. " 59.70 S.S.W. " " " " 64.41 S.E. " " " " 67.75	

PERSONNEL TITLE PERSONNEL TITLE

COUNTY Wood DATE MARCH 26 1968

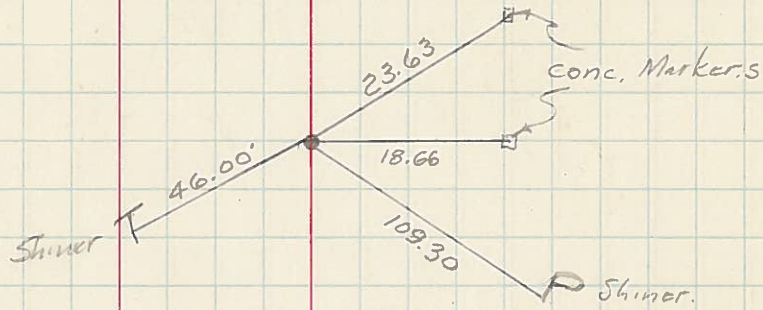
S. R. # 69 WEATHER Cloudy Showers

SEC. \_\_\_\_\_ TEMP. +45°

DESCRIPTION Ties to Control Points JOB NO. \_\_\_\_\_

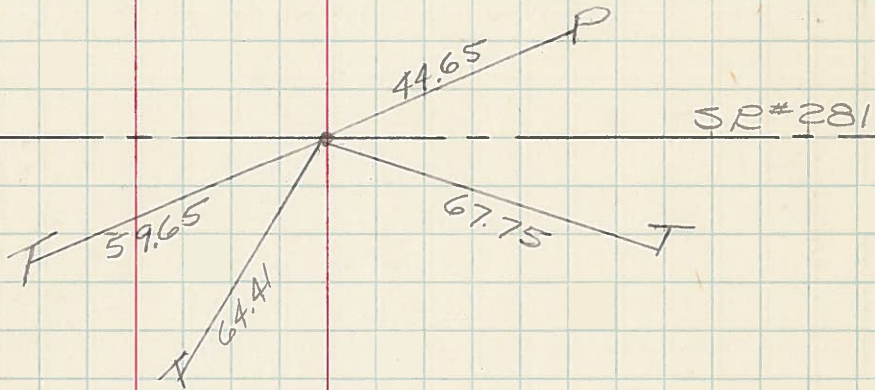
W 1/4 Post. Sec. #25  
Milton Twp.  
T4N-R.9E.

17



N.W. Cor Sec. #25  
Milton Twp.  
T4N-R.9E.

18



SR#281



PERSONNEL	TITLE	PERSONNEL	TITLE

COUNTY Wood DATE Oct 12-13-57  
 S. R. 69 WEATHER 4-14-60  
 SEC. \_\_\_\_\_ TEMP. \_\_\_\_\_

DESCRIPTION \_\_\_\_\_ LEFT \_\_\_\_\_ CENTER LINE \_\_\_\_\_ RIGHT \_\_\_\_\_ JOB NO. \_\_\_\_\_

DESCRIPTION	LEFT	CENTER LINE	RIGHT	JOB NO.
W. 1/4 part sec. 36 Milton Twp. Stone Did not find ✓ #72	15	SET SMALL SPK. 7-28-69	Shi. T. Pole E 21.02 Stone E 30.0 Stone W 30.0 Shi. P. Pole SW 43.30 Shi. Wild Cherry E 54.70 ✓ Shi. in T. Pole S.E. 46.31 ✓ Ditch marker leaning S.E. 42.75 ✓ S.E. cor. E. about S.E. 40.50 ✓ W. cor. W. about S.W. 28.35 ✓ Shiner in P.P. N.W. 34.80 <del>Iron sign stake N.E. gone 32.22</del> ✓ Shi. P.P. N.N.W. 78.5 Shi. P. Pole N.N.E. 103.92	
N.W. cor. sec. 36 Milton Twp. Stone 10' below surface of pavement. Set R.R. spike Baye Rd. #73	16	SET SMALL SPK. 7-28-69	<del>Fence post E 20.09</del> <del>Anchor post E 30.25</del> <del>Anchor post W. Sec. gone 31.75</del> ✓ T. Pole S.W. 46.20 ✓ Conc. mon. N.E. 23.43 23.75 ✓ Conc. mon. Spt E 15.66 18.78 ✓ Shi. P. Pole S.S.E. 109.30	
W. 1/4 part sec. 25. E. R. optional line N.W. 1/4 S.W. cor. posts 10' W. of E. edge of part. Fd. Iron pipe on E. edge of part. Fd. R.R. Spk. 5" below surface 1' W. of E. edge of part. #74	17	SET SMALL SPK. 7-23-69	✓ N.E. to shiner in P.P. 44.62 ✓ W.N.W. to shiner in P.P. 121.54 ✓ S.W. to shiner in T.P. 57.10 ✓ S.S.W. to shiner in T.P. 64.41 ✓ S.E. to shiner in T.P. 67.72	
S.E. cor. sec. 23 Milton Twp. Stone S.R. #281 ✓ R.R. spk. #75	18	Ties ok 7-28-69	High 53.00 ✓ Shiner in P.P. E 33.20' 34.04 ✓ Shiner in T.P. W. 35.25' 36.54	
W. 1/4 of S.W. 1/4 sec. 24 Fd. stone in W. bank of Det. Fd. Stone ✓ #75-A	18-A			

PERSONNEL	TITLE	PERSONNEL	TITLE

COUNTY Wood DATE 12-12-1957  
 S. R. #69 WEATHER 4-14-60  
 SEC. \_\_\_\_\_ TEMP. \_\_\_\_\_

DESCRIPTION	LEFT	CENTER LINE	RIGHT	JOB NO.
W. 1/4 post sec. 36 Milton Twp. Stone			Shiner T Pole E 21.02	
Did not find ✓ Found	#72	15	✓ Stone E. 30.0	
			✓ Stone W. 30.0	
N.W. Cor. sec. 36 Milton Twp. Stone 10' below surface of pavement. Set R.R. spike Boys Rd.	#73	16	Shiner P.P. S.W. 43.30	
			Shiner w. chert E. 54.70	
			✓ Shi. in T. Pole S.E. 46.37	
			✓ Ditch marker leaning S.E. 42.75 42.75	
			✓ S.E. cor. E. about, S.E. 40.60 40.45	
			✓ W. Cor. W. about, S.W. 20.40 20.20	
			✓ Shiner in P.P. N.W. 34.50 36.16	
			Iron sign stake N.E. 60.00 33.00	
			✓ Shi. P.P. N.N.W. 78.5	
			" " N.N.E. 103.92	
W. 1/4 post sec. 25. E.R. optional line N.W. & S.W. Cor. posts 10' W. of E. edge of post. Fd. iron pipe on E. edge of post. Fd. R.R. Spk. 5" below surface 1' W. of E. edge of post.	#74	17	<del>Corner Post E. 20.55</del>	
			<del>Anchor post E. 30.55</del>	
			<del>Busher post (W. Cor. gone) 50.70</del>	
			✓ T. Pole S.W. 46.20	
			✓ Conc. men. N.E. 23.63 23.75	
			✓ Conc. men. Spt E. 19.66 18.73	
			✓ Shi. P. Pole S.S.E. 109.30	
S.E. Cor. sec. 23 Milton Twp. Stone. ✓ R. E. spk.	S.E. #281	18	✓ N.E. to shiner in P.P. 44.60	
	#75		✓ W.N.W. to shiner in P.P. 121.50	
			✓ S.W. to shiner in T.P. 59.70 59.65	
			✓ S.S.W. to shiner in T.P. 64.41	
			✓ S.E. to shiner in T.P. 67.70	
W. 1/4 of S.W. 1/4 sec. 24 Fd. stone in W. bank of Del. Fd. Stone	#75A	18-A	Shiner in P.P. E. 33.80' 34.0'	
			Shiner in T.P. W. 35.85' 36.0'	

High Point



PERSONNEL	TITLE	PERSONNEL	TITLE

COUNTY Wood DATE 06-12-13-57  
 S. R. #69 WEATHER 4-14-60  
 SEC. \_\_\_\_\_ TEMP. 1-18-66

DESCRIPTION \_\_\_\_\_ LEFT \_\_\_\_\_ CENTER LINE \_\_\_\_\_ RIGHT \_\_\_\_\_ JOB NO. \_\_\_\_\_

DESCRIPTION	LEFT	CENTER LINE	RIGHT	JOB NO.
W. 1/4 post sec. 36 Milton Twp. Stone Did not find ✓			Stone E. 30.0 Stone W. 30.0	
	#72	15		
N.W. Cor. sec. 36 Milton Twp. Stone 1.0' below surface of pavement. Set R.R. spike Bays Rd.			✓ Shi. in T. Pole S.E. 46.37 ✓ Ditch marker leaning S.E. 42.75' 42.95 ✓ S.E. cor. E. abut. S.E. 40.50 40.45 ✓ W. Cor. W. abut. S.W. 28.35 28.30 ✓ Shiner in P.P. N.W. 34.80' 36.16 <del>Iron sign stake N.E. Gone 32.80</del> ✓ Shi. P.P. N.N.W. 78.5'	
	#73	16		
W. 1/4 post sec. 25. E.P. spk. on a line N.W. & S.W. Cor. posts 10' W. of E. edge of pavt. Fd. iron pipe on E. edge of pavt. Fd. R.R. Spk. 5" Below Surface 1' W. of E. edge pavt.			<del>Fence Post E. 20.05</del> <del>Anchor post E. 20.05</del> <del>Anchor post W.S.W. Gone 36.78</del> ✓ T. Pole S.W. 46.20' ✓ Conc. mon. N.E. 23.63 23.73 ✓ Conc. mon. Spt E. 18.66 18.78 ✓ Shi. P. Pole S.S.E. 109.30'	
	#74	17		
S.E. Cor. sec. 23 Milton Twp. Stone. S.R. #281 ✓ R.R. spk.			✓ N.E. to shiner in P.P. 44.65 ✓ W.N.W. to shiner in P.P. 121.54 ✓ S.W. to shiner in T.P. 59.65' ✓ S.S.W. to shiner in T.P. 64.41' ✓ S.E. to shiner in T.P. 67.75	
	#75	18		
W. 1/4 of S.W. 1/4 sec. 24 Fd. Stone in W. bank of Dch. Fd. Stone ✓			✓ Shiner in P.P. E. <sup>High Point</sup> 33.80' 34.0' ✓ Shiner in T.P. W. 35.85' 36.0'	
	#75-A	18-A		