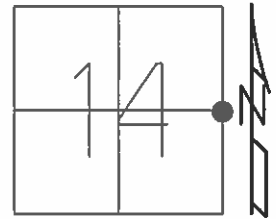


O.D.O.T. DISTRICT 2 SURVEY OFFICE (USE ONLY)

PERSONNEL \_\_\_\_\_ REFERENCE NO. 21 SHEET 24 OF 26  
 NOTES RHOADES DATE 8-26-15 ROUTE SR 235  
 H.C. O'DONNELL WEATHER CLOUDY COUNTY WOOD  
 R.C. RHOADES TEMP. 65°F TOWNSHIP MILTON  
 \_\_\_\_\_ SECTION 14  
 \_\_\_\_\_ T 4 N R 9 E

TYPE MONUMENT PK/WASHER  
 ON SURFACE - ~~BELOW~~ ON \_\_\_\_\_  
~~LEFT~~ - Q PAV'T - RIGHT 2.6'  
6.4' TO RT EDGE PAVEMENT  
 S.L.M. 505+18.83



Grid: Northing: 600040.7701 Easting: 1615217.5250

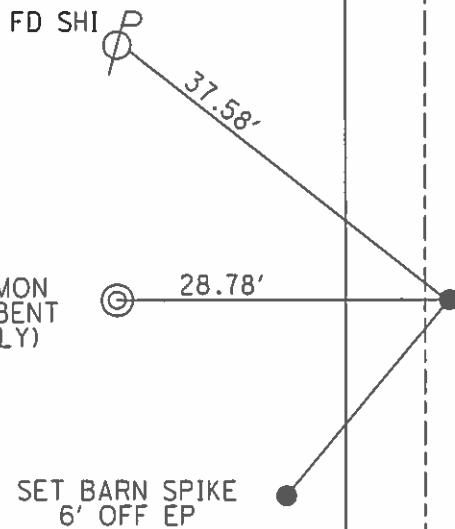
RECORD:  
 SET SM RR SPK  
 6-27-86, MDB

SET MAG/WASHER  
 10-10-03, DCH

FD MAG  
 GPS, REF25  
 10-23-14

GPS, REF21  
 8-26-15

FD R/W MON  
 MEAS. @ BENT  
 (WESTERLY)



RES#10425

Q SR 235

O.D.O.T. DISTRICT 2 SURVEY OFFICE

PERSONNEL

REFERENCE NO. 21

SHEET 21 OF 23

NOTES Homan

DATE 9-25-03

ROUTE 235

H.C. Nuhfer

WEATHER Sunny

COUNTY WOOD

R.C. Ballmer

TEMP. 60°

TOWNSHIP MILTON

SECTION 14

T 4 N R 9 E

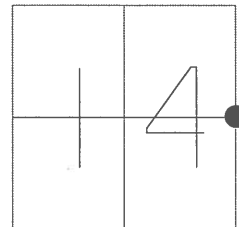
TYPE MONUMENT PK & Washer

ON SURFACE - BELOW on surface

~~LEFT~~ - Q PAV'T - RIGHT 2.6'

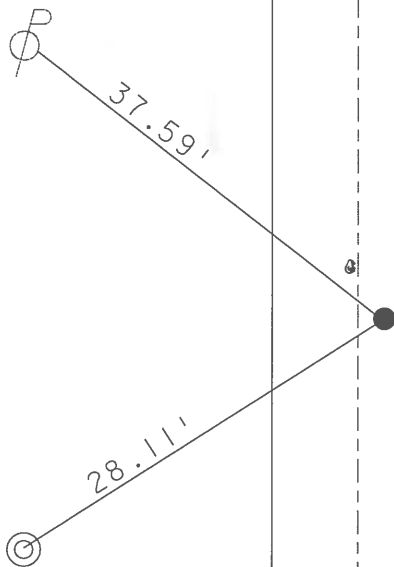
6.4 TO RT EDGE PAVEMENT

S.L.M. 504+28



Set Sm RR Spk  
6-27-86  
MDB

Set Mag & Washer  
10-10-03  
DCH



Field Line

S.R. 235

# O.D.O.T. DISTRICT 2 SURVEY OFFICE

PERSONNEL \_\_\_\_\_

REFERENCE NO. 21

SHEET 20 OF 28

NOTES Van Dusen

H.C. Moser

R.C. Stiffler

DATE 07-30-96

WEATHER Cloudy

TEMP. +70°F

ROUTE 235

COUNTY Wood

TOWNSHIP Milton

SECTION 14

T 4 N R 9 E

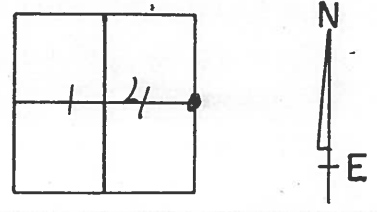
TYPE MONUMENT Sm RR Spk

ON SURFACE ~~BELOW~~ on surface

~~LEFT~~ PAV'T. - RIGHT 2.6'

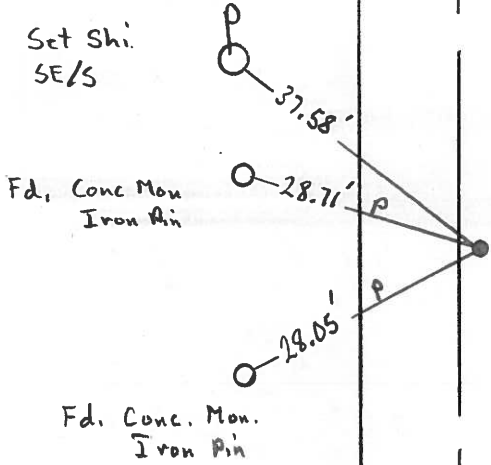
6.4 TO Rt EDGE PAVEMENT

S.L.M. 504 + 28



Set. Sm. RR Spk  
6-27-86  
M D B

Set PK/Washer  
10-07-96  
BUB



E Point  
SR 235

O.D.O.T. DISTRICT 2 SURVEY OFFICE

PERSONNEL \_\_\_\_\_

REFERENCE NO. 21

SHEET \_\_\_\_\_ OF \_\_\_\_\_

NOTES BARNHISSEL

H.C. Loehrke

R.C. HOFFMAN

DATE 6-9-86

WEATHER SUNNY

TEMP. +65°

ROUTE 235

COUNTY WOOD

TOWNSHIP MILTON

SECTION 14

T4 NR 9 E

TYPE MONUMENT Sm RR Spk

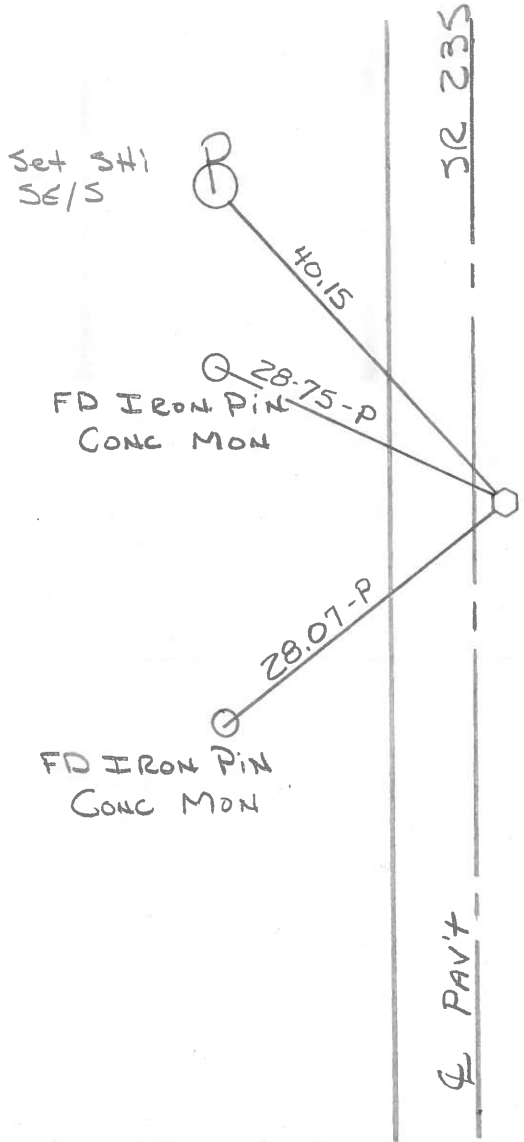
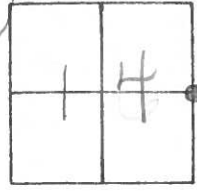
ON SURFACE - ~~BELOW~~ yes

LEFT- & PAV'T. - RIGHT 2.3

7.0 TO Rt EDGE PAVEMENT

S.L.M. 504+35

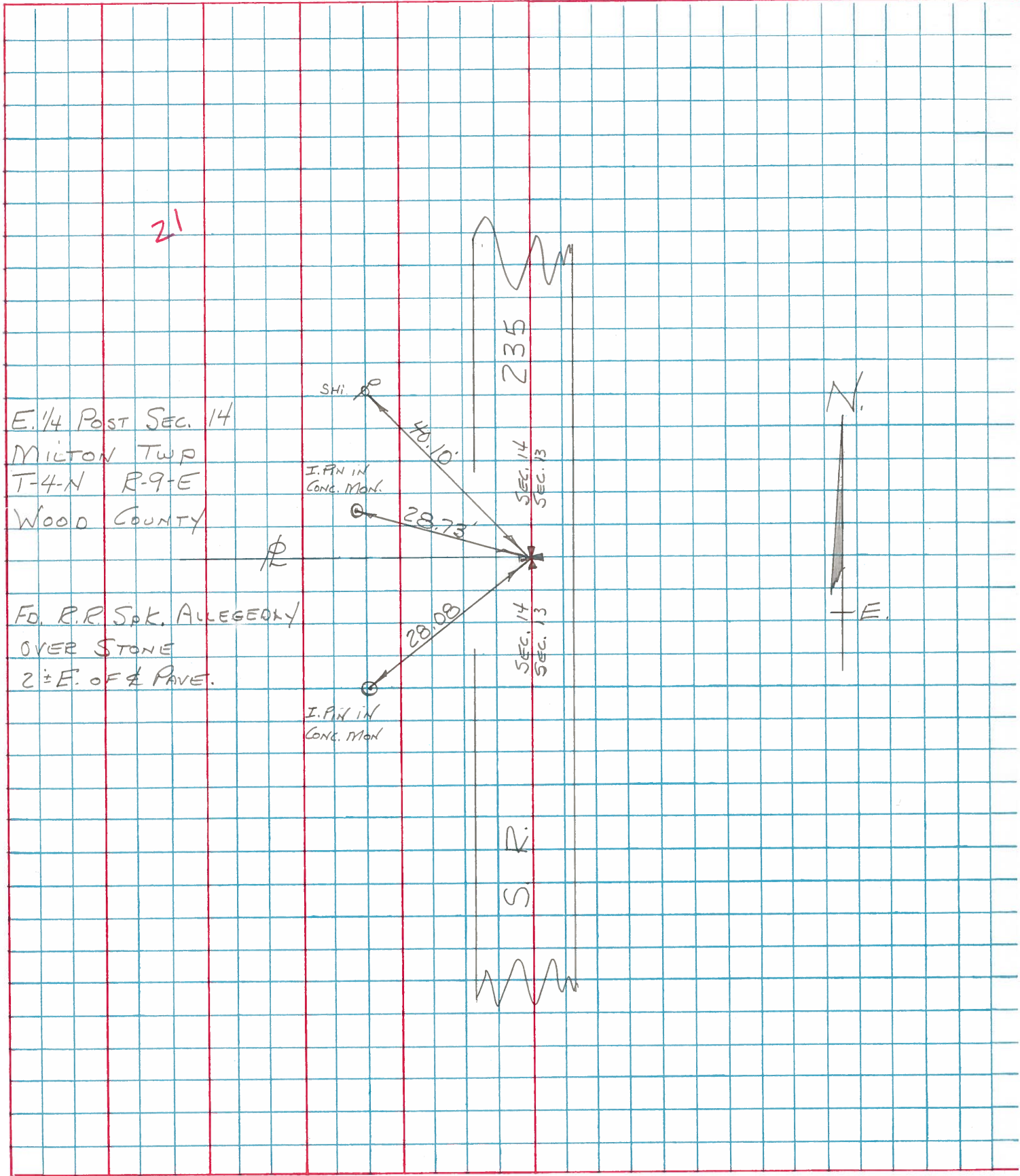
Set Sm RR Spk  
6-27-86  
MOS



PERSONNEL TITLE PERSONNEL TITLE  
 BURNSIDE \_\_\_\_\_  
 SMITH \_\_\_\_\_  
 MEAD \_\_\_\_\_

COUNTY WOOD DATE 5-7-76  
 S. R. 235 WEATHER Pt. Cloudy  
 SEC. E 1/4 Post SEC. 14 TEMP. +52°

DESCRIPTION REF. TO SECTION CORNER  
 LEFT CENTER LINE RIGHT JOB NO.



RE-COPIED  
7-29-71

PERSONNEL	TITLE	PERSONNEL	TITLE
COUNTY <u>WOOD</u> DATE _____			
S. R. <u>235 (OLD S.R. 69)</u> WEATHER _____			
SEC. _____ TEMP. _____			

DESCRIPTION	LEFT	CENTER LINE	RIGHT	JOB NO.
	#76			
	<b>#19</b>			
N.W. 1/4 SEC. 24. STONE 10.9' E OF EDGE PAVE. & W. BANK D.H.			SHINER IN END POST OF FENCE 37.13' IRON PIPE W. 30.30' T.P. N. of W. 69.35'	
	#76-A			
	<b>#20</b>			
N.W. COR SEC. 24 MILTON Twp. MERMILL ROAD			SHINER IN 24' MAPLE N.W. 57.00' SHINER IN T. POLE S.W. 51.25' SHINER IN T. POLE N.E. 35.80' X' IN S.W. COR. S. ABUT. SE. <sup>(COR)</sup> 15.93'	
	#77			
	#78			
	#79			
	<b>#21</b>			
E. 1/4 Post SEC. 14 MILTON Twp. STONE 8' BELOW SURFACE & 6' W. & E. EDGE PAVE.			IRON ROD W. 30.25' SHINER IN T. POLE N.N.E. 40.09' SHINER IN T. POLE S.E. 35.66'	
	#80			
	<b>#22</b>			
N.E. COR. SEC. 14 MILTON Twp. STONE 0.6' DEEP R.R. SPK. MAPLEWOOD ROAD			N. COR. N.W. Wing of W. ABUT. S of W. 13.90' N. COR. N.W. Wing of E. ABUT. S of E. 14.13' SHINER IN P. POLE S.W. 35.03' SHINER IN T. POLE S.E. 34.17' SHINER IN T. POLE E. 61.34'	
	#81			



PERSONNEL	TITLE	PERSONNEL	TITLE

COUNTY Wood DATE 02-12-13-57  
 S. R. #69 WEATHER 4-15-60  
 SEC. \_\_\_\_\_ TEMP. \_\_\_\_\_

DESCRIPTION \_\_\_\_\_ LEFT \_\_\_\_\_ CENTER LINE \_\_\_\_\_ RIGHT \_\_\_\_\_ JOB NO. \_\_\_\_\_

#76  
 N.W. 1/4 Sec. 24 Stone 10.9'E  
 of edge part of W. bank dch.  
 ✓ Shiner in End Post of fence 37.13  
 ✓ Iron pipe W. 30.30  
 ✓ T.P. N.W. 69.35' 67.66

#76-A  
 N.W. Cor. Sec. 24 Milton  
 Twp. Merrill Ed.  
 R.R. Spk. ✓  
 #77 20  
 ✓ Shiner in 24" maple thw. 57.0  
 ✓ Shiner in T.P. S.W. 51.25  
 ✓ Shiner in T.P. N.E. 35.70 35.7  
 ✓ X-in S.W. cor of old S. about S.E. 15.9

#78  
 #79

E 1/4 part Sec. 14 Milton  
 Twp. Stone 8" below surface  
 of part. 6' W. of E. Edge part.  
 of pavement. R.R. Spk. ✓  
 #80 21  
 ✓ Shiner in T. Pole N.N.E. 113.95  
 ✓ Shiner in P.P. N.W. 40.57 40.57  
~~Shiner in S. part of~~ 27.93 27.45  
~~stone on E. bank of dch~~ 5.60 5.60  
 ✓ Shiner in T.P. S.E. 35.66' 35.72  
 67

N.E. cor. Sec. 14 Milton Twp.  
 Stone 0.6 deep R.R. Spk.  
 Major road Ed. ✓  
 #81 22  
 ✓ No. cor. N.W. wing of W. about Spk. W. 13.95  
 ✓ No. cor. N.W. wing of E. about S. E. 14.16 14.16  
~~Shiner in E. thw.~~ Gone 4.00  
 ✓ Shiner in P.P. S.W. 35.06' 33.44  
 ✓ Shiner in T.P. S.E. Plumb 34.17 34.17  
 ✓ Shiner in T. Pole East 61.34

PERSONNEL	TITLE	PERSONNEL	TITLE

COUNTY Wood DATE Oct 12-1957  
 S. R. #69 WEATHER 1-5-57  
 SEC. \_\_\_\_\_ TEMP. \_\_\_\_\_

DESCRIPTION \_\_\_\_\_ LEFT \_\_\_\_\_ CENTER LINE \_\_\_\_\_ RIGHT \_\_\_\_\_ JOB NO. \_\_\_\_\_

#76  
 N.W. 1/4 Sec. 24 Stone 10.9'E  
 of edge part of W. bank of ch. ✓  
 ✓ Shiner in End Post of fence S 71.3  
 ✓ Iron pipe W. 33.30  
 ✓ T.P. N.W. 69.25' 57.50

#76-1  
 N.W. Cor. Sec. 24 Milton  
 Twp. Merrimill Rd.  
 R.R. Spk. ✓ **20**  
 #77  
 ✓ Shiner in 24" maple tree S 77.0  
 ✓ Shiner in T.P. S.W. 51.25  
 ✓ Shiner in T.P. N.E. 35.50 35.7  
 ✓ X in S.W. cor of old S. abut. S.E. 15.9

#78

#79  
 E 1/4 part sec. 14 Milton 40.09  
 Twp. Stone 8' below surface  
 of part. 6' W. of E. edge part.  
 of pavement. R.R. Spk. ✓  
 Iron Rod No. 30.25  
 ✓ Shiner in T.P. N.W. 113.0  
 ✓ Shiner in P.P. N.W. 47.42 72  
~~Shiner in Cor. part of 1/4 sec. 14 Milton~~  
~~Stone on E. bank of old ch. Stone 35.75~~  
 ✓ Shiner in T.P. S.E. 35.65' 35.72

#80 **21**

N.E. cor. Sec. 14 Milton Twp. 13.90  
 Stone 0.6 deep R.R. Spk. 14.13  
 Maplewood Rd. ✓ **22**  
 ✓ No. cor. N.W. cor of old S. Spk. 13.25  
 ✓ No. cor. N.W. cor of S. abut. Sec. 14 Milton  
 ✓ Shiner in P.P. Stone 35.06 35.24  
 35.63 ✓ Shiner in P.P. S.W. 35.06 35.24  
 34.17 ✓ Shiner in T.P. S.E. 35.06 35.24

#81

61.34 ✓ Shiner in T.P. East 61.34



PERSONNEL	TITLE	PERSONNEL	TITLE

COUNTY Wood DATE OK 12-13-57  
 S. R. #69 WEATHER 4-15-60  
 SEC. \_\_\_\_\_ TEMP \_\_\_\_\_

DESCRIPTION \_\_\_\_\_ LEFT \_\_\_\_\_ CENTER LINE \_\_\_\_\_ RIGHT \_\_\_\_\_ JOB NO. \_\_\_\_\_

DESCRIPTION	LEFT	CENTER LINE	RIGHT	JOB NO.
	<b>#76</b>		✓ Shiner in End Post of fence 37.13 ✓ Iron pipe W. 30.30 ✓ T.P. N. of W. 69.35' 69.50	
N.W. 1/4 sec. 24. Stone 10.9' E. of edge part. & W. bank det. ✓				
	<b>#76-A</b>		✓ Shiner in 24" maple N.W. 57.00 ✓ Shiner in T.P. S.W. 51.25 ✓ Shiner in T.P. N.E. 35.80 35.75 ✓ X in S.W. cor of old S. abut. S.E. 15.93	
N.W. Cor. sec. 24 Milton Twp. Merrill Rd. R.R. Spk. ✓				
	<b>#77</b>	<b>20</b>		
	<b>#78</b>			
	<b>#79</b>		✓ Shiner in T. Pole N.N.E. 113.05 ✓ Shiner in P.P. N.W. 40.07 40.02 <del>Shiner in Cor. post W. 27.93 27.84</del> <del>Stone on E. bank of det. E. gone 25.53</del> ✓ Shiner in T.P. S.E. 35.66' 35.82	
E 1/4 past sec. 14 Milton Twp. Stone 8" below surface of part. 6' W. of E. Edge part. of pavement. R.R. Spk. ✓				
	<b>#80</b>	<b>21</b>		
			✓ No. cor. N. wing of W. abut S of W. 13.95' ✓ No. cor. N. wing of E. abut S of E. 14.16' <del>Shiner in P.P. N.W. Gone 42.55</del> ✓ Shiner in P.P. S.W. 35.06' 32.40' ✓ Shiner in T.P. S.E. Plumb 34.17 34.39 ✓ Shiner in T. Pole East 61.34'	
N.E. cor. Sec. 14 Milton Twp. Stone 0.6' deep R.R. Spk. Maplewood Ed. ✓				
	<b>#81</b>	<b>22</b>		