

O.D.O.T. DISTRICT 2 SURVEY OFFICE (USE ONLY)

PERSONNEL _____ REFERENCE NO. 33 SHEET 5 OF 16

NOTES RHOADES DATE 8/26/15 ROUTE SR 235

H.C. O'DONNELL WEATHER CLOUDY COUNTY WOOD

R.C. RHOADES TEMP. 60° TOWNSHIP WASHINGTON

DWG BY RHOADES PID PVTRAIN SECTION 14

T 6 N R 9 E

TYPE MONUMENT P.K.NAIL

~~ON SURFACE~~ - BELOW 3.5'

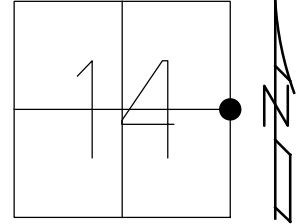
OFFSET \odot PAVEMENT 2.6' ~~LT~~ : RT

6' TO RT EDGE PAVEMENT

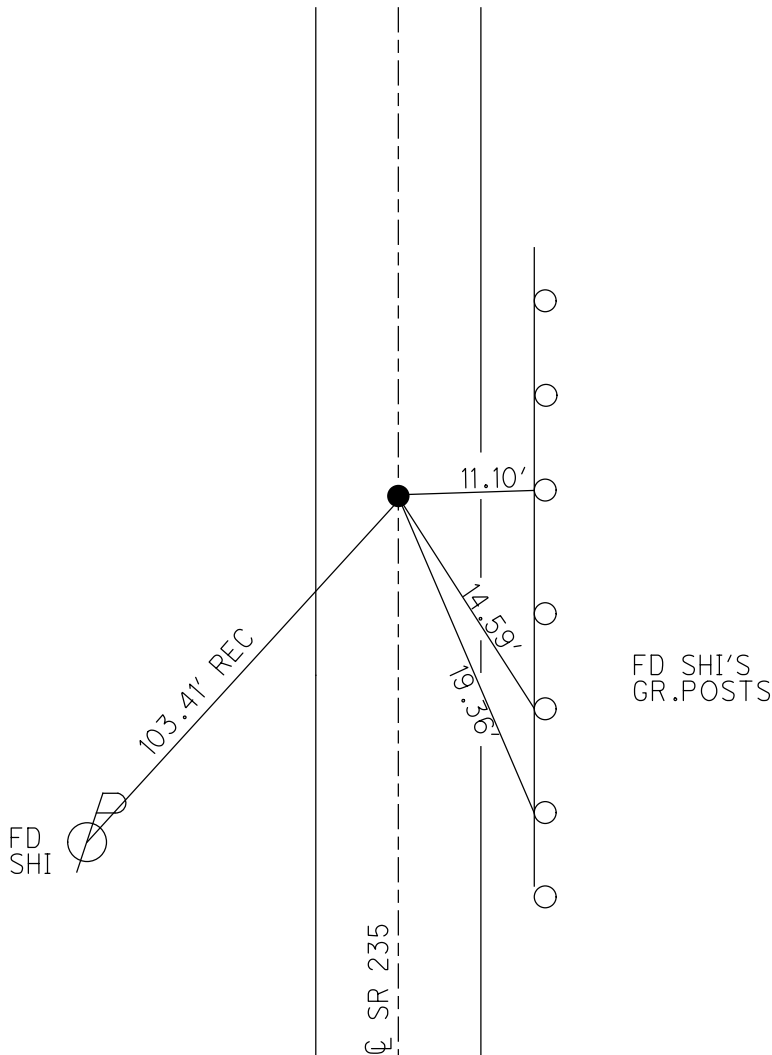
STATION: 823+94.78

HORZ.DATUM: NAD83 2011 GEOID: NAVD88 2012A

GRID: NORTHING: 631914.853 EASTING: 1615545.305



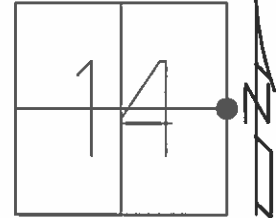
RECORD:
 FD P.K./WASHER
 8-27-92, CL
 4-14-00
 FD P.K.NAIL
 REF39
 10-24-14
 FD P.K.NAIL
 3.5" DOWN
 REF39
 8-25-15, JFO
 SET MAG/WASHER
 NEWREF33
 7-18-16, JLL
 FD MAG/WASHER
 REF33
 7/8/22, DSA



O.D.O.T. DISTRICT 2 SURVEY OFFICE (USE ONLY)

PERSONNEL _____ REFERENCE NO. 33 SHEET 5 OF 16
 NOTES RHOADES DATE 8-26-15 ROUTE SR 235
 H.C. O'DONNELL WEATHER CLOUDY COUNTY WOOD
 R.C. RHOADES TEMP. 60°F TOWNSHIP WASHINGTON
 _____ SECTION 14
 _____ T 6 N R 9 E

TYPE MONUMENT PK NAIL
~~ON SURFACE~~ - BELOW 3.5"
~~LEFT~~ - CL PAV'T - RIGHT 2.6'
6.0' TO RT EDGE PAVEMENT
 S.L.M. 823+94.78



Grid: Northing: 631914.8489 Easting: 1615545.2911

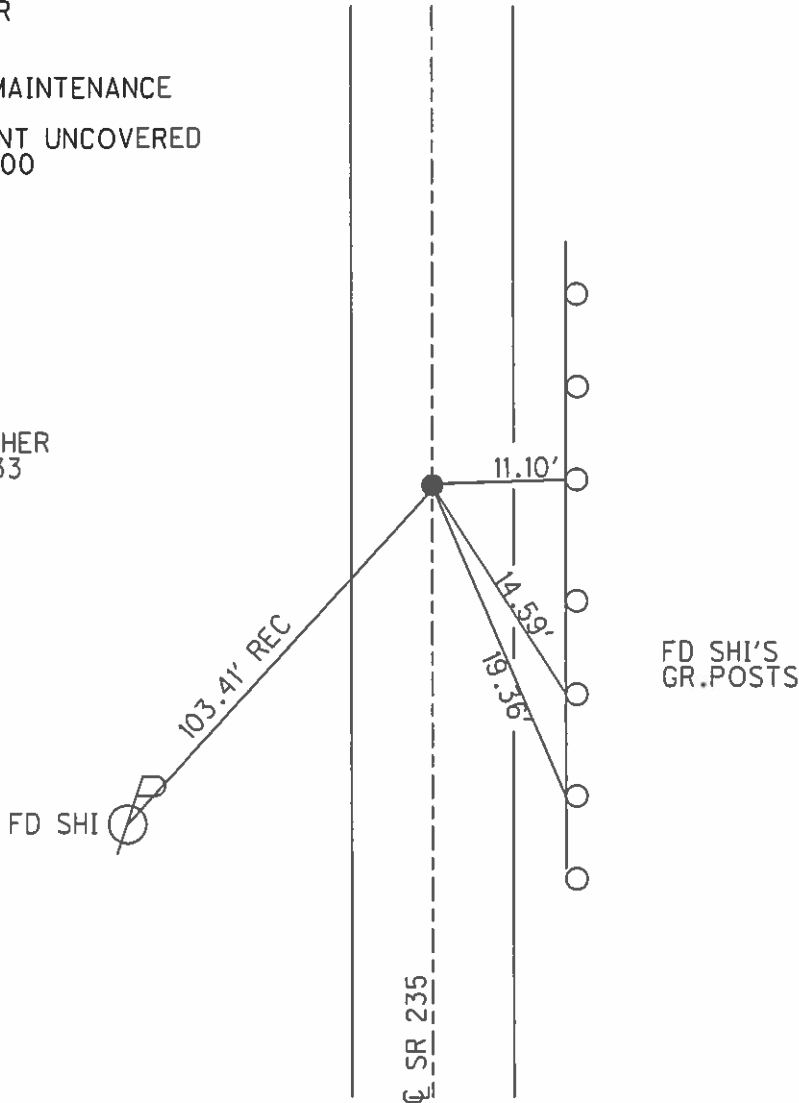
RECORD:
 FD PK/WASHER
 8-27-92, CL

PREVENTIVE MAINTENANCE
 CHIP&SEAL
 EXISTING POINT UNCOVERED
 DATE 4-14-2000

FD PK NAIL
 GPS, REF39
 10-24-14

FD PK NAIL
 3.5" BELOW
 GPS, REF39
 8-25-15, JFO

SET MAG/WASHER
 GPS, NEWREF33
 7-18-16, JLL



O.D.O.T. DISTRICT 2 SURVEY OFFICE

PERSONNEL

REFERENCE NO. 33

SHEET 4 OF 12

NOTES LOEHRKE

H.C. CURTIS

DATE 6-24-92

ROUTE 235

R.C. ROMERO

WEATHER CLOUDY

COUNTY WOOD

FALKOWSKI

TEMP. +60

TOWNSHIP WASHINGTON

SECTION 14

T. 5 N. R. 9 E.

TYPE MONUMENT P.K. / WASHER

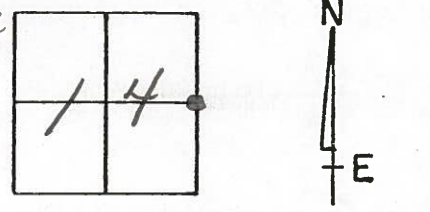
Set P.K./WASHER
8-27-92

ON SURFACE - ~~BELOW~~ Yes

LEFT - & PAV'T. - RIGHT 2.6

60 TO Rt EDGE PAVEMENT

S.L.M. 825 + 05

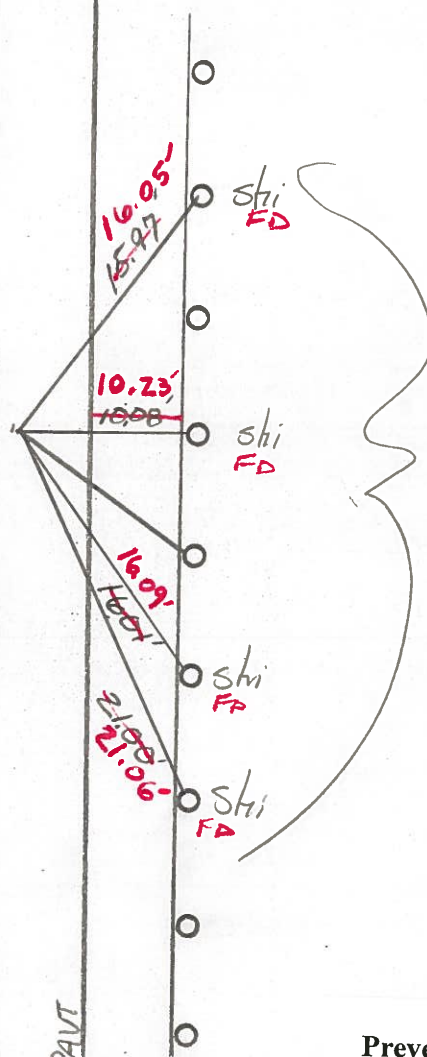


SR 235

Edge. PAVT

& PAVT

E. PAVT



SET shi's
WESTERLY
SIDE OF
GUARD RAIL
POST

Preventive Maintenance
Chip & Seal 2000
Existing Point Uncovered
Date 4-14-2000

O.D.O.T. DISTRICT 2 SURVEY OFFICE

PERSONNEL _____

REFERENCE NO. 33

SHEET _____ OF _____

NOTES Baehnel

H.C. Loehrke

DATE March 18, 1985

ROUTE 235

R.C. Hoffman

WEATHER clear

COUNTY WOOD

TEMP. +350

TOWNSHIP Washington

SECTION E 1/4 Post Sec 14

T 5 R 9

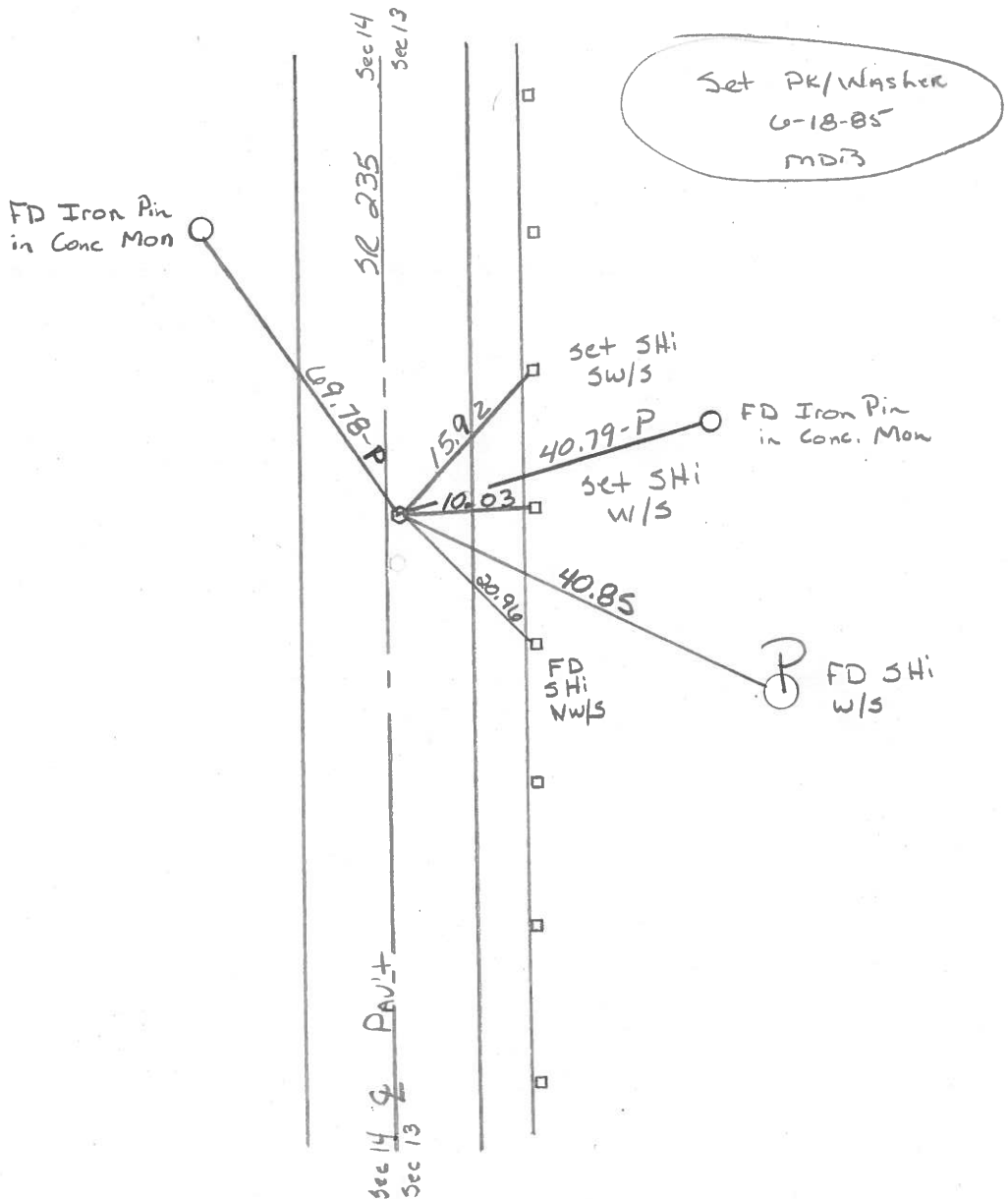
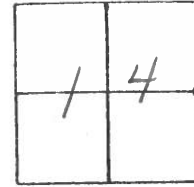
TYPE MONUMENT 3m RR/3pk

ON SURFACE - ~~BELOW~~ ✓

~~OFF~~ - ✓ PAV'T. - RIGHT 2.0

4.5 TO RT EDGE PAVEMENT

S.L.M. 824+03



County Wood S.R. 235

Date 5-15-1979

Township Washington

Weather Cloudy

Section E 1/4 Post Sec. 14

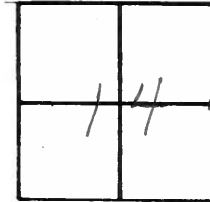
Temp. 64°

T5N, R9E

Personnel Smith

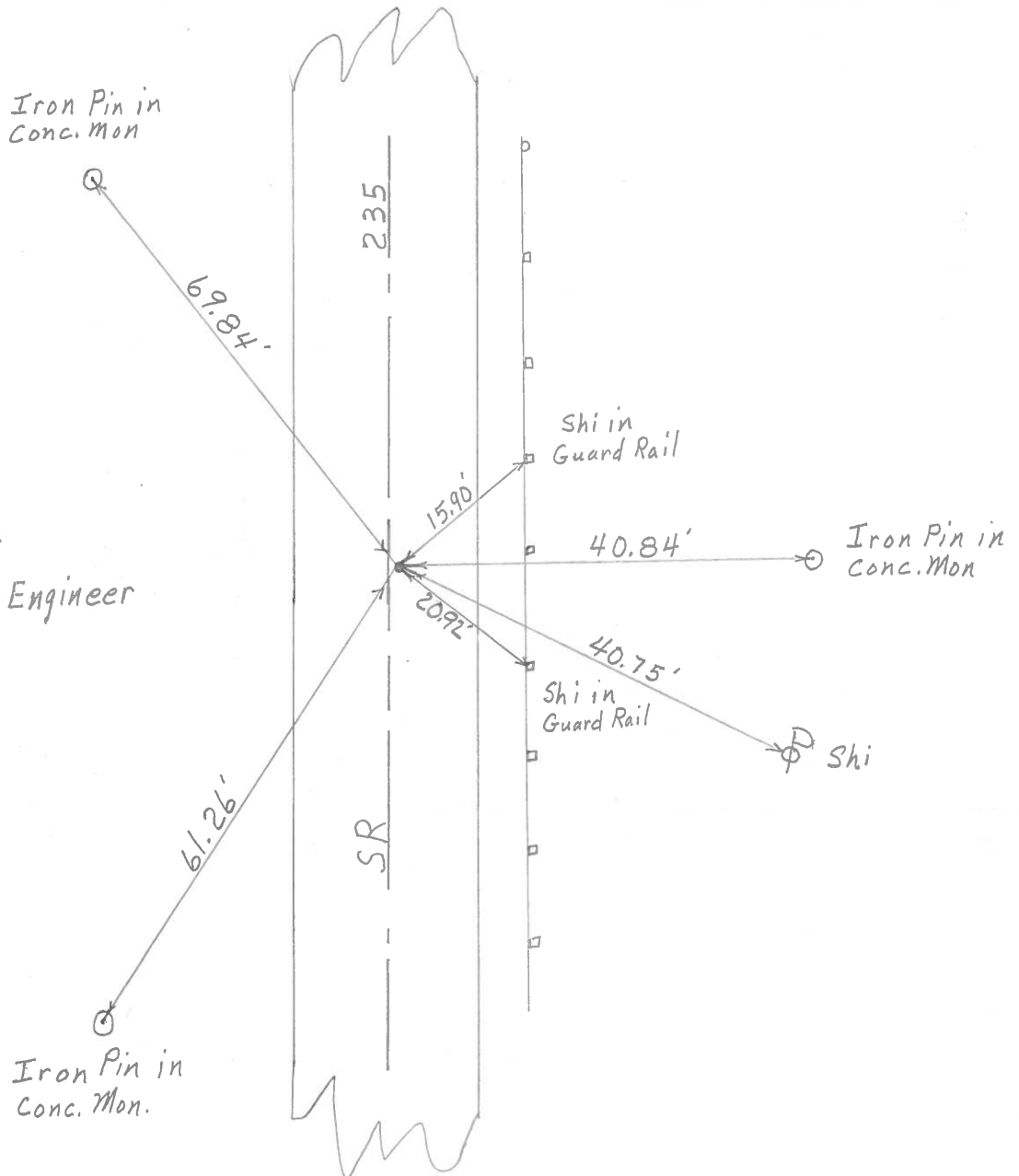
Knape

Mead



33

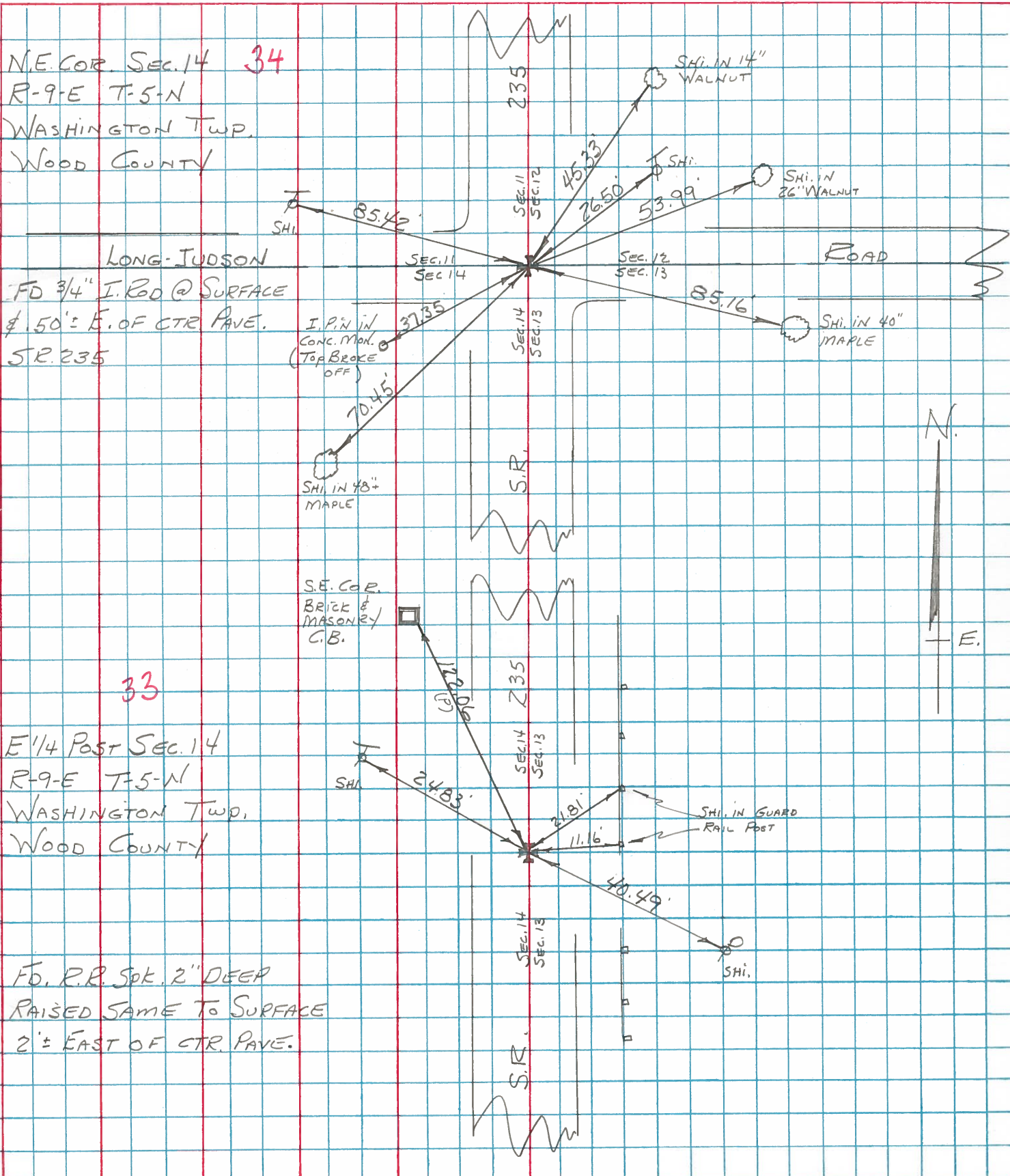
Fd. R.R. Spike
 @ Surface
 2'± E. of Part
 Set by County Engineer



PERSONNEL TITLE PERSONNEL TITLE
BURNSIDE
SMITH
MEAD

COUNTY Wood DATE 5-10-76
S. R. 235 WEATHER CLEAR
SEC. 14 TEMP. +65°

DESCRIPTION REF. TO SECTION CORNER LEFT CENTER LINE RIGHT JOB NO.



33

PERSONNEL	TITLE	PERSONNEL	TITLE

COUNTY Wood DATE OK 12-16-57
OK 1-25-58
 S. R. #69 WEATHER _____
 SEC. _____ TEMP. _____

DESCRIPTION	LEFT	CENTER LINE	RIGHT	JOB NO.
-------------	------	-------------	-------	---------

N.E. Cor. Sec. 23 Weston Twp.
 E.P. Spite P.O. Rd.
 #91 **32**

Conc. marker	N.W.	33.20
Conc. marker	N.E.	28.6
Shiner in 30" maple	E.S.E.	71.32
Shiner in 24" maple	S.W. corner	54.0
Shiner in T.P.	N.W.	37.20
Shiner in P.P.	S.E.	59.95
Shi. in 18" Hickory	W.N.W.	61.35
Shi. in 40" oak	N.W.	91.90

Stone - E 1/4 post Sec. 14
 Washington Twp.
 Set P.P. Spite
 #92 **33**

Shiner in G.P. post	N.E.	21.50
Shiner in G.P. post	E.	10.80
X in N.E. Cor. Hwy.	S.E.	50.5
Shi. T. Pole	W.N.W.	24.77
Shi. P. Pole	E.S.E.	40.50

Stone - N.E. cor. Sec. 14
 Washington Twp.
 Long - Susan Ed.
 Iron pin
 #93 **34**

37.35	Conc. marker	S.W.	37.30
(or skinned)	Conc. marker	corner N.W.	36.50
54.02	Shiner in 18" walnut	N.E.	54.00
79.09	Shiner in 30" maple	S.E.	79.21
85.80	Shiner in 36" maple	E.S.E.	85.85
45.34	Shiner in 12" Walnut	N.N.E.	45.30
OK	Shiner in 48" oak	S.S.W.	70.50

N.E. Cor. Sec. 11 Wash. Twp
 Inter. 52. # 69. # 110
 Ed. P.P. Spite
 Sta. 173 + 06.35
 Δ = 0' - 05' E'
 #94
 #95

Shiner Cable Pole N.E. 36.05
 Shiner in T. Pole S.S.E. 50.50 50.70
 ok. Shiner in P. Pole S.W. 46.10
 N.W. cor. N. Hwy. N.N.E. 90.0
 S.E. Cor. N. Hwy. N.E. 20.40
 N.E. Cor. G. post
 SE. cor. S. post S.W.
 23.70'
 29.15'
 22.40'
 N.E.

PERSONNEL	TITLE	PERSONNEL	TITLE

COUNTY Wood DATE OK 12-16-57
OK 1-25-66
 S. R. #69 WEATHER _____
 SEC. _____ TEMP. _____

DESCRIPTION	LEFT	CENTER LINE	RIGHT	JOB NO.
-------------	------	-------------	-------	---------

N.E. cor. sec. 23 Weston Twp. E.P. Spike ✓			Conc. marker N.W. 33.26 Conc. marker N.E. 28.63 ✓ Shiner in 30" maple E.S.E. 71.38 Shiner in 24" maple S.W. gone 51.0' ✓ Shiner in T.P. N.W. 37.20 ✓ Shiner in P.P. S.E. 39.95 Shi. in 18" Hickory W.N.W. 61.35 Shi. in 40" Oak N.W. 91.40	
	32			
	#91			
Stone - E 1/4 post Sec. 14 Washington Twp. ✓ Set P.P. spike ✓			✓ Shiner in G.R. post N.E. 21.55 Shiner in G.R. post E. 10.69 ✓ X-In N.E. Cor. Hdwl. S.E. 50.57 Shi. T. Pole W.N.W. 24.77 Shi. P. Pole E.S.E. 40.56	
	33			
	#92			
Stone - N.E. cor. Sec. 14 Washington Twp. (brokendown) Long Judson Rd. Iron pin			✓ Conc. marker S.W. 37.37 Conc. marker N.W. 36.58 ✓ Shiner in 18" walnut N.E. 54.08 ✓ Shiner in 36" Maple S.E. 79.21 ✓ Shiner in 36" maple E.S.E. 85.85 Shiner in 12" Walnut N.N.E. 45.38' Shiner in 48" Oak S.S.W. 70.52'	
	34			
	#93			
	#94			
N.E. Cor. Sec #11 Wash. Twp Inter. S.P. #69 & 110 Fd. P.P. spike ✓ Sta. 173+06.35 Δ = 00-05' R			Shiner in T. Pole S.S.E. 50.95 Shiner in P. Pole S.W. 46.12' ✓ N.W. cor. N. Hdwl. N.N.E. ✓ S.E. Cor. N. Hdwl. N.E. And cor. S. abut. S.W. S.E. cor. S. abut. S.W.	
	36			
	#95			

