

O.D.O.T. DISTRICT 2 SURVEY OFFICE (USE ONLY)

PERSONNEL

REFERENCE NO. 5 A

SHEET 6 OF 15

NOTES HOMAN

DATE 7/2/12

ROUTE SR 281

H.C. LEU

WEATHER SUNNY

COUNTY WOOD

R.C. MEYER

TEMP. 75°

TOWNSHIP MILTON

DWG BY RHOADES

PID CHIP SEAL

SECTION 20

T 4 N R 9 E

TYPE MONUMENT SM.R.R.SPIKE

ON SURFACE - ~~BELOW~~ ON

OFFSET CL PAVEMENT 3.8' LT : ~~RT~~

5.7' TO LT EDGE PAVEMENT

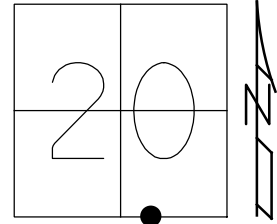
STATION: 93+38

HORZ.DATUM: NAD83 2011

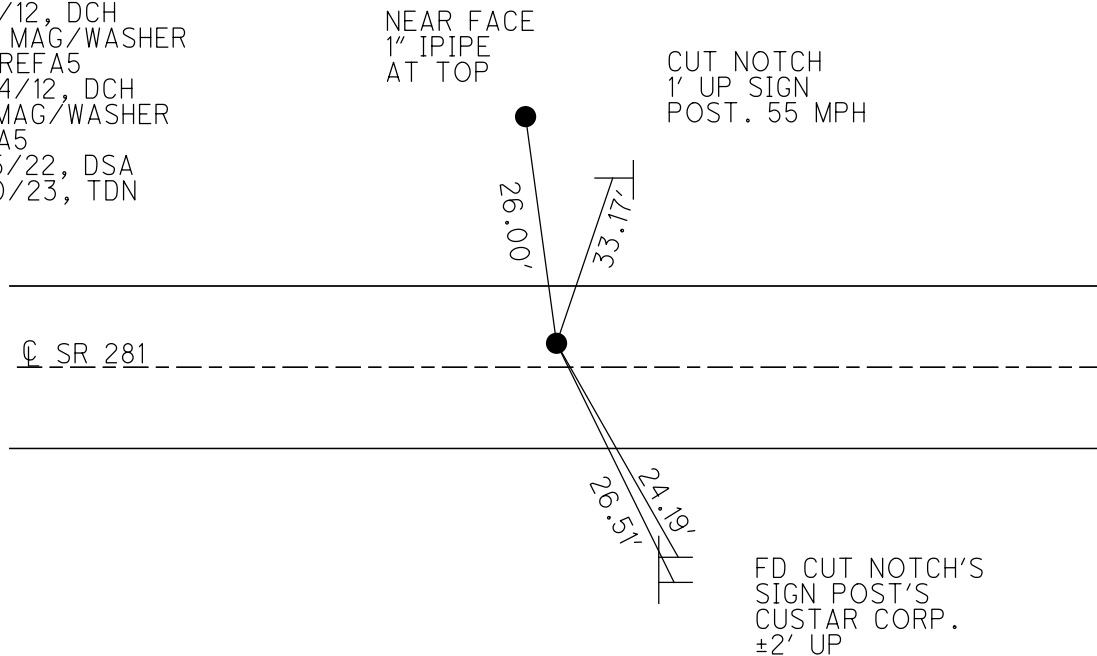
GEOID: NAVD88 2018

GRID: NORTHING: 592315.128

EASTING: 1597840.761



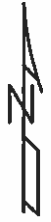
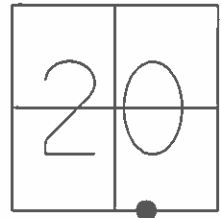
RECORD:  
 STA. 93+33.6  
 FD SM.R.R.SPIKE  
 5/22/90, CL  
 SET SM.R.R.SPIKE  
 7/2/90, MB  
 FD SM.R.R.SPIKE  
 7/2/12, DCH  
 SET MAG/WASHER  
 NEWREFA5  
 9/24/12, DCH  
 FD MAG/WASHER  
 REFA5  
 7/15/22, DSA  
 2/10/23, TDN



O.D.O.T. DISTRICT 2 SURVEY OFFICE (USE ONLY)

PERSONNEL \_\_\_\_\_ REFERENCE NO. 5 A SHEET 6 OF 15  
 NOTES HOMAN DATE 7/2/12 ROUTE SR 281  
 H.C. ROUSOS WEATHER SUNNY COUNTY WOOD  
 R.C. HOMAN TEMP. 75° TOWNSHIP MILTON  
 SECTION 20  
T 4 N R 9 E

TYPE MONUMENT SM.R.R.SPIKE  
 ON SURFACE - ~~BELOW~~ ON \_\_\_\_\_  
 LEFT - CL PAV'T - ~~RIGHT~~ 3.8'  
5.7' TO LT EDGE PAVEMENT  
 S.L.M. 93+38



GRID: NORTHING: 592315.113 EASTING: 1597840.678

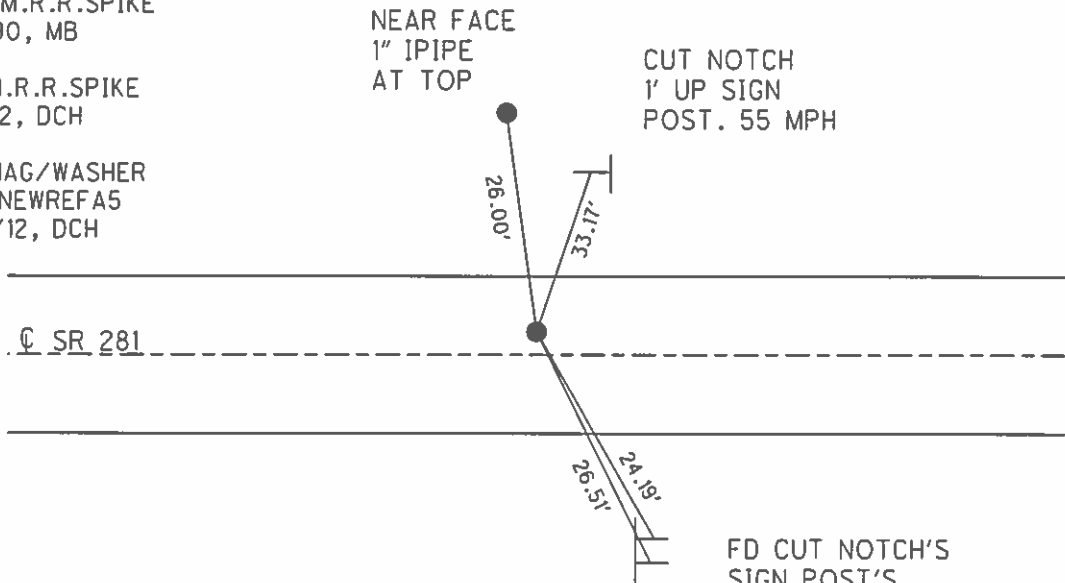
RECORD:  
 STA. 93+33.6

FD SM.R.R.SPIKE  
 5/22/90, CL

SET SM.R.R.SPIKE  
 7/2/90, MB

FD SM.R.R.SPIKE  
 7/2/12, DCH

SET MAG/WASHER  
 GPS, NEWREFA5  
 9/24/12, DCH



FD CUT NOTCH'S  
 SIGN POST'S  
 CUSTAR CORP.  
 ±2' UP

**O.D.O.T. DISTRICT 2 SURVEY OFFICE**

PERSONNEL

REFERENCE NO. 5 A

SHEET      OF     

NOTES BARWHESEL

H.C. Locheke

DATE 5-22-90

ROUTE 281

R.C. HOFFMAN

WEATHER WINDY

COUNTY WOOD

TEMP. +62°

TOWNSHIP milton

SECTION 20

T 4 N R 9 E

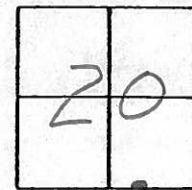
TYPE MONUMENT Sm RR Spk

ON SURFACE - ~~BELOW~~ yes

LEFT - ~~C~~ PAV'T. - ~~RIGHT~~ 38

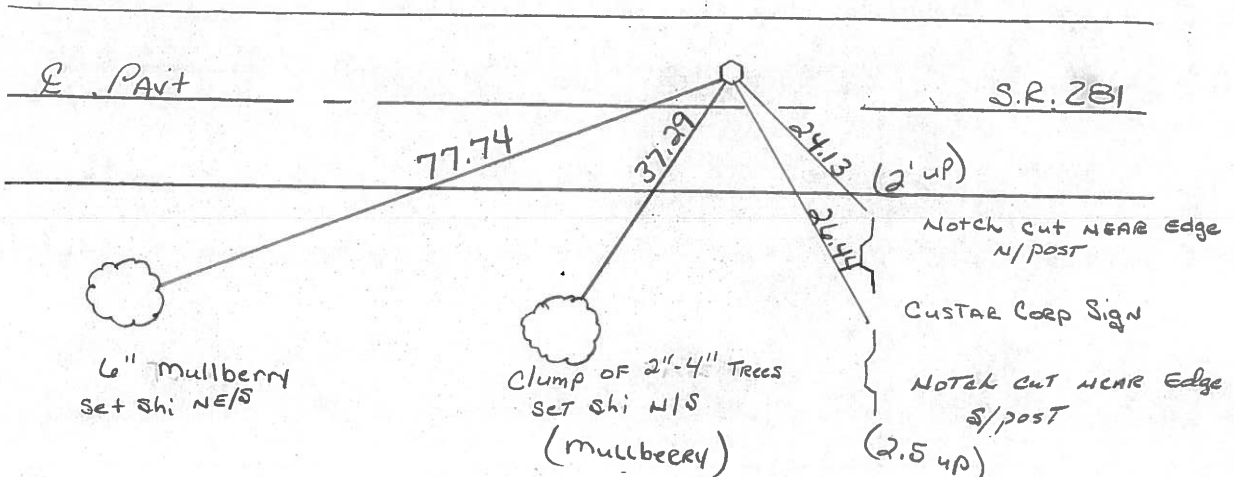
5.7 TO LT EDGE PAVEMENT

S.L.M. 93+38



Record:  
STA: 93+33.6  
No ✕

Set Sm RR Spk  
7-2-90  
mB





Q.D.O.T. DISTRICT 2 SURVEY OFFICE

Sht. \_\_\_ of \_\_\_

County Wood S.R. 281

Date 7-14-81 8-20-81

Township Milton

Weather clear ✓

Section 20

Temp. +68° 80°

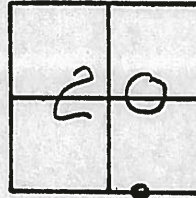
T4N, R9E

Personnel Hoffman

#5-A

Householder

Loehrke



Fd. R.R. SPK 1" Below Surface

PROJECT STA ± 93+33.6

3.5' N. of & PAUT.

No 7

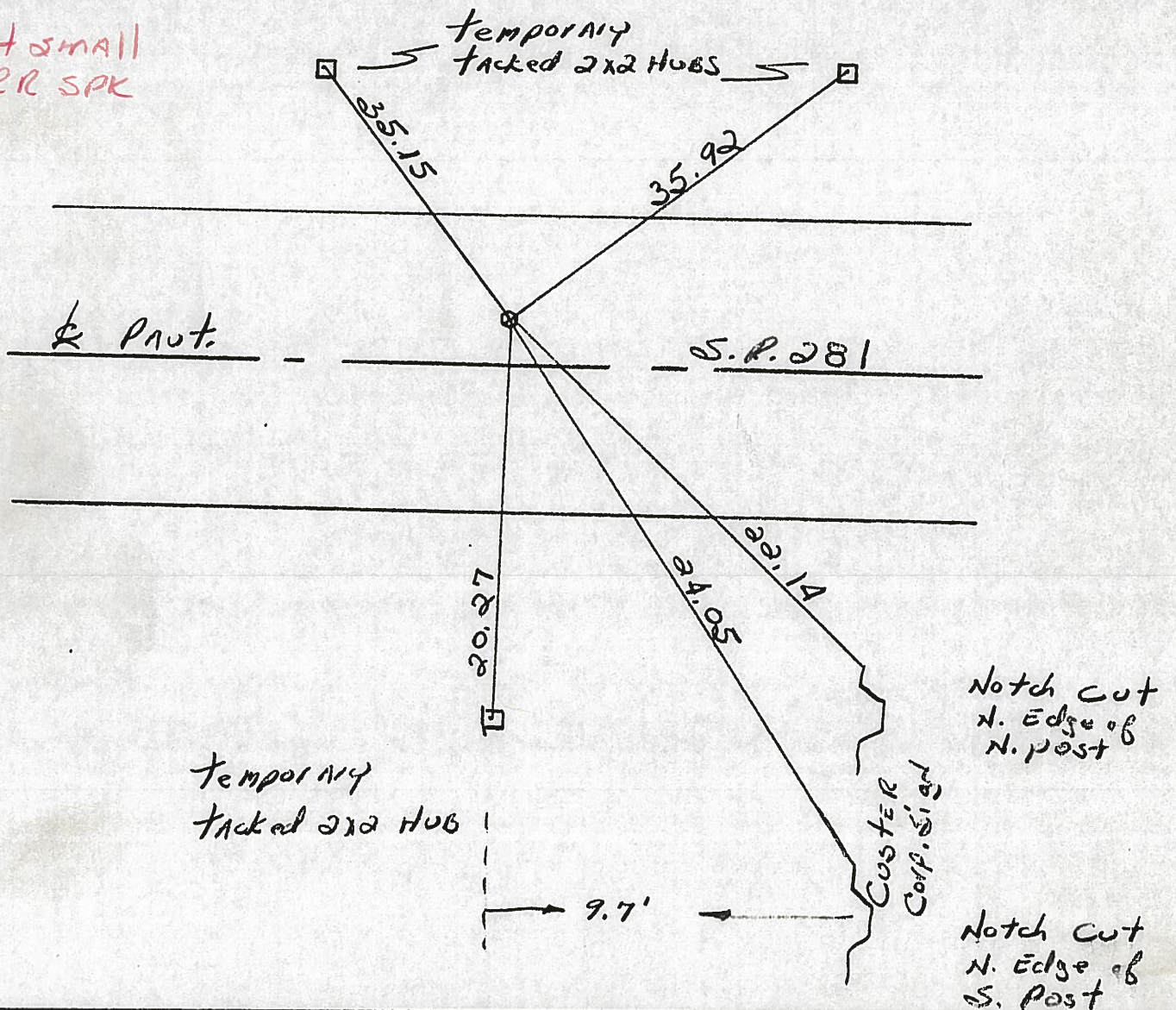
9.1' 2.5' to N. E.P.

West. Corp. Line of Custer

13.0' to S. E.P.

5.6'

Set small RR SPK





ODOT. DISTRICT 2 SURVEY OFFICE

Sht. \_\_\_ of \_\_\_

County Wood S.R. 281

Date 7-14-81 - 8-20-81

Township Milton

Weather clear

Section 20

Temp. +68°

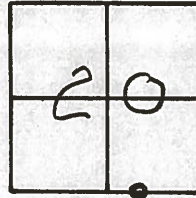
T4N, R9E

Personnel HOFFMAN

Householder

Loehrke

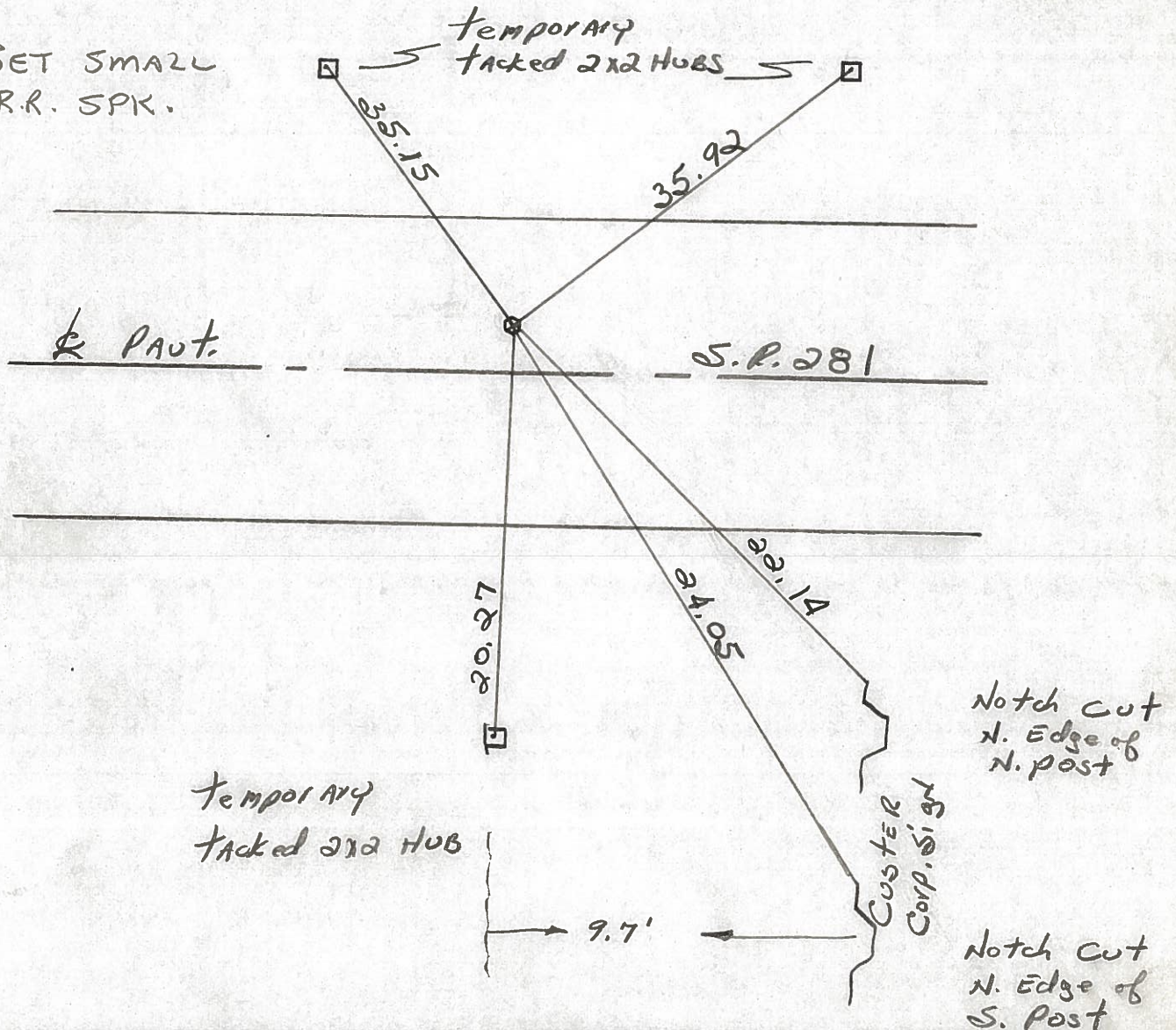
# 5-A



Fd. R.R. SPK 1" Below Surface  
 3.4' N. of & PAUT.  
 7.5' to N. EP.  
 13.0' to S. EP.

PROJECT STA ± 93+33.6  
 No 4  
 West. Corp. line of Custer

SET SMALL  
 R.R. SPK.





PERSONNEL TITLE PERSONNEL TITLE  
 CK. BY COUNTY WOOD DATE OK-11-18-70  
 SILVESTER S. R. # 281 WEATHER  
 BURNSIDE SEC. 20 TEMP.  
 SMITH

DESCRIPTION CONTROL TIES ~ CUSTAR ~ JOB NO.  
 LEFT CENTER LINE RIGHT

<p>STA. 106+83.16          R.R. SPIKE          (INTERSECTION S.R. #281 &amp;          CUSTAR ROAD)          S.E. COR. SEC. 20 #148          MILTON TWP.          T-4-N R-9-E #6</p>	<p>#148</p>								<p>N.W. COR. CONC. SIGN BASE S.E. 48.1          SHINER P. POLE N.E. 51.1          STONE FDN. STORE N.E. 46.2          SHINER P. POLE S.W. 39.3          SHINER P. POLE N.E. 50.6          SHINER 12" WALNUT N.W. 67.7          WELL PUMP CASING 1" ABOVE          CAP. S.W. 40.86</p>
<p>STA. 93+33.6          S.E. 1/8 Post SEC. 20          MILTON TWP.          T-4-N R-9-E          No ANGLE          R.R. SPK.          (WEST CORPORATION)          LINE CUSTAR</p>	<p>#147-A</p>		<p>#5-A</p>						<p>STEEL SIGN POST N. 33.35          NORTH STEEL SIGN POST CORP          SIGN S.E. 22.          3/4" IRON ROD { FLUSH WITH } N.W. 38          3/4" IRON ROD { GROUND } N.E. 38</p>



PERSONNEL TITLE PERSONNEL TITLE

COUNTY Wood

DATE ok 12-3-57

S. R. #281

Swenden 3-22-61  
Krebe 11-3-61

WEATHER 2-28-64

SEC. TEMP.

DESCRIPTION LEFT CENTER LINE RIGHT JOB NO.

Sta. 53+0.36 (old) = 53+0.42 <sup>set</sup> P.K. Nail  
 S.W. Cor. sec. 20 Milton  
 Twp. Stone - Iron rod (Fd)  
 $\Delta = 0^\circ - 30' R.$  (Roundhead Rd.)  
 S. to X on S. culvert about 31.  
 S.E. to shiner in P.P. 62.65' 62.  
 X in N.W. Cor. of S. culvert about 25.26' 25.  
 X in S.W. Cor. of N. culvert about 24.

**4** #146

Sta. 79+87.4  
 5/4 post sec. 20 Milton  
 Twp. Stone - Iron pin (Fd)  
 $\Delta = 0^\circ - 8\frac{1}{2}' R.$  (Wentz Rd.)  
 X on N.W. Cor. W. wall N.E. 35.40' 35.  
 X on S.W. Cor. W. wall S.E. 35.02' 34.  
 N.E. Cor. of house 2' above gnd. S.W. 47.  
 Shiner in tele. Pole N.W. 43.

**5** #147

Sta. 93+33.6 <sup>set</sup> P.K. Nail  
 S.E. 1/8 post sec. 20 W. Corp.  
 line Custer (Fd I. Rod)  
 No Angle  
 Face leaning  
 Steel sign post N. 33.54' 33.  
 Steel sign post S.W. 42.38' 42.  
 N. Steel Sign Post <sup>S.E.</sup> corp. sign 22.

**5-A** #147-A

Sta. 106+83.16 (Fd)  
 R.R. Spike in center of  
 S.R. #281 & Custer Rd.  
 Shiner in P. Pole N.E. 51.  
 Well pump casing <sup>1" above cap.</sup> S.W. 41.03' 40.8  
 N. pt. Gas pump Island S.E. 69.3  
 N.E. to stone Adn. store 46.20' 46.1  
 Shiner P. Pole S.W. 39.49  
 Shiner P. Pole N.E. 50.6  
 Shiner 12" Walnut N.W. 67.82  
 .70

**6** #148