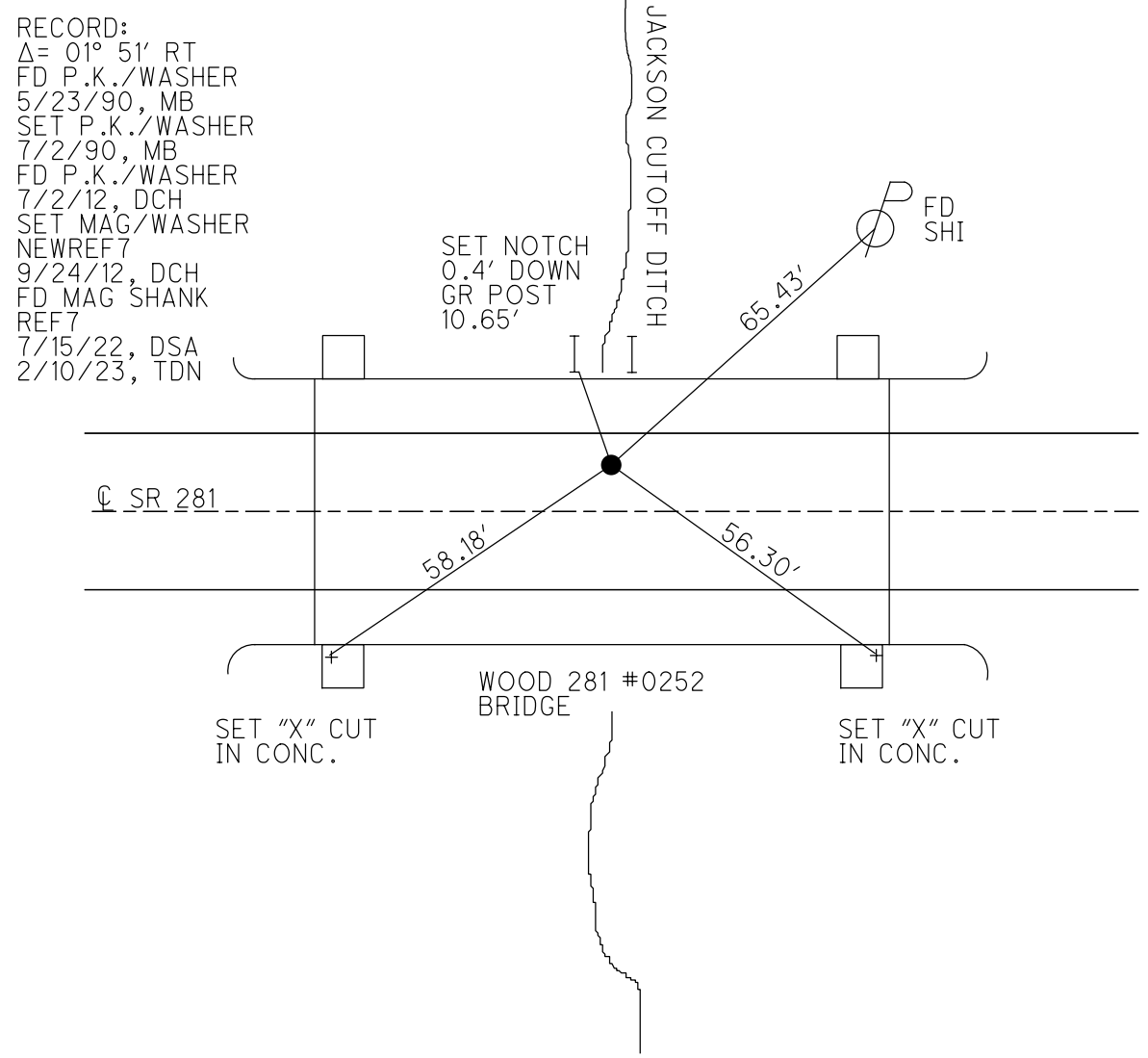
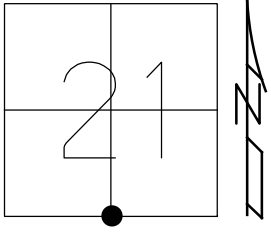


O.D.O.T. DISTRICT 2 SURVEY OFFICE (USE ONLY)

PERSONNEL _____ REFERENCE NO. 7 SHEET 9 OF 15
 NOTES NIESE DATE 2/10/23 ROUTE SR 281
 H.C. AUBLE WEATHER MISTY COUNTY WOOD
 R.C. MILLER TEMP. 39° TOWNSHIP MILTON
 DWG BY RHOADES PID CHIP SEAL SECTION 21
 T 4 N R 9 E

TYPE MONUMENT MAG SHANK
~~ON SURFACE~~ - BELOW 1/2"
 OFFSET \odot PAVEMENT 7.3' LT : ~~RT~~
3' TO LT EDGE PAVEMENT
 STATION: 133+43

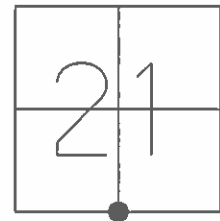
HORZ.DATUM: NAD83 2011 GEOID: NAVD88 2018
 GRID: NORTHING: 592265.677 EASTING: 1601844.883



O.D.O.T. DISTRICT 2 SURVEY OFFICE (USE ONLY)

PERSONNEL _____ REFERENCE NO. 7 SHEET 9 OF 15
 NOTES HOMAN DATE 7/3/12 ROUTE SR 281
 H.C. ROUSOS WEATHER CLOUDY COUNTY WOOD
 R.C. COUTCHER TEMP. 70° TOWNSHIP MILTON
HARBAUGH SECTION 21
 T 4 N R 9 E

TYPE MONUMENT P.K./WASHER
 ON SURFACE - ~~BELOW~~ ON _____
 LEFT - ☉ PAV'T - ~~RIGHT~~ 7.3'
3.0' TO LT EDGE PAVEMENT
 S.L.M. 133+43



GRID: NORTHING: 592265.681 EASTING: 1601844.820

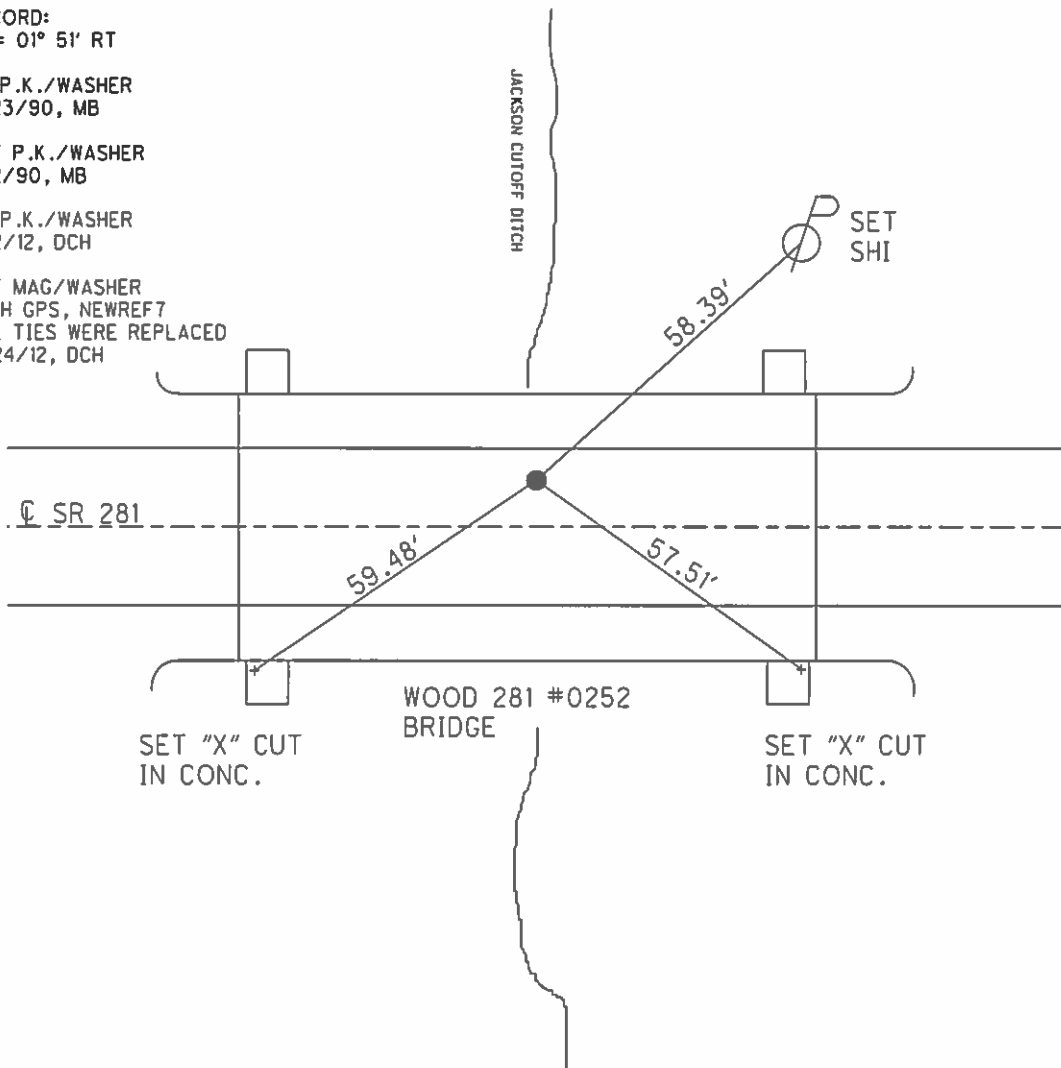
RECORD:
 $\Delta = 01^{\circ} 51' RT$

FD P.K./WASHER
 5/23/90, MB

SET P.K./WASHER
 7/2/90, MB

FD P.K./WASHER
 7/2/12, DCH

SET MAG/WASHER
 WITH GPS, NEWREF7
 ALL TIES WERE REPLACED
 9/24/12, DCH



O.D.O.T. DISTRICT 2 SURVEY OFFICE

PERSONNEL _____

REFERENCE NO. 7

SHEET _____ OF _____

NOTES BARNHISEL

H.C. " "

R.C. HOFFMAN

DATE 5-23-90

WEATHER SUNNY

TEMP. +65°

ROUTE 281

COUNTY Wood

TOWNSHIP Milton

SECTION 21

T4N R9E

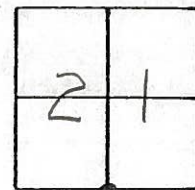
TYPE MONUMENT P.K. & Washer

ON SURFACE - ~~BELOW~~ yes

LEFT-~~C~~ PAV'T. - RIGHT 7.3

3.0 TO LT EDGE PAVEMENT

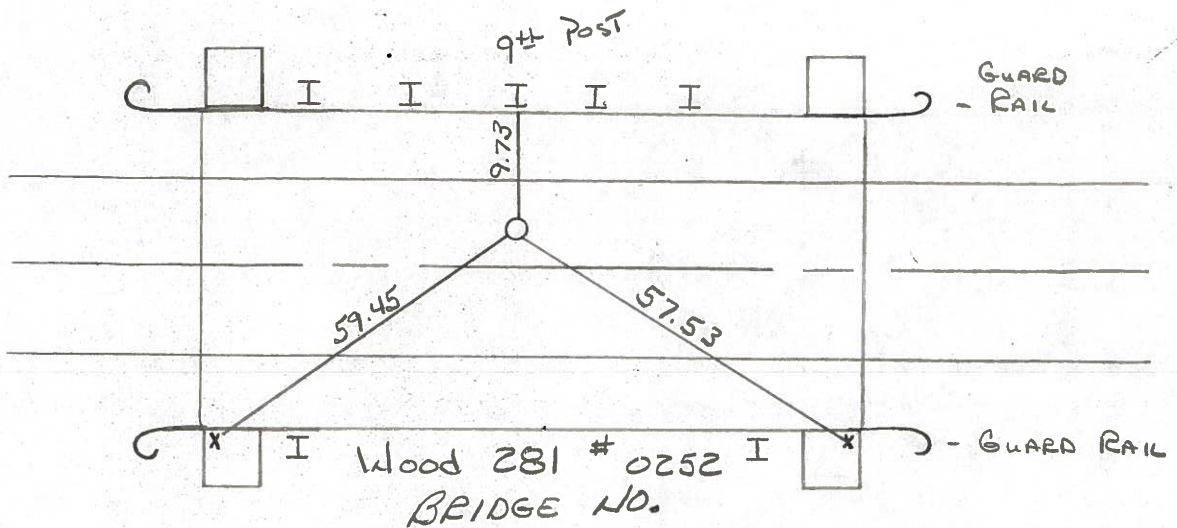
S.L.M. 133+43



Record
 ~~$\Delta = 10^\circ 51' RT$~~
 $\Delta = 1^\circ - 51' RT$

Set P.K. & Washer
 7-2-90
 mB

Cut "x" ON FACE OF I-BEAM POST FOR GUARD RAIL



Fd "x" CUT ON CONC IN BOTH CORNERS
 OF THE BRIDGE SYS

Q.D.O.T. DISTRICT 2 SURVEY OFFICE

Sht. ___ of ___

County Wood S.R. 281

Date 5-20-81 OK-7-27-82 -75°-S.W.H.

Township MILTON

Weather Clear

Section 21

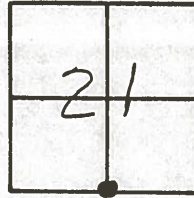
Temp. 60°

T4N, R9E

Personnel S. Hoffmann

C. Loehrke

L. Householder



#7

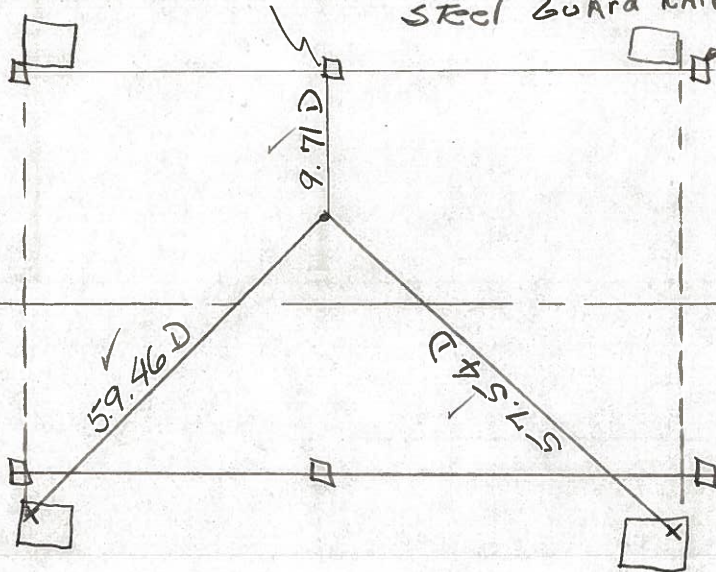
NOTE: POINT SET ON LINE & DOUBLE DIST. BETWEEN POINTS #6 & #6-A

Δ = 10-51' RT.
Fd. SMALL R.R. SPK.
7.4' N. OF & PAUT.

SET P.K. & WASHER
8-12-82
S.W.H.

"+" CUT S. FACE of
STEEL POST - 9th STEEL POST FROM W. END
STEEL GUARD RAIL & POSTS

☒ 281



BRIDGE #.

WOOD 281 0252

PERSONNEL TITLE PERSONNEL TITLE

COUNTY Wood

DATE OK 12-4-5

S. R. #281

Swoeben 3-22-6
Silvester 2-28-6

SEC.

TEMP.

DESCRIPTION

LEFT

CENTER LINE

RIGHT

JOB NO.

Sta. 120+11.4

S.W. 1/4 post sec. 21 Milton

Twp. Stone Iron pin

$\Delta = 0^\circ 16' \text{ Rt.}$

(Fd. small

R.R. spk)

S.W. Cor. school Fdn. N.W.W.

88.4

X on S.E. cor. walk to school

53.1

S.W. cor. 1st step walk bet. Ch. & sch.

88.1

N.W. cor. block fdn. house S.E.

64.1

N.E. cor. stone fdn. house S.W.

71.1

Shiner in T.P. S.

28.1

6-A

#148-A

S. 1/4 post sec. 21 Milton

Twp. Shi. in Δ of bridge

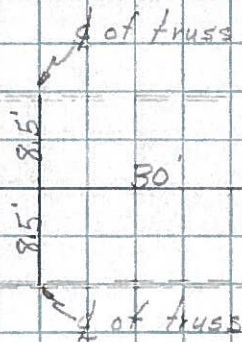
$\Delta = 1^\circ 51' \text{ Rt.}$

(Gone! new bridge) (Beaver creek)

No

End of bridge

30'



End of bridge

7

#149

Sta. 158+62.0

S.W. Cor. sec. 22 Milton (Fd. P.K.)

Twp. Iron pin

$\Delta = 2^\circ - 21\frac{1}{2}' \text{ Rt.}$ (Milton Rd)

Shiner in P.P. N.W. 40.28

40.2

Shiner in br. pole S.W.

39.1

Shiner in T.P. S.E. 40.47'

40.4

Conc. mon. S.W. (leaning) 49.12'

49.2

8

#150

Sta. 185+28.39

S. 1/4 post Sec. 22 Milton (Fd.)

Twp. Set. R.R. spk.

$\Delta = 0^\circ - 18' \text{ Rt.}$ P.I.

N. To Δ on Top steel Sign Post 51K. 150

S. " " " " " " " " 150

S.S.E. "X" Cut in S end 60" Conc. Pipe. 26.1

E.S.E. Shiner in East Guard Rail Post (Plum be

(Shiner Guard Rail Post N. 17.67) 31.1

E.N.E. Shiner in East Guard Rail Post

Shiner Guard Rail Post S.W. 18.22) 32.1

N.N.E. "X" Cut in North end 60" Conc. Pip

plumbed 27.8

S.E. "V" Near Top Retaining Wall (Plum be

9

#151

31.02 Shiner in Guard Rail Post S.E.

32.30 " " " " " " N.E.