

O.D.O.T. DISTRICT 2 SURVEY OFFICE (USE ONLY)

PERSONNEL

REFERENCE NO. 9 AA

SHEET 12 OF 15

NOTES HOMAN
 H.C. ROUSOS
 R.C. COUTCHER
HARBAUGH

DATE 7/3/12
 WEATHER CLOUDY
 TEMP. 75°

ROUTE SR 281
 COUNTY WOOD
 TOWNSHIP MILTON
 SECTION 22
 T 4 N R 9 E

DWG BY RHOADES PID CHIP SEAL

TYPE MONUMENT NAIL

ON SURFACE - ~~BELOW~~ ON

OFFSET 1.9' ~~ET~~ : RT
7.6' TO RT EDGE PAVEMENT

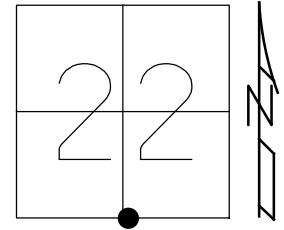
STATION: 186+53.85

HORZ. DATUM: NAD83 2011

GEOID: NAVD88 2018

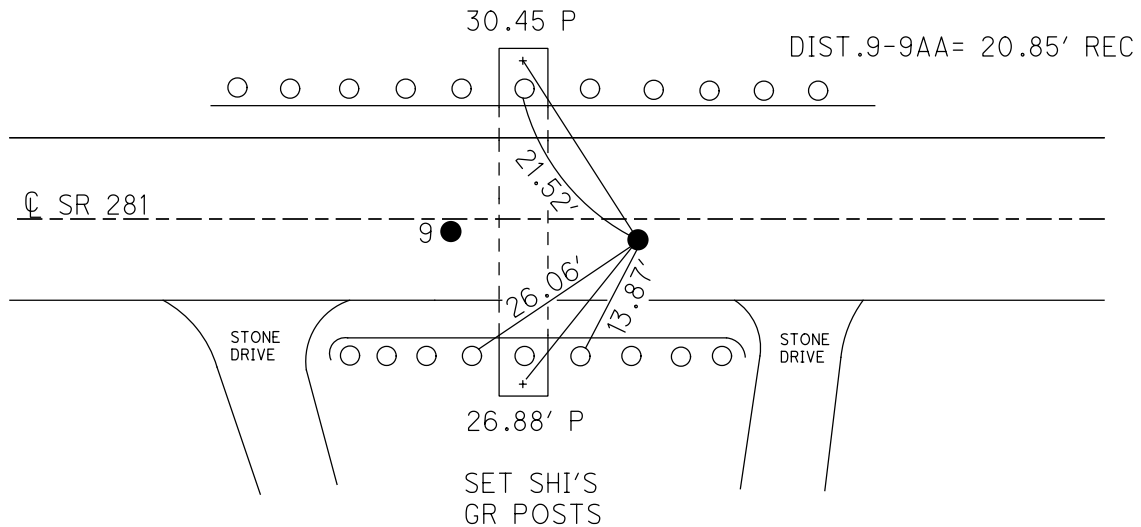
GRID: NORTHING: 592138.660

EASTING: 1607130.411



RECORD:
 FD NAIL
 5/23/90, MB
 SET P.K. NAIL
 6/19/90, MB
 FD NAIL
 7/2/12, DCH
 SET MAG/WASHER
 NEWREF A9
 9/26/12, DCH
 D.N.F.
 7/15/22, DSA

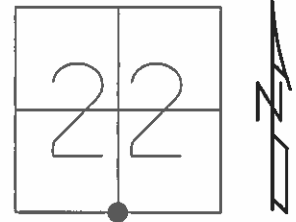
CROSS CUTS ON
 TOP OF 60" RCP



O.D.O.T. DISTRICT 2 SURVEY OFFICE (USE ONLY)

PERSONNEL	REFERENCE NO.	9 AA	SHEET	12 OF 15	
NOTES	HOMAN	DATE	7/2/12	ROUTE	SR 281
H.C.	ROUSOS	WEATHER	SUNNY	COUNTY	WOOD
R.C.	COUCHER	TEMP.	75°	TOWNSHIP	MILTON
	HARBAUGH			SECTION	22
				T 4 N R 9 E	

TYPE MONUMENT NAIL
 ON SURFACE - ~~BELOW~~ ON
~~LEFT~~ - CL PAV'T - RIGHT 1.9'
7.6' TO RT EDGE PAVEMENT
 S.L.M. 186+53.85
 GRID: NORTHING: 592137.083 EASTING: 1607151.199

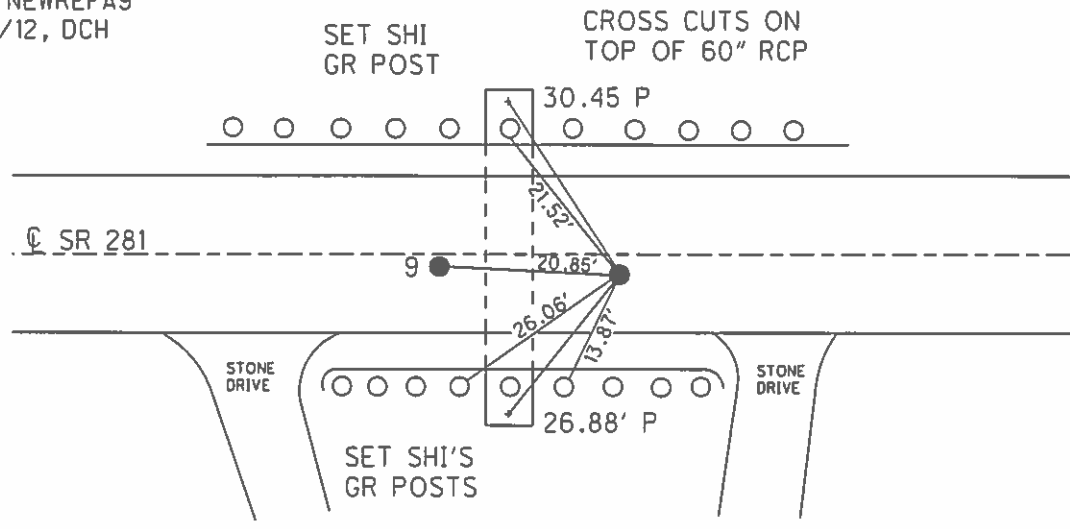


FD NAIL
5/23/90, MB

SET P.K.NAIL
6/19/90, MB

FD NAIL
7/2/12, DCH

SET MAG/WASHER
GPS, NEWREFA9
9/26/12, DCH



O.D.O.T. DISTRICT 2 SURVEY OFFICE

PERSONNEL

REFERENCE NO. 9

SHEET OF

NOTES BARNHISEL

H.C. " "

R.C. HOFFMAN

DATE 5-23-90

WEATHER SUNNY

TEMP. +65°

ROUTE 281

COUNTY Wood

TOWNSHIP Milton

SECTION 22

T 4 N R 9 E

TYPE MONUMENT P.K. & Washer / NAIL

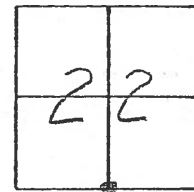
ON SURFACE - BELOW yes / yes

LEFT - C. PAV'T. - RIGHT 0.6 / 1.9

9.0 TO RT EDGE PAVEMENT

7.6
S.L.M. 186+33 To P.K.

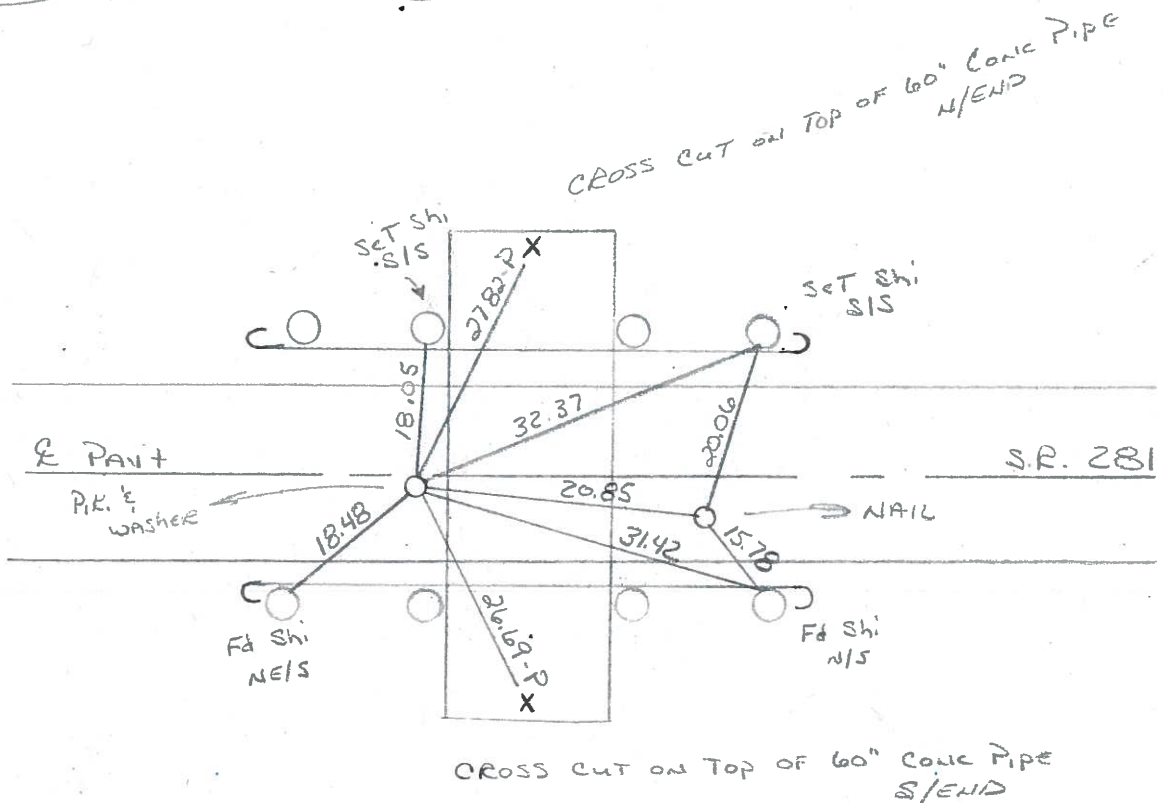
9
9-AA



RECORD
Δ = 0°-18' RT
STA: 185+28.37

SET 2" BB SPK
6-19-90
MB

SET P.K. NAIL
6-19-90
MB



County Wood S.R. 281

Date 5-20-81

Township MILTON

Weather Clear

Section 22

Temp. 60°

T4N, R9E

Personnel S. Hoffman

G. Doehrke

L. Householder



7-21-82
S.W. 4
+73°

#9

SKM 186 + 58

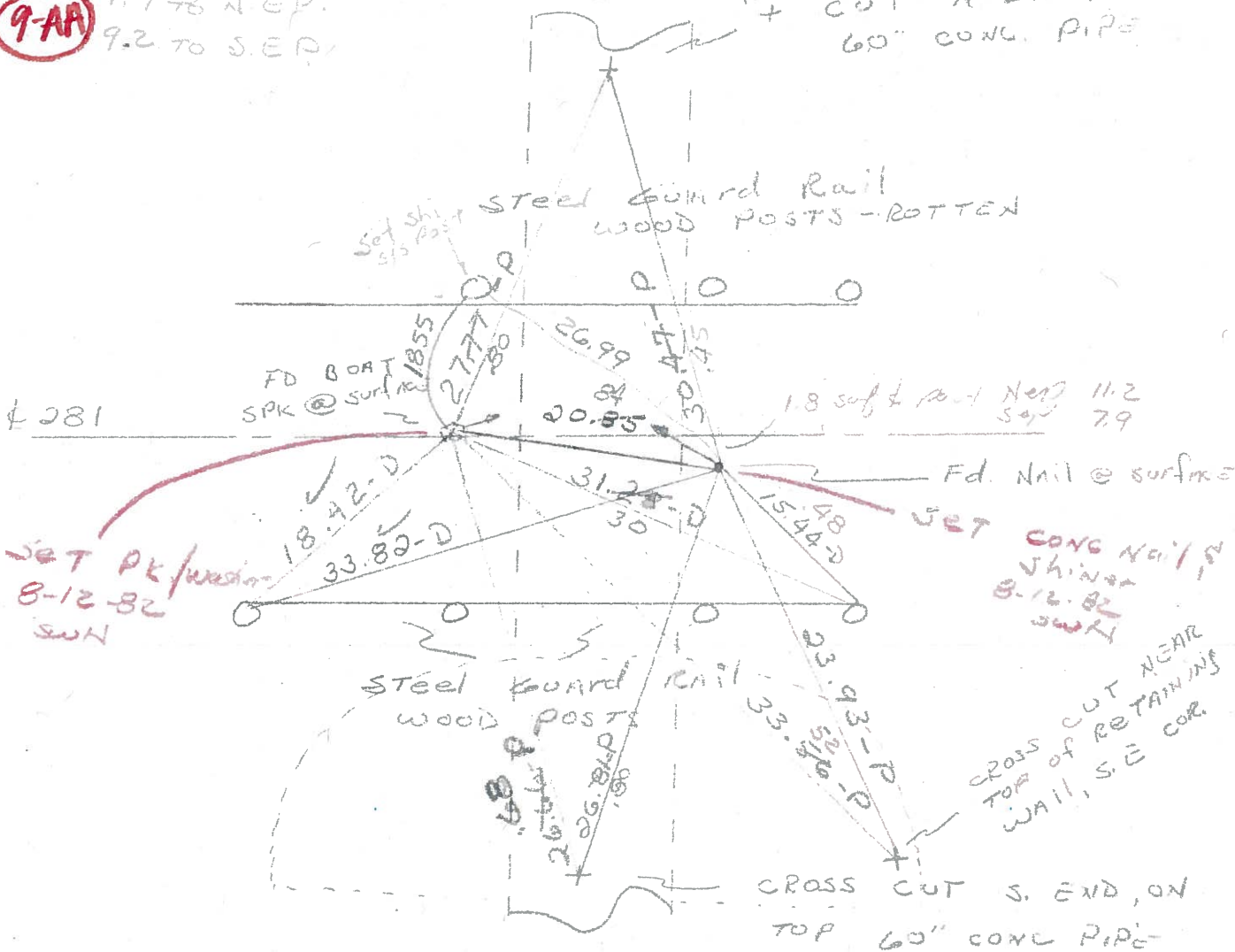
STA. 185 + 28.39

$\Delta = 0^\circ - 18' RT.$

9-AA

of part
9.7 to N.E.P.
9.2 to S.E.P.

"+" CUT N END, ON TOP
60" CONG. PIPE



O.D.O.T. DISTRICT 2 SURVEY OFFICE

Sht. of

OK-7-27-82 - 75°-S.W.H.

County Wood S.R. 281

Date 5-20-81

Township MILTON

Weather Clear

Section 22

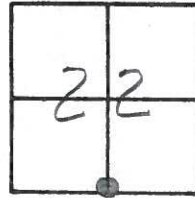
Temp. 60°

T4N, R9E

Personnel S. Hoffmann

C. Loehrke

L. Householder



#9 **9AA**

STA. 185+28.39
Δ = 0°-18' RT.

"+" CUT N. END, ON TOP
60" CONC. PIPE

SET P.K. & WASHER
8-12-82
S.W.H.

☐ 281

