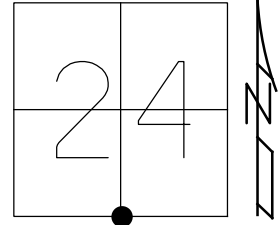


O.D.O.T. DISTRICT 2 SURVEY OFFICE (USE ONLY)

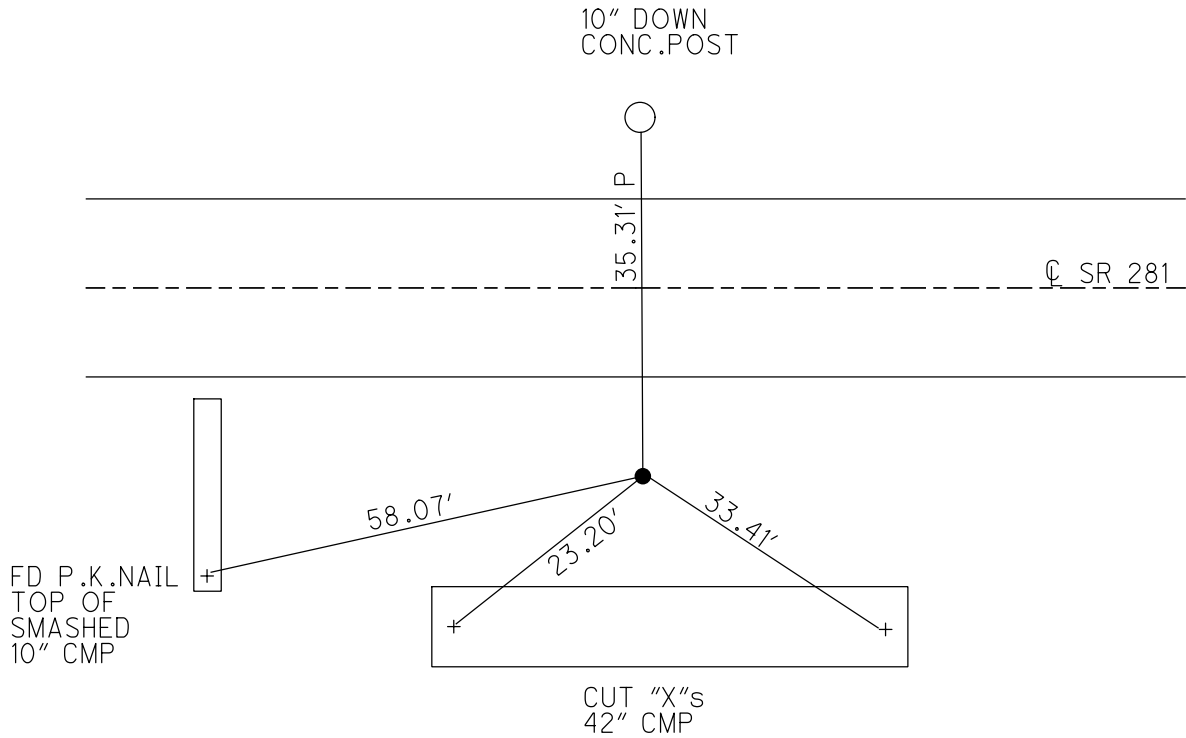
PERSONNEL _____ REFERENCE NO. 13 SHEET 2 OF 36
 NOTES MILLER DATE 7/11/19 ROUTE SR 281
 H.C. LEU WEATHER SUNNY COUNTY WOOD
 R.C. AUBLE TEMP. 85° TOWNSHIP MILTON
 DWG BY RHOADES PID 94340 SECTION 24
 T 4 N 9 E

TYPE MONUMENT 3/4" IPIN
~~ON SURFACE~~ - BELOW 8.5"
 OFFSET C PAVEMENT 14.2' ~~ET~~ : RT
3.5' TO RT EDGE PAVEMENT
 STATION: 292+22.58



HORZ. DATUM: NAD83 2011 GEOID: NAVD88 2018
 GRID: NORTHING: 592055.769 EASTING: 1617745.117

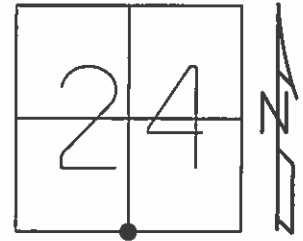
RECORD
 FD 3/4" IPIN
 ALLEGEDLY OVER
 STONE
 5/6/04, RGN
 FD 3/4" IPIN
 REF13
 7/11/19, JLL



O.D.O.T. DISTRICT 2 SURVEY OFFICE (USE ONLY)

PERSONNEL _____ REFERENCE NO. 13 SHEET 2 OF 25
 NOTES NUHFER DATE 5-6-04 ROUTE S.R. 281
 H.C. CANTERBURY WEATHER SUNNY COUNTY WOOD
 R.C. ARMS TEMP. +78° TOWNSHIP MILTON
 _____ SECTION 24
 _____ T 4 N R 9 E

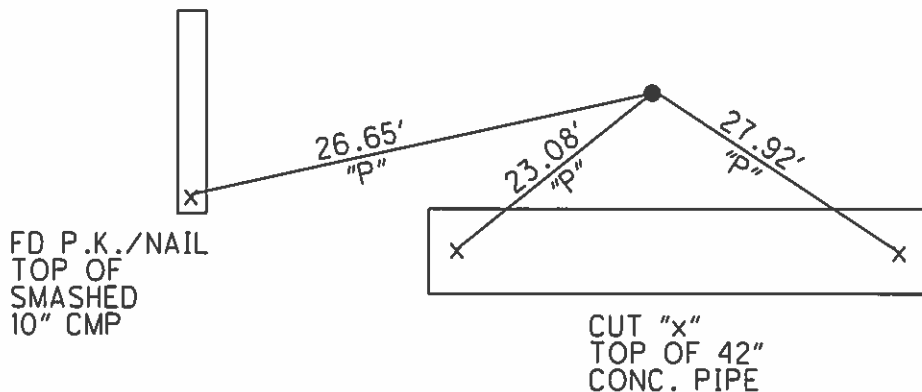
TYPE MONUMENT 3/4" IRON ROD
~~ON SURFACE~~ - BELOW 5"
~~|||||~~ - \odot PAV'T - RIGHT 13.8'
4.2' TO RT. EDGE PAVEMENT
 S.L.M. 292+77
 Grid: Northing: _____ Easting: _____



RECORD
 FD. 3/4" IRON ROD
 ALLEGEDLY OVER
 STONE

FD. IRON ROD
 5-6-04
 R.G.N.

_____ S.R. 281
 \odot PAVEMENT -----



O.D.O.T. DISTRICT 2 SURVEY OFFICE

PERSONNEL

REFERENCE NO. 13

SHEET _____ OF _____

NOTES BARNHISEL

H.C. Loehrke

R.C. Reed

Hoffman

DATE 8-24-88

WEATHER SUNNY

TEMP. +72°

ROUTE S.P. 281

COUNTY WOOD

TOWNSHIP MILTON

SECTION 24

T 4 N R 9 E

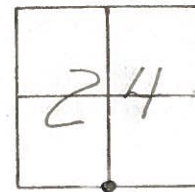
TYPE MONUMENT 3/4" IRON ROD

ON SURFACE - BELOW 5"

LEFT - C PAV'T. - RIGHT 13.8

4.2 TO E OF EDGE PAVEMENT

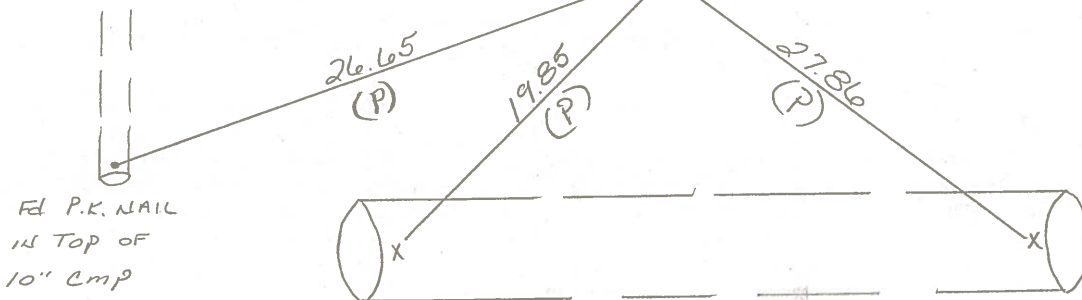
S.L.M. 292 +77



RECORD
 Fd 3/4" IRON ROD,
 ALLEGEDLY OVER
 STONE

☒ PAVT

S.P. 281



Fd P.K. NAIL
 IN TOP OF
 10" CMP

"X" cut on top of
 42" CONC DRIVE PIPE

Resubmitted 2004

County WOOD S.R. 281

Date 5-1-79

Township MILTON

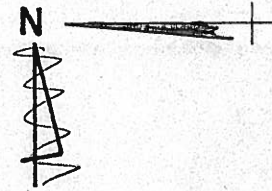
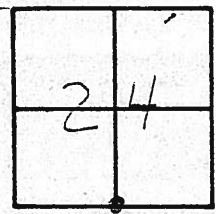
Weather CLEAR

Section S 1/4 Post SEC. 24

Temp. +45°

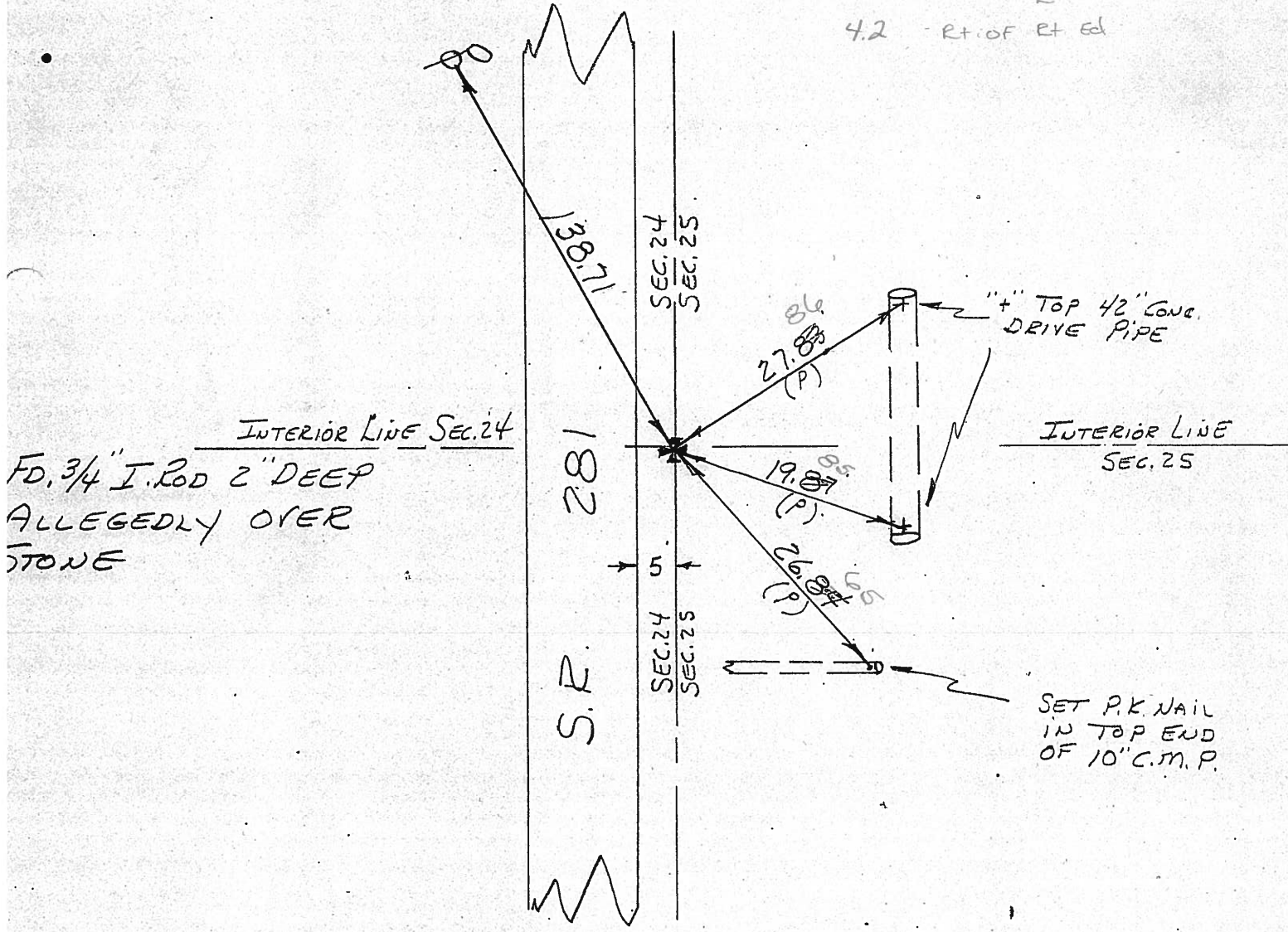
T4N, R9E

Personnel BURNSIDE
SMITH
BOWERS
KNAPE
MEAD



#13

292 +.77
13.8 Rt of C
4.2 Rt of Pt Ed



FD. 3/4" I. ROD 2" DEEP
ALLEGEDLY OVER
STONE

INTERIOR LINE
SEC. 25

SET P.K. NAIL
IN TOP END
OF 10" C.M.P.

PERSONNEL TITLE PERSONNEL TITLE COUNTY WOOD DATE OK-11-18-70
 CK. BY _____ S. R. #281 WEATHER _____
 SILVESTER _____ SEC. 23 & 24 TEMP. _____
 BURNSIDE _____
 SMITH _____

DESCRIPTION CONTROL TIES JOB NO. _____
 LEFT CENTER LINE RIGHT

LEFT	CENTER LINE	RIGHT
STA. 291+45.5 5/4 Pst SEC. 24 MILTON Twp. Δ = 0° - 03' LT. 5' SOUTH OF SOUTH EDGE PAVEMENT IRON PIN OVER STONE #154	<div style="border: 2px solid red; border-radius: 50%; width: 30px; height: 30px; display: flex; align-items: center; justify-content: center; margin: 0 auto;"> #13 </div>	SHINER T. POLE S.W. 82.2' 'X" W. END CONC. DR. TILE S.W. 20.0' 'X" E. END CONC. DR. TILE S.E. 27.7'
S.E. COR. SEC. 23 MILTON Twp. T-4-N R-9-E (INTERSECTION S.R. #281 & S.R. #235)	<div style="border: 2px solid red; border-radius: 50%; width: 30px; height: 30px; display: flex; align-items: center; justify-content: center; margin: 0 auto;"> #12 </div>	SHINER T. POLE N.E. 44.6' SHINER T. POLE S.W. 59.7' SHINER T. POLE S.S.W. 64.4' SHINER T. POLE S.E. 67.7' SHINER P. POLE W.N.W. 121.5'
#153-A OR #75 ON SR 235		

PERSONNEL TITLE PERSONNEL TITLE

COUNTY Wood

DATE 12-4-57

S. R. #281

7-20-59

WEATHER 11-3-60 ✓

SEC.

Silvester-2-28-64

TEMP.

DESCRIPTION

LEFT

CENTER LINE

RIGHT

JOB NO.

Sta. 291+45.5
 5/4 post sec. 24 Milton
 Twp. ~~Faded hub~~ over Stone
 $\Delta = 0^{\circ}03' \text{ Lt.}$ ~~gone~~ Placed I. Pin over Stone
 5' S. of S. edge part.

Shiner in T.P. S.W. 82.5
 X on W. end conc. dr. tile S.S.W. 20.0
 X on E. end conc. dr. tile S.E. 27.5

(13) #154

Fd. I. Pipe 10' S. of S. edge Part.
 Sta. 317+85.3 P.I.
 S.E. cor. sec. 24 Milton
 Twp. Stone
 $\Delta = 2^{\circ}20' \text{ Et.}$
 Range Line Rd.

Conc. Mon. S.W. 40.1
~~X on N. end of E. Hdwt. S.S.E. 25.2~~
~~X on S. end W. Hdwt. S.S.W. 34.0~~
 Shiner in P.P. N.E. 56.0
 Shiner in P.P. N.W. 58.5
~~X on N. end W. Hdwt. S.W. 13.0~~
 Shiner in T.P. S.E. 44.90'44.
 "X" in West end stone About W.S.W. 33.0

(14) #755

Fd. hub over stone stone 0.70' below Surface. Replaced with New hub.
 Sta. 26+55.2
 5/4 post sec. 19 Liberty
 Twp. Stone is 30" N. of
 N. edge of dch. bank
 13.9' S. of S. edge of pum't
 $\Delta = 0^{\circ}2' \text{ Et.}$

Conc. monument S.E. 39.0
 F.R. spike head in P.P. N. 53.0
 Shiner in T.P. S.S.E. 31.73 31.0
 About 13.9' S. of Part.

(15) #156

New W.P. → E.S.E. "X" N. End W. Wall 13.71'
 E.S.E. "X" N. End E. Wall 26.65'
 S.W. "X" Top of opening Conc. B.E. 20.66'