

O.D.O.T. DISTRICT 2 SURVEY OFFICE (USE ONLY)

PERSONNEL _____ REFERENCE NO. 14 SHEET 3 OF 36

NOTES NIESE DATE 10/4/21 ROUTE SR 281
 H.C. AUBLE WEATHER OVERCAST COUNTY WOOD
 R.C. NIESE TEMP. 63° TOWNSHIP MILTON
 SECTION 24

DWG BY RHOADES PID 94340 T 4 N R 9 E

TYPE MONUMENT MAG SHANK

ON SURFACE - ~~BELOW~~ ON _____

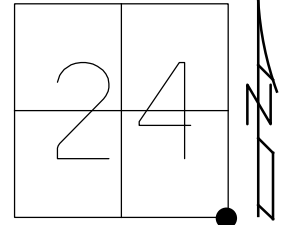
OFFSET \varnothing PAVEMENT 18.8' ~~LT~~ : RT

8.3' TO RT EDGE PAVEMENT

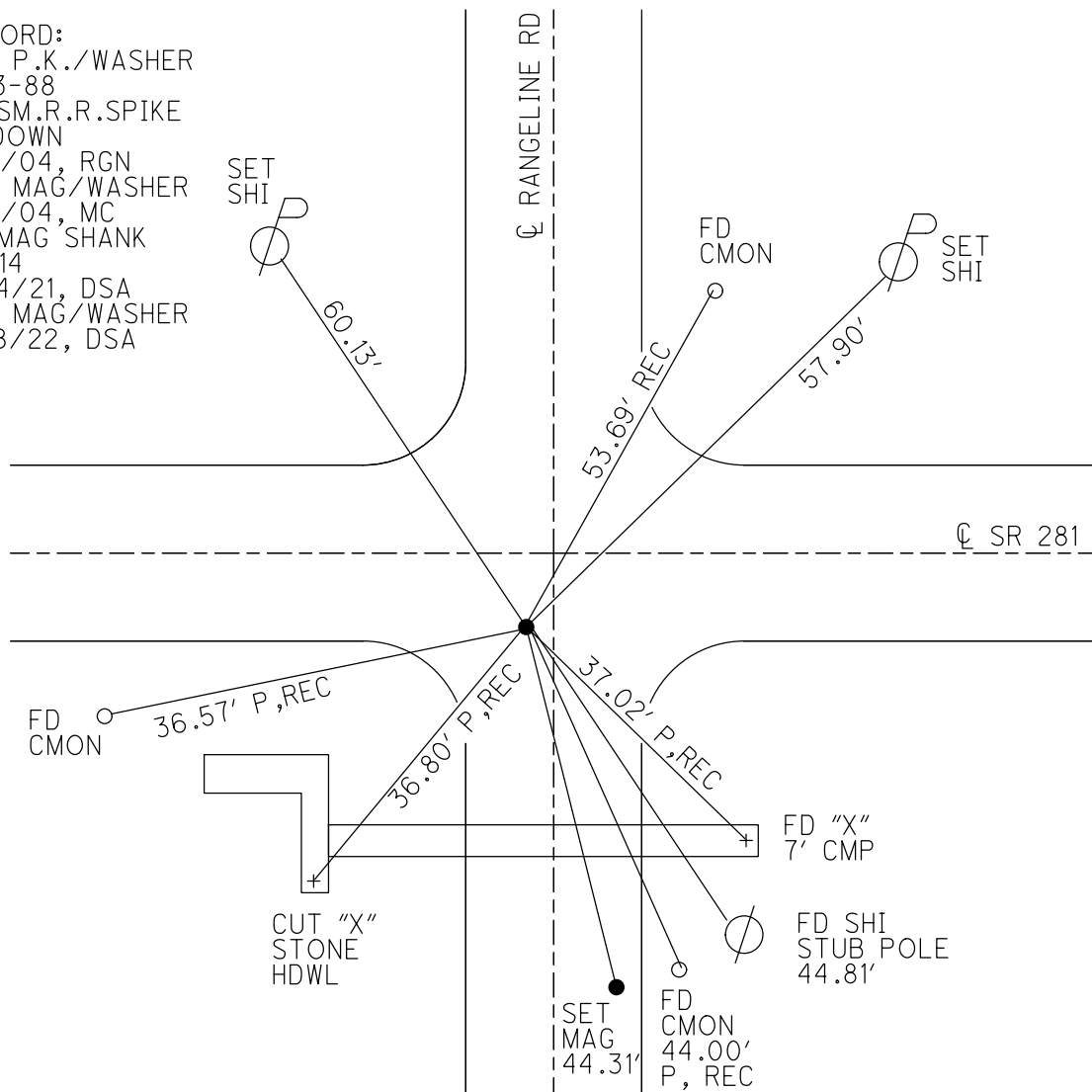
STATION: 319+62.02

HORZ. DATUM: NAD83 2011 GEOID: NAVD88 2018

GRID: NORTHING: 592042.746 EASTING: 1620484.518



RECORD:
 SET P.K./WASHER
 10-3-88
 FD SM.R.R.SPIKE
 2" DOWN
 5/6/04, RGN
 SET MAG/WASHER
 8/3/04, MC
 FD MAG SHANK
 REF14
 10/4/21, DSA
 SET MAG/WASHER
 12/8/22, DSA



O.D.O.T. DISTRICT 2 SURVEY OFFICE (USE ONLY)

PERSONNEL

REFERENCE NO. 14

SHEET 3 OF 25

NOTES NUHFER

DATE 5-6-04

ROUTE S.R. 281

H.C. CANTERBURY

WEATHER SUNNY

COUNTY WOOD

R.C. ARMS

TEMP. +78°

TOWNSHIP MILTON

SECTION 24

T 4 N R 9 E

TYPE MONUMENT SM. R.R. SPIKE

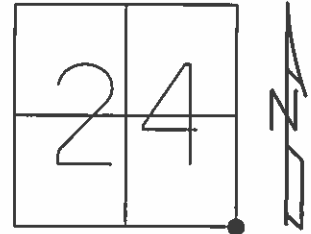
~~ON SURFACE~~ - BELOW 2"

~~||||~~ - Q PAV'T - RIGHT 18.8'

8.3' TO RT. EDGE PAVEMENT

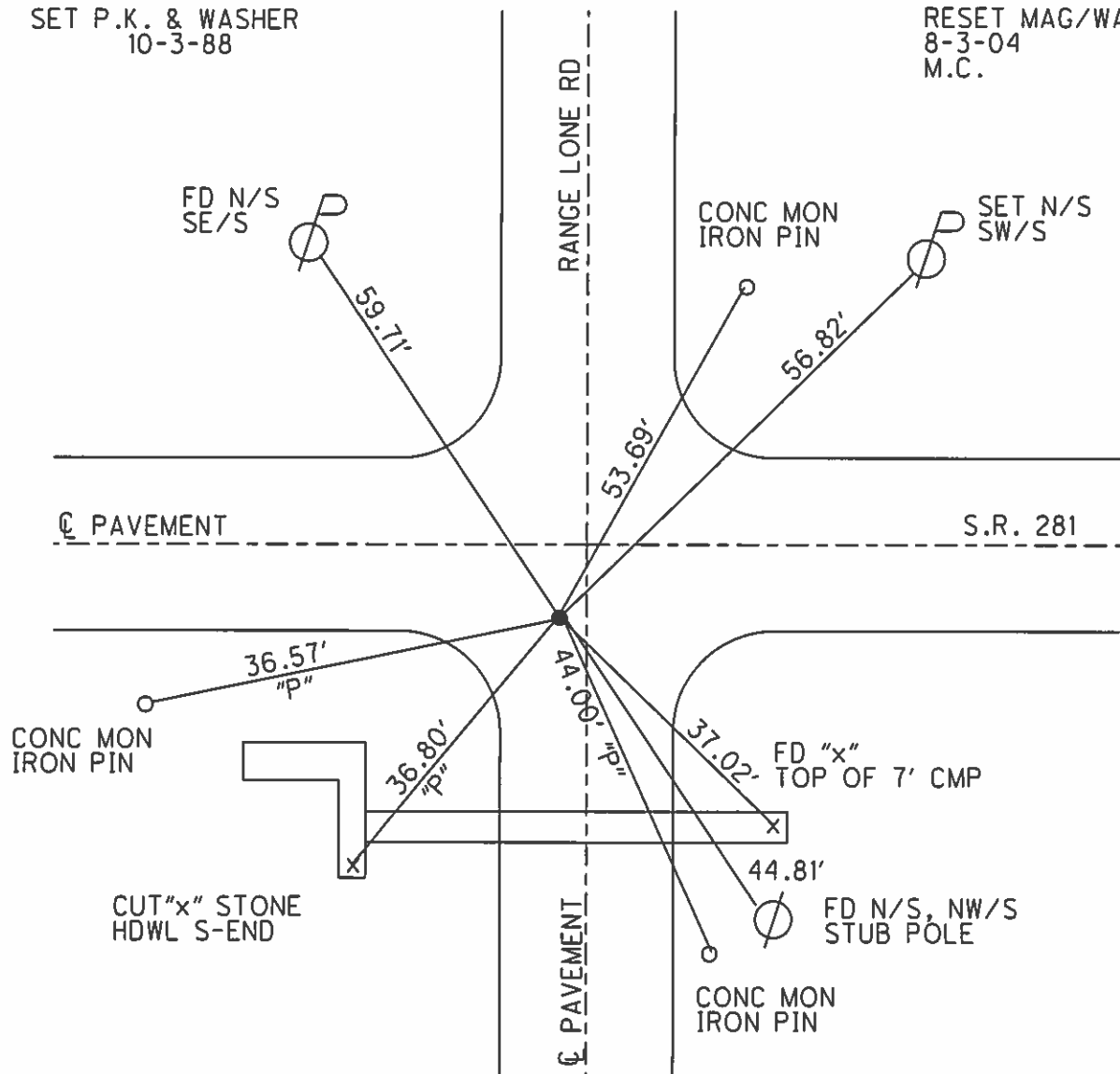
S.L.M. 320+18

Grid: Northing: _____ Easting: _____



SET P.K. & WASHER
10-3-88

RESET MAG/WASHER
8-3-04
M.C.



O.D.O.T. DISTRICT 2 SURVEY OFFICE

PERSONNEL _____

REFERENCE NO. 14

SHEET 3 OF 25

NOTES NUHFER

DATE 5-6-04

ROUTE S.R. 281

H.C. CANTERBURY

WEATHER SUNNY

COUNTY WOOD

R.C. ARMS

TEMP. +78°

TOWNSHIP MILTON

SECTION 24

T 4 N R 9 E

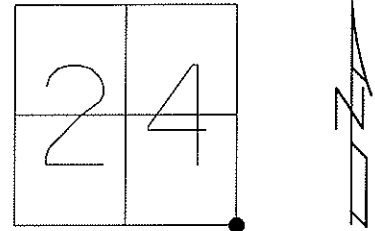
TYPE MONUMENT SM. R.R. SPIKE

BELOW SURFACE 0.2"

Q PAV'T - RIGHT 18.8'

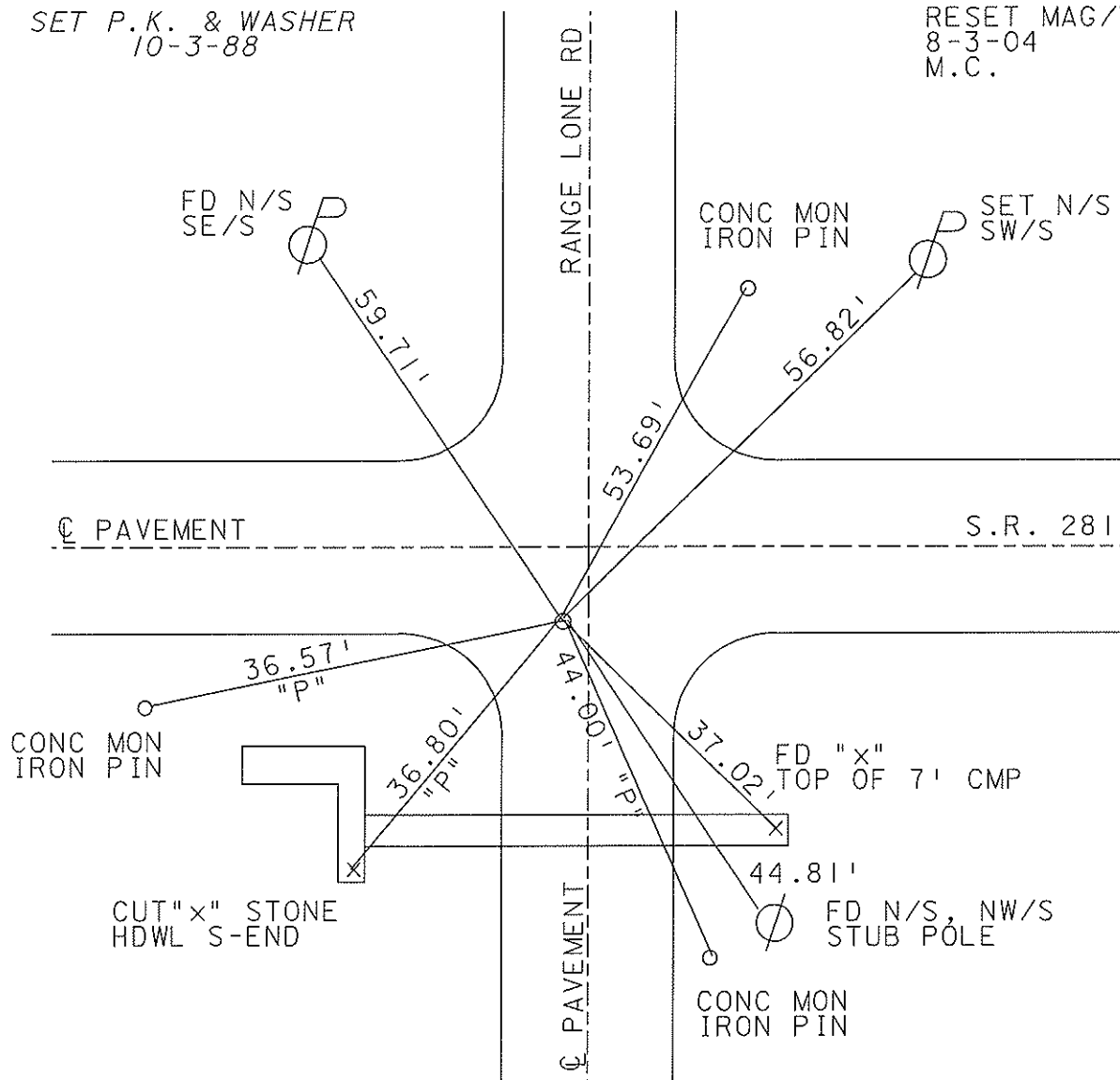
~~83.76~~ R.T. EDGE PAVEMENT

S.L.M. ~~8.3~~ 320+18



SET P.K. & WASHER
10-3-88

RESET MAG/WASHER
8-3-04
M.C.



O.D.O.T. DISTRICT 2 SURVEY OFFICE

PERSONNEL

REFERENCE NO. 14

SHEET OF

NOTES BAENHISEL

H.C. Loehrke

R.C. Reed

Hoffman

DATE 8-24-88

WEATHER Sunny

TEMP. +72°

ROUTE S.R. 281

COUNTY Wood

TOWNSHIP Milton

SECTION 24

T4 N R 9 E

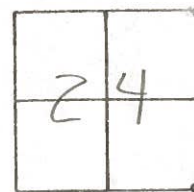
TYPE MONUMENT Sm RR Spk

ON SURFACE - BELOW yes

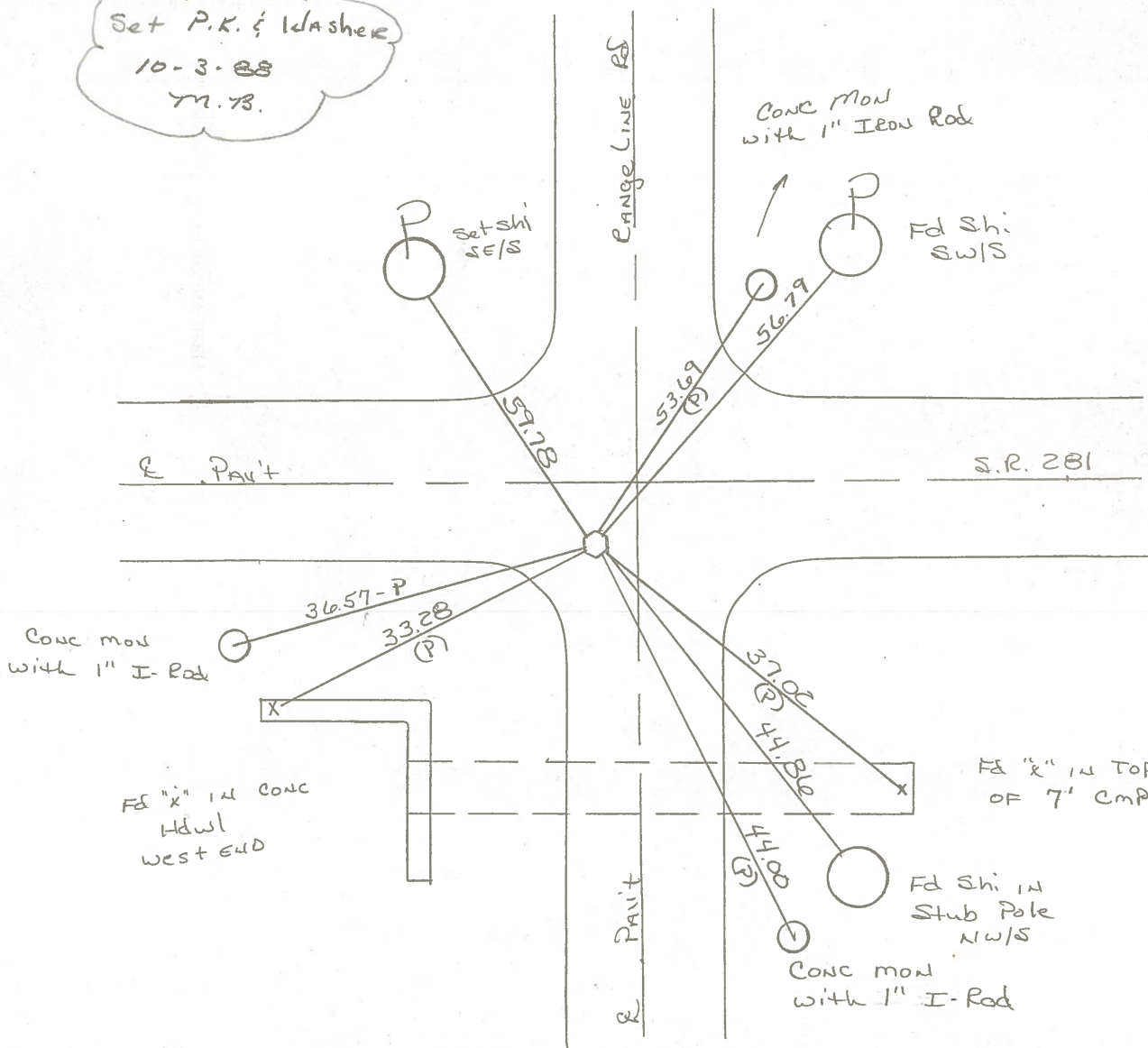
LEFT - 0 PAV'T. - RIGHT 18.8

8.3 ~~TO~~ TO EDGE PAVEMENT 3.5 WEST OF P. LINE Rd to the South

S.L.M. 320+18



Set P.K. & Washers
10-3-88
M.B.



County WOOD S.R. 281

Date 5-1-79

Township MILTON

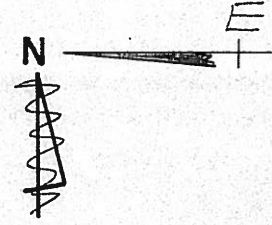
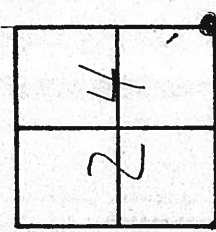
Weather CLEAR

Section S.E. COR. SEC. 24

Temp. +48°

T4N, R9E

Personnel BURNSIDE
SMITH
BOWERS
KNAPE
MEAD

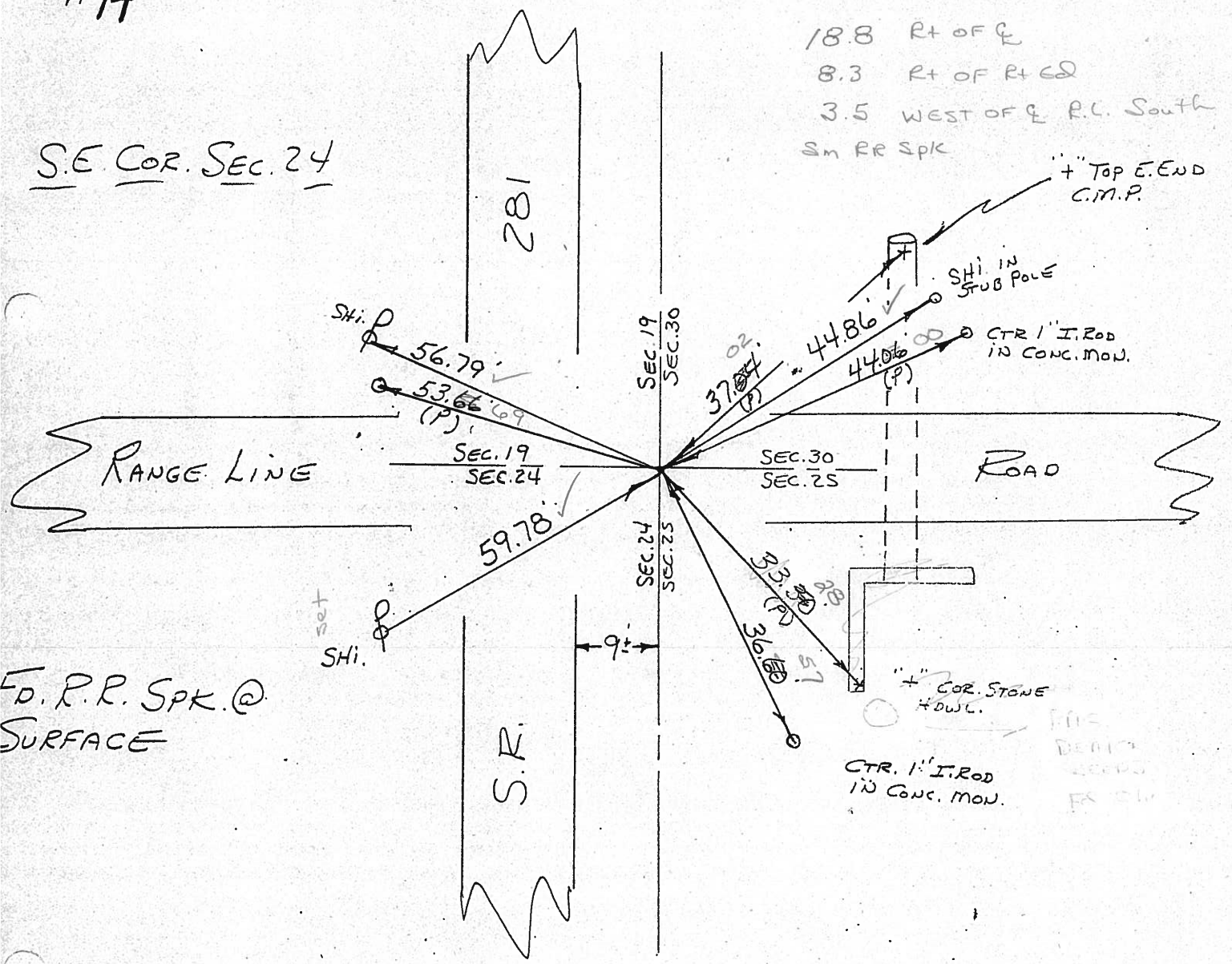


#14

S.E. COR. SEC. 24

320+18

- 18.8 Rt of E
- 8.3 Rt of Rt of E
- 3.5 WEST OF E R.L. South
- Sm RR Spk



PERSONNEL TITLE PERSONNEL TITLE COUNTY Wood DATE 08-5-66
 CK. BY SILVESTER #281 WEATHER
 BURNSIDE SEC. 24 & 19 TEMP.
 SMITH

DESCRIPTION CONTROL TIES JOB NO.
 LEFT CENTER LINE RIGHT

<p>STA. 26+55.2 S 1/4 1st SEC. 19 LIBERTY TWP. T-4-N R-10-E Δ = 0°-02' RT. STONE IS 30" N. OF N. EDGE OF DCH. BANK & 139' S. OF S. EDGE OF PAVEMENT</p> <p>#156</p>		<p>#15</p>							<p>R.R. Spk. P. POLE N. 53.7 SHINER T. POLE S.S.E. 31.7 "X"-N. END W. WALL E.S.E. 13.7 "X"-N. END E. WALL E.S.E. 26.6 "X"-TOP & OPENING CONC. BR. S.W. 20.6</p>
<p>STA. 317+85.3 S.E. COR. SEC. 24 MILTON TWP. Δ = 2°-20' RT. FD. 1" I. PIPE 10' S. OF S. EDGE PAVEMENT (RANGE LINE ROAD)</p> <p>#155</p>		<p>#14</p>							<p>SHINER P. POLE N.E. 56.8 SHINER P. POLE N.W. 58.9 SHINER T. POLE S.E. 44.8 "X"-WEST END STONE ABUT. W. S.W. 33.27 (P)</p>

PERSONNEL TITLE PERSONNEL TITLE

COUNTY Wood

DATE 12-4-57

S. R. #281

7-20-59 WEATHER 11-3-60 ✓

SEC.

Silvester-2-28-64

TEMP.

DESCRIPTION

LEFT

CENTER LINE

RIGHT

JOB NO.

Sta. 291+45.5
 5/4 post sec. 24 Milton
 Twp. ~~Jacked hub~~ over Stone
 $\Delta = 0^{\circ}03' \text{ Lt.}$
 5' S. of S. edge part.

Placed I. Pin over Stone

Shiner in T.P. S.W. 82.5
 X on W. end conc. dr. tile S.W. 20.0
 X on E. end conc. dr. tile S.E. 27.5

13

#154

Fd. 1" I. Pipe 10' S. of S. edge Part.
 Sta. 317+85.3 P.I.
 S.E. cor. sec. 24 Milton
 Twp. Stone
 $\Delta = 2^{\circ}20' \text{ E.}$
 Range Line Rd.

Conc. Mon. S.W. 40.1
~~X on N. end of E. Hdwt. S.S.E. 25.0~~
~~X on S. end W. Hdwt. S.S.W. 34.0~~
 Shiner in P.P. N.E. 56.0
 Shiner in P.P. N.W. 58.5
~~X on N. end W. Hdwt. S.W. 13.0~~
 Shiner in T.P. S.E. 44.90' 44.
 "X" in West end Stone about W.S.W. 33.

14

#155

F. Hub over stone. Stone 0.70' below Surface. Replaced with New Hub.
 Sta. 26+55.2
 5/4 post sec. 19 Liberty
 Twp. Stone is 30" N. of
 N. edge of dch. bank
 13.9' S. of S. edge of P.I.
 $\Delta = 0^{\circ}2' \text{ E.}$

Conc. monument S.E. 39.0
 E.R. spike head in P.P. N. 53.0
 Shiner in T.P. S.S.E. 31.73 31.7
 About 13.9' S. of Part.

15

#156

New W.I. 2 E.S.E. "X" N. End W. Wall 13.71'
 E.S.E. "X" N. End E. Wall 26.65'
 S.W. "X" Top of opening Conc. Br. 20.66'