

O.D.O.T. DISTRICT 2 SURVEY OFFICE (USE ONLY)

PERSONNEL \_\_\_\_\_

REFERENCE NO. 27 A

SHEET 16 OF 36

NOTES NIESE

DATE 10/5/21

ROUTE SR 281

H.C. AUBLE

WEATHER PT.CLOUDY

COUNTY WOOD

R.C. NIESE

TEMP. 68°

TOWNSHIP PORTAGE

SECTION 19

DWG BY RHOADES PID 94340

T 4 N R 11 E

TYPE MONUMENT MONBOX W/ 1" IPIN

ON SURFACE - ~~BELOW~~ ON

OFFSET Q PAVEMENT 0.5' LT : ~~RT~~

12' TO LT EDGE PAVEMENT

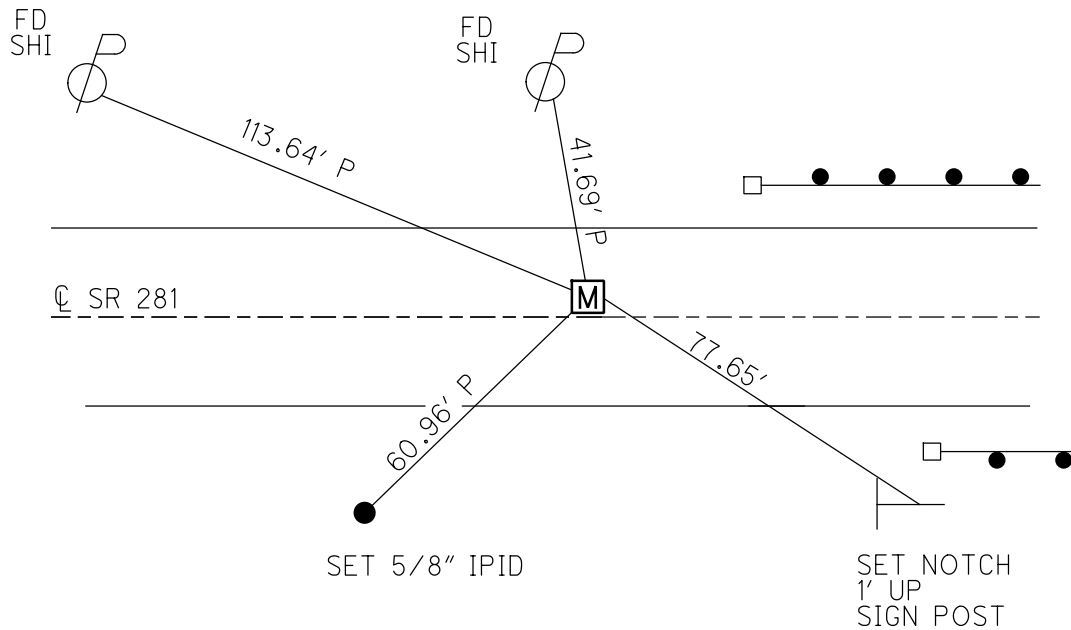
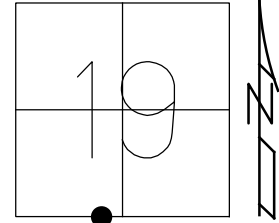
STATION: 660+24.21

HORZ.DATUM: NAD83 2011

GEOID: NAVD88 2018

GRID: NORTHING: 590833.640

EASTING: 1654501.798

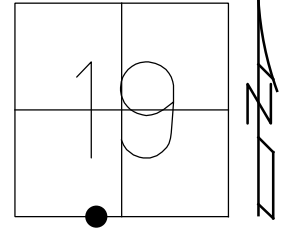


RECORD:  
 FD MONBOX  
 9-27-00  
 FD MONBOX  
 W/ 1" IPIN  
 5-25-04  
 7-8-04, RGN  
 FD MONBOX  
 W/ 1" IPIN  
 12-20-13, JLL  
 FD MONBOX  
 W/ 3/4" IPIN  
 REFA27  
 3-19-18, JLL  
 FD IPIN  
 5" DOWN  
 LEANING SOUTH  
 CKREFA27  
 6-13-18, JLL  
 FD MONBOX  
 W/ 1" IPIN  
 NEWREFA27  
 1-14-19, JLL  
 10/5/21, DSA

O.D.O.T. DISTRICT 2 SURVEY OFFICE (USE ONLY)

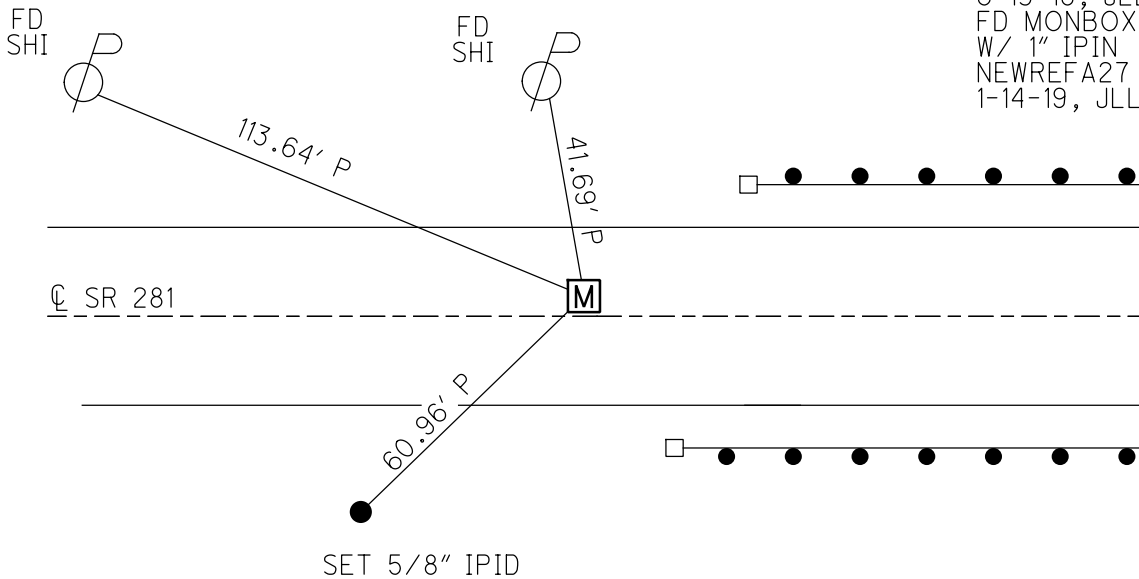
PERSONNEL \_\_\_\_\_ REFERENCE NO. 27 A SHEET 16 OF 27  
 NOTES LEU DATE 1-14-19 ROUTE SR 281  
 H.C. LEU WEATHER SUNNY COUNTY WOOD  
 R.C. MILLER TEMP. 25° TOWNSHIP PORTAGE  
 DWG BY JAMES PID 97957 SECTION 19  
 T 4 N R 11 E

TYPE MONUMENT MONBOX W/ 1" IPIN  
 ON SURFACE - ~~BELOW~~ ON  
 OFFSET Q PAVEMENT 0.5' LT : ~~RT~~  
12' TO LT EDGE PAVEMENT  
 STATION: 660+67



HORZ.DATUM: NAD83 2011 GEOID: NAVD88 2012A  
 GRID: NORTHING: 590833.640 EASTING: 1654501.798

RECORD:  
 FD MONBOX  
 9-27-00  
 FD MONBOX  
 W/ 1" IPIN  
 5-25-04  
 7-8-04, RGN  
 FD MONBOX  
 W/ 1" IPIN  
 12-20-13, JLL  
 FD MONBOX  
 W/ 3/4" IPIN  
 REFA27  
 3-19-18, JLL  
 FD IPIN  
 5" DOWN  
 LEANING SOUTH  
 CKREFA27  
 6-13-18, JLL  
 FD MONBOX  
 W/ 1" IPIN  
 NEWREFA27  
 1-14-19, JLL



**O.D.O.T. DISTRICT 2 SURVEY OFFICE (USE ONLY)**

PERSONNEL

REFERENCE NO. 27-A

SHEET 16 OF 25

NOTES RHOADES

DATE 12-20-13

ROUTE S.R. 281

H.C. LEU

WEATHER RAINY/WINDY

COUNTY WOOD

R.C. RHOADES

TEMP. 40° F

TOWNSHIP PORTAGE

SECTION 19

T 4 N R 11 E

TYPE MONUMENT 1" IRON PIN IN MONUMENT BOX

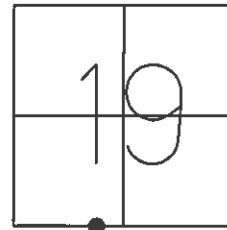
ON SURFACE - ~~BELOW~~ YES

LEFT - Q PAV'T ~~RIGHT~~ 0.9'

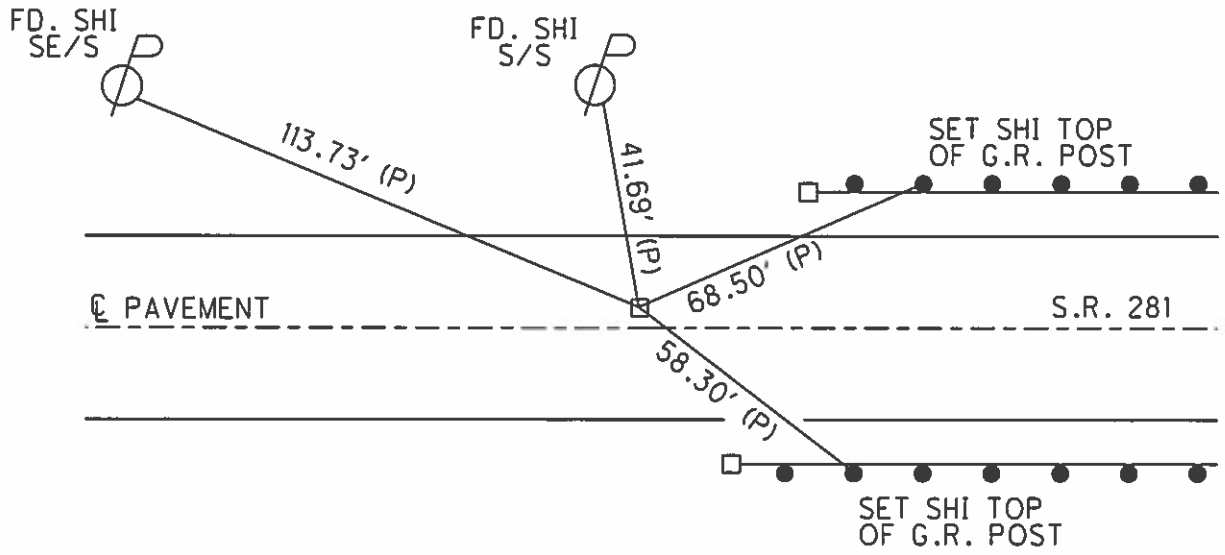
12' TO LT. EDGE PAVEMENT

S.L.M. 660+67

Grid: Northing: 590,833.637 Easting: 1,654,501.846



NAD83 (2011) GEOID 12A



**RECORD**

09-27-00  
RE-SET WITH NEW  
BOX TO GRADE

05-25-04 RGN  
FD. 1" I.P. IN MON BOX

07-08-04 RGN  
MON BOX VISIBLE

O.D.O.T. DISTRICT 2 SURVEY OFFICE

PERSONNEL

REFERENCE NO. 27-A

SHEET 2 OF 11

NOTES HOFFMAN

H.C. LOEHRKE

R.C. BARNHISEL

DATE 6-5-90

WEATHER CLEAR

TEMP. 68°

ROUTE SR 281

COUNTY WOOD

TOWNSHIP PORTAGE

SECTION 19

T 4 N R 11 E

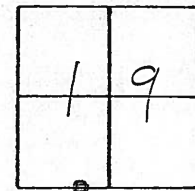
TYPE MONUMENT MONUMENT BOX

ON SURFACE - BELOW YES

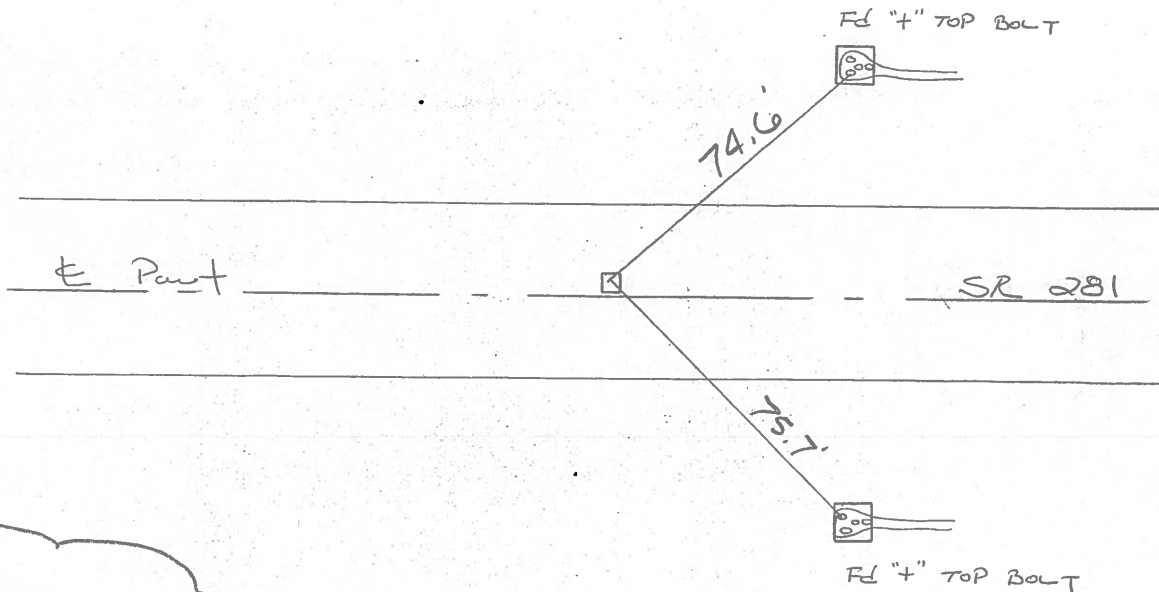
LEFT - CTR PAV'T. - RIGHT 0.9

11.0 TO LT EDGE PAVEMENT

S.L.M. 660+67



DID NOT OPEN BOX  
TIES TO CTR of LID



NOTE:  
Re-set with  
New Box To GRADE  
9-27-00

ODOT. DISTRICT 2 SURVEY OFFICE

SHEET \_\_\_\_\_ OF \_\_\_\_\_

County WOOD S.R. 281

Date MARCH 28, 83

Township PORTAGE

Weather OVERCAST - WINDY

Section 19

Temp. +30°

T4N, R1E

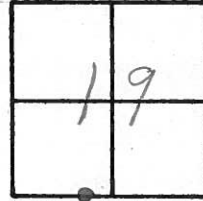
Personnel HOFFMAN

LOEHLKE

HOUSEHOLDER

BARWISSEL

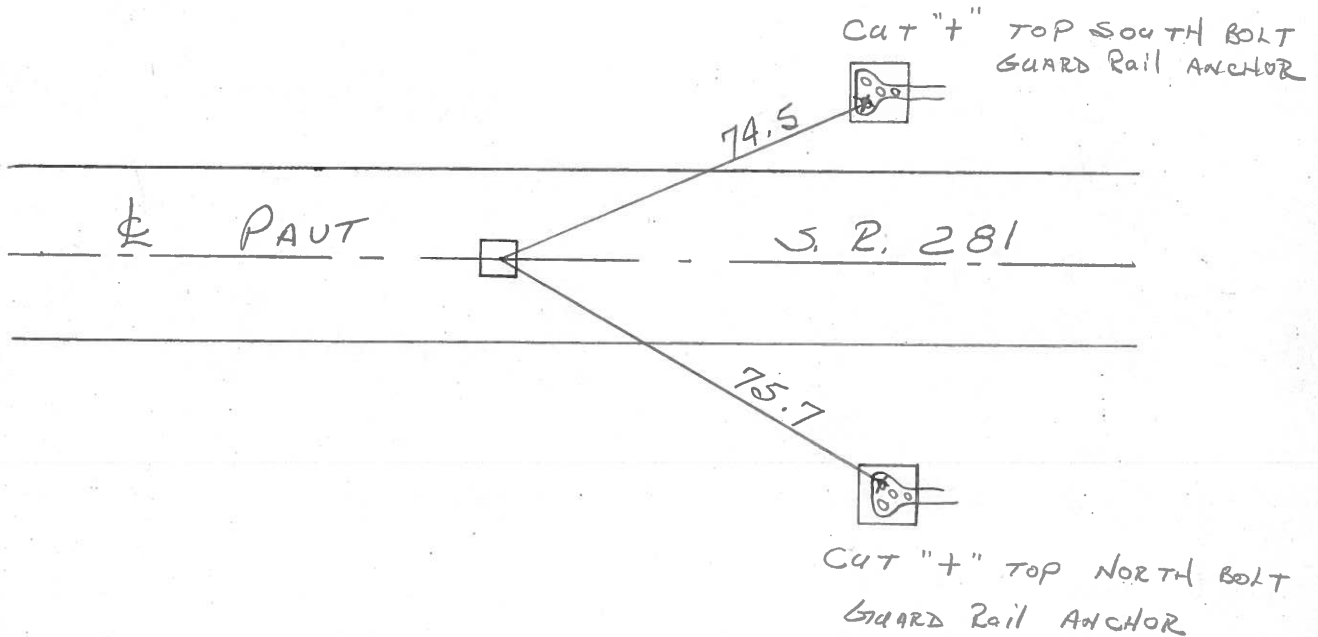
27-A



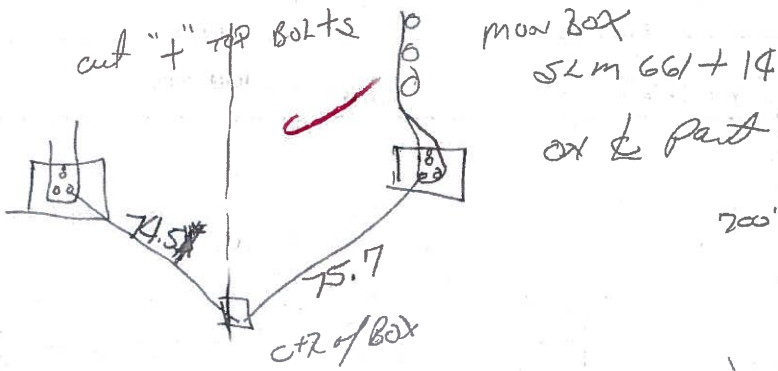
Fd  mon. Box @ surface ✓ 5/25/83  
on & PAUT.

SLM 661+15

DID NOT OPEN BOX -  
TIES TO CTR of LID.

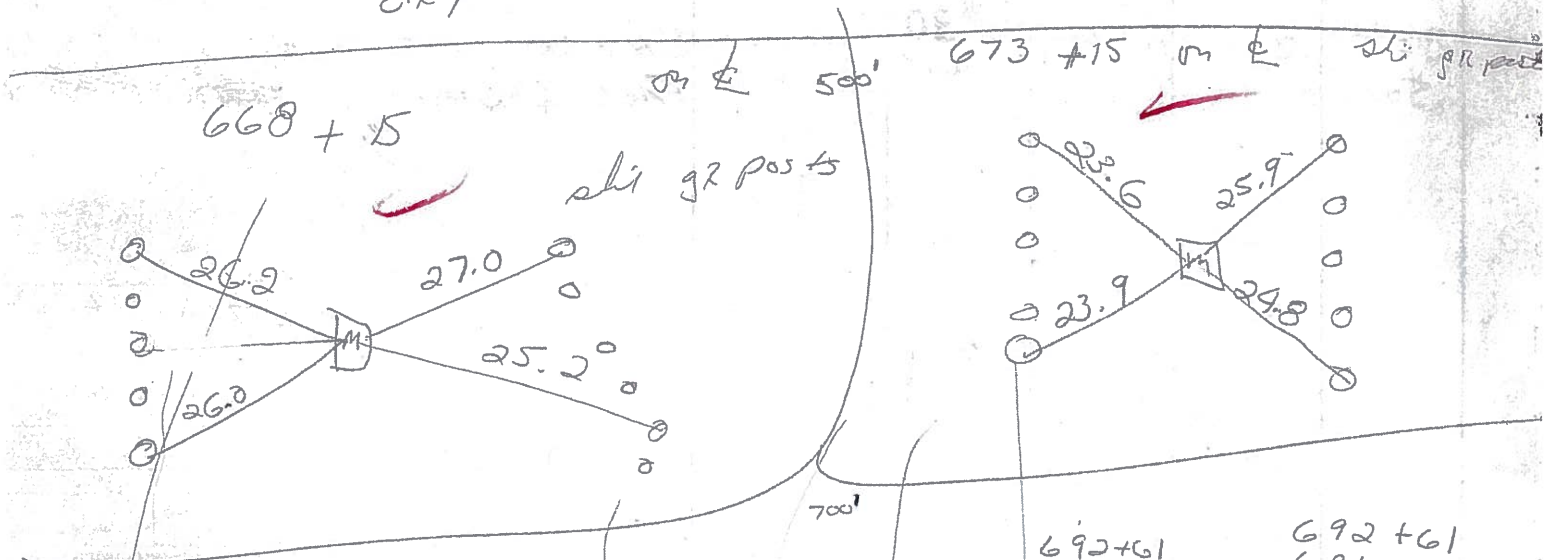


**27-A**



main box  
SLM 661+14  
on & part

700'



681+15  
m & part

$$\begin{array}{r} 692+61 \\ 661+14 \\ \hline 31+47 \end{array}$$

76+40

$$\begin{array}{r} 692+61 \\ 681+15 \\ \hline 11+46 \end{array}$$

$$\begin{array}{r} 692+61 \\ 668+15 \\ \hline 24+46 \end{array}$$

