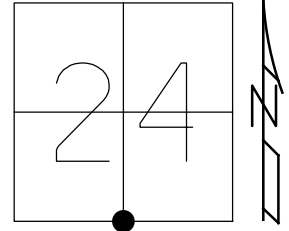


O.D.O.T. DISTRICT 2 SURVEY OFFICE (USE ONLY)

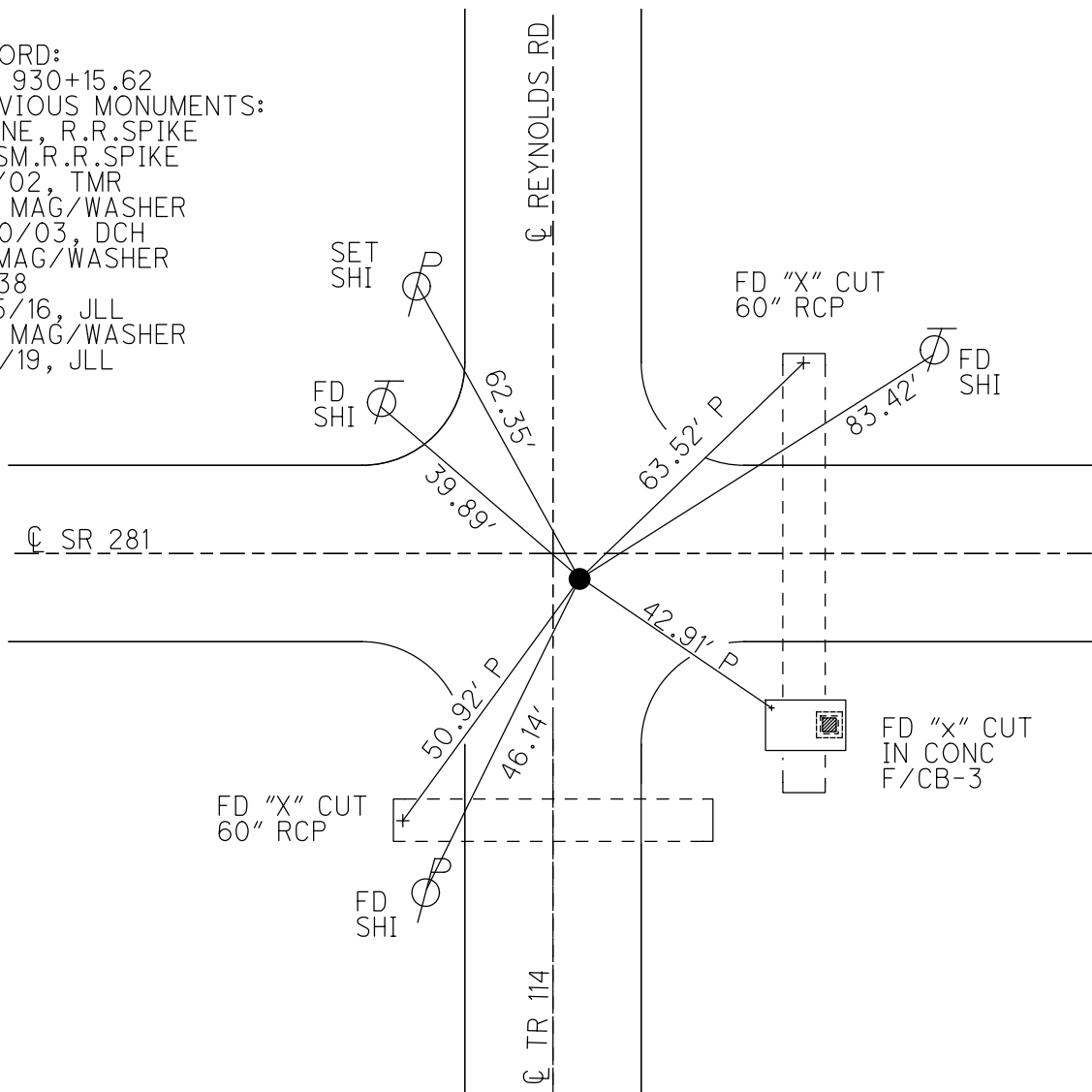
PERSONNEL _____ REFERENCE NO. 38 SHEET 5 OF 10
 NOTES RHOADES DATE 5/14/19 ROUTE SR 281
 H.C. LEU WEATHER SUNNY COUNTY WOOD
 R.C. MILLER TEMP. 60° TOWNSHIP PORTAGE
 DWG BY NIESE PID 102824 SECTION 24
 T 4 N R 11 E

TYPE MONUMENT MAG/WASHER
 ON SURFACE - ~~BELOW~~ ON
 OFFSET \varnothing PAVEMENT 3.0' ~~RT~~ : RT
- TO - EDGE PAVEMENT
 STATION: 930+51



HORZ. DATUM: NAD83(2011) GEOID: 2012A
 GRID: NORTHING: 590378.597 EASTING: 1681395.107

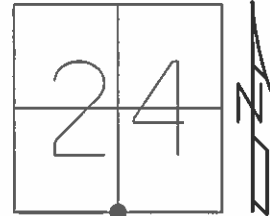
RECORD:
 STA 930+15.62
 PREVIOUS MONUMENTS:
 STONE, R.R.SPIKE
 FD SM.R.R.SPIKE
 7/1/02, TMR
 SET MAG/WASHER
 2/20/03, DCH
 FD MAG/WASHER
 REF38
 11/15/16, JLL
 SET MAG/WASHER
 9/5/19, JLL



O.D.O.T. DISTRICT 2 SURVEY OFFICE (USE ONLY)

PERSONNEL _____ REFERENCE NO. 38 SHEET 6 OF 9
 NOTES ROUSOS DATE 7/1/02 ROUTE SR 281
 H.C. ROUSOS WEATHER SUNNY COUNTY WOOD
 R.C. HOMAN TEMP. 93° TOWNSHIP PORTAGE
 SECTION 24
 T 4 N R 11 E

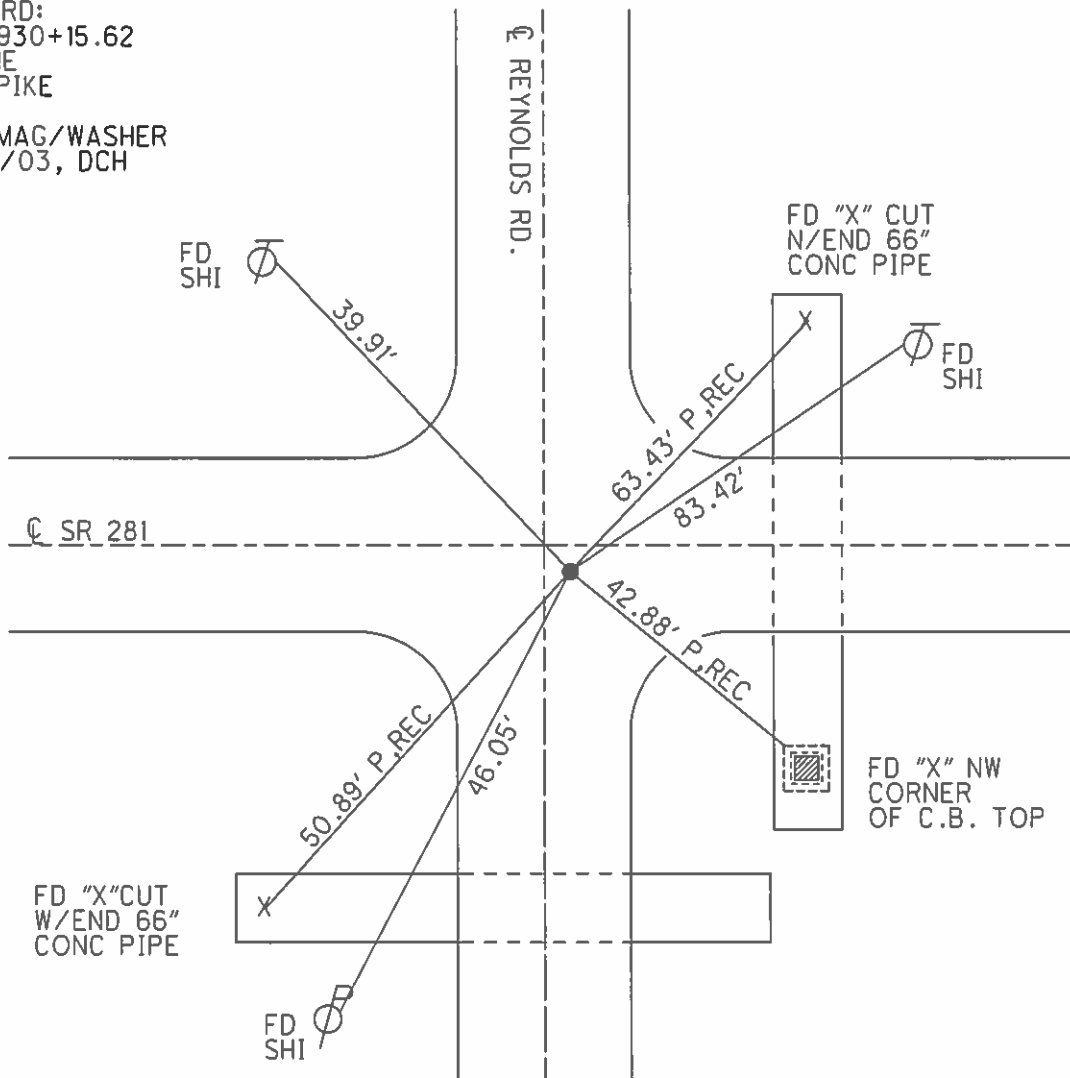
TYPE MONUMENT SM.R.R.SPIKE
 ON SURFACE - ~~BELOW~~ ON _____
~~LEFT~~ - ☉ PAV'T - RIGHT 2.8' 1' E OF ☉ N
 - TO - EDGE PAVEMENT
 S.L.M. 930+51



Grid: Northing: _____ Easting: _____

RECORD:
 STA 930+15.62
 STONE
 RR SPIKE

SET MAG/WASHER
 2/20/03, DCH



O.D.O.T. DISTRICT 2 SURVEY OFFICE

PERSONNEL _____

REFERENCE NO. 38

SHEET _____ OF _____

NOTES BARNHISEL

H.C. HOFFMAN

R.C. SOELKMAN

DATE 4-27-87

WEATHER SUNNY

TEMP. +55°

ROUTE 281

COUNTY WOOD

TOWNSHIP PORTAGE

SECTION 24

T4 NR 11 E

TYPE MONUMENT P.K. NAIL

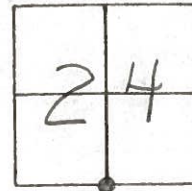
ON SURFACE - BELOW yes

LEFT - ℄ PAV'T. - RIGHT 2.8

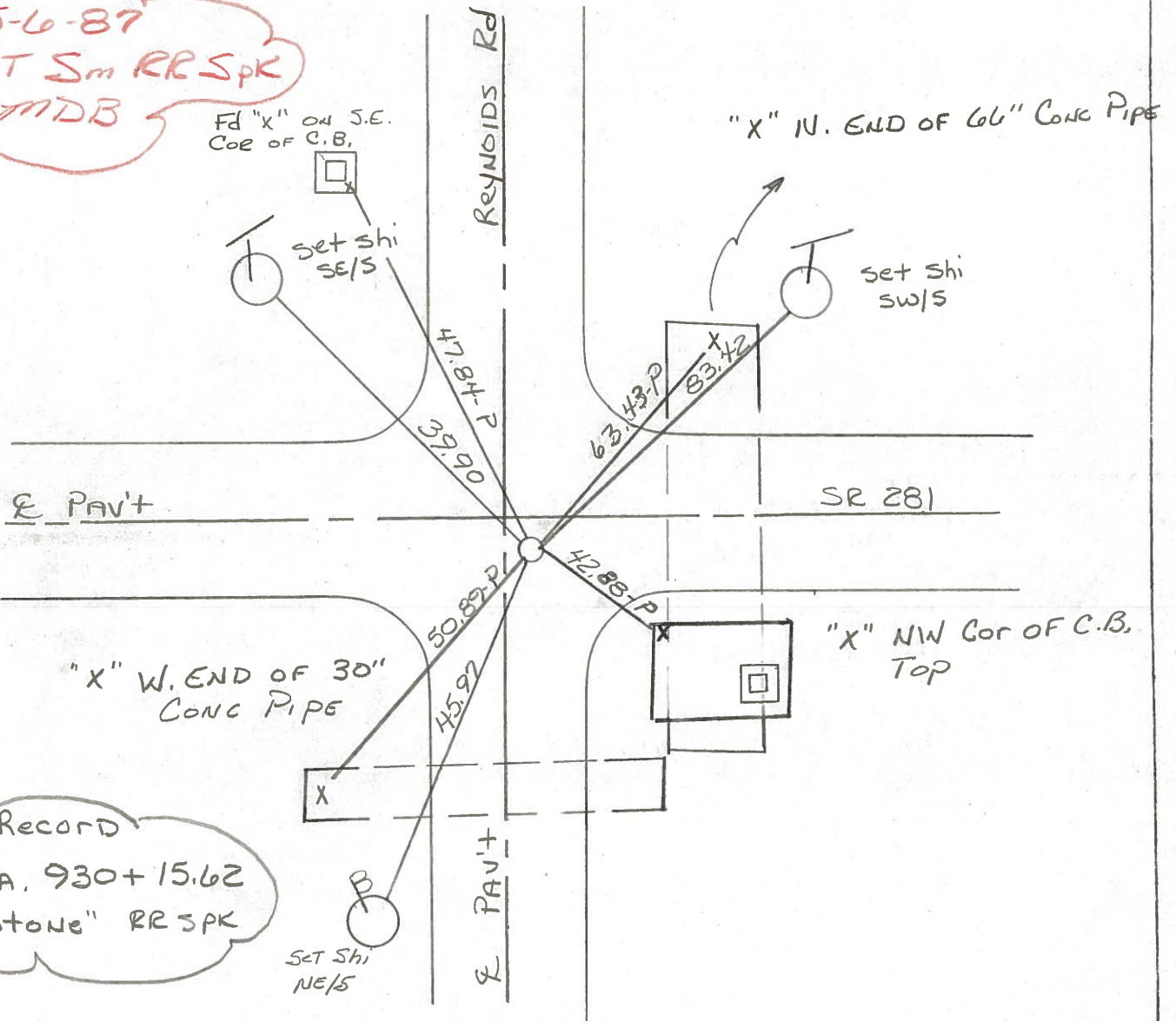
- TO - EDGE PAVEMENT

S.L.M. 930+51

1' E. OF ♀ REYNOLDS N.



5-6-87
SET Sm RR Spk
MDB



Record
Sta. 930+15.62
"Stone" RR Spk

PERSONNEL	TITLE	PERSONNEL	TITLE

COUNTY WOOD DATE OK-8-11-69

S. R. #281 WEATHER _____

SEC. 23 & 24 TEMP. _____

DESCRIPTION _____ LEFT _____ CENTER LINE _____ RIGHT _____ JOB NO. _____

DESCRIPTION	LEFT	CENTER LINE	RIGHT
STA. 930+15.62 S. 1/4 Post SEC. 24 PORTAGE Twp. "STONE"-SET R.R. Spk. REYNOLDS ROAD #177			"X"-N.W. COR. C.B. Top. S.E. 42.86 "X"-W. END 30' CONC. PIPE S.W. 50.87 ^(P) "X"-N. END 66' CONC. PIPE N.E. 63.41 ^(P)
STA. 903+36.10 S.E. COR. SEC. 23 PORTAGE Twp. $\Delta = 0^\circ - 12' LT.$ "STONE"-SET R.R. Spk. BLOOMDALE ROAD #176			SHINER IN T. POLE S.E. 94.12 SHINER IN T. POLE S.S.E. 91.74 SHINER IN P. POLE S.W. 83.50 "X" N.E. END CONC. C.B. S.W. 37.78 "X" N. END 60" PIPE N.W. 57.90 SHINER IN T. POLE N.N.E. 93.34 NEAR EDGE CONC. BLK. FDN. N.E. 88.08 WELL CASING E.N.E. 88.30

#38

#37

PERSONNEL	TITLE	PERSONNEL	TITLE
Jameson			
\$			
Crew			

COUNTY Wood DATE 6-25-58
 S. R. #281 WEATHER Snow
 Morrison 8-24-62
 SEC. _____ TEMP. 75° 11-1-61
 Silvester 2-28-64
 JOB NO. _____

DESCRIPTION	LEFT	CENTER LINE	RIGHT
-------------	------	-------------	-------

