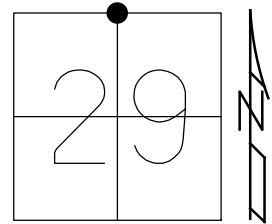


O.D.O.T. DISTRICT 2 SURVEY OFFICE (USE ONLY)

PERSONNEL _____ REFERENCE NO. 43 SHEET 2 OF 51
 NOTES MILLER _____ DATE 6/14/23 ROUTE SR 281
 H.C. AUBLE _____ WEATHER BREEZY COUNTY WOOD
 R.C. NIESE _____ TEMP. 57° TOWNSHIP MONTGOMERY
 BEJARANO _____ SECTION 29
 DWG BY RHOADES PID CHIP SEAL T 4 N R 12 E

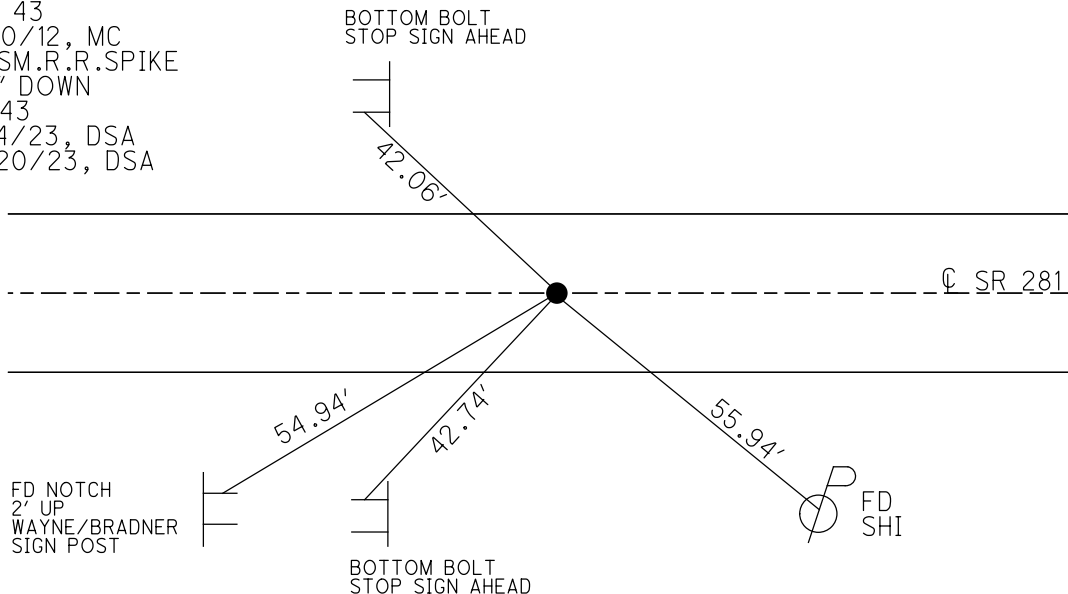
TYPE MONUMENT SM.R.R.SPIKE
~~ON SURFACE~~ - BELOW 2.5"
 OFFSET \odot PAVEMENT 0.3' ~~RT~~ : RT
9.7' TO RT EDGE PAVEMENT
 STATION: 1038+05



HORIZ.DATUM: NAD83 2011 GEOID: NADV88 2018
 GRID: NORTHING: 590305.308 EASTING: 1692072.245

RECORD:
 SET P.K./WASHER
 9/9/91, MB
 FD P.K. SHANK
 SV43
 11/2/10
 FD P.K./WASHER
 0.15' DOWN
 3/19/12, MC
 SET N/SHI
 7/24/12
 REF 43
 7/30/12, MC
 FD SM.R.R.SPIKE
 2.5" DOWN
 REF43
 6/14/23, DSA
 10/20/23, DSA

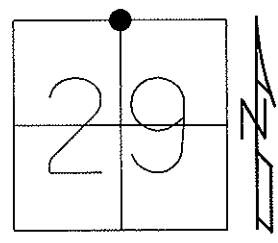
WOOD LPD:
 N: 412670.951
 E: 203672.913



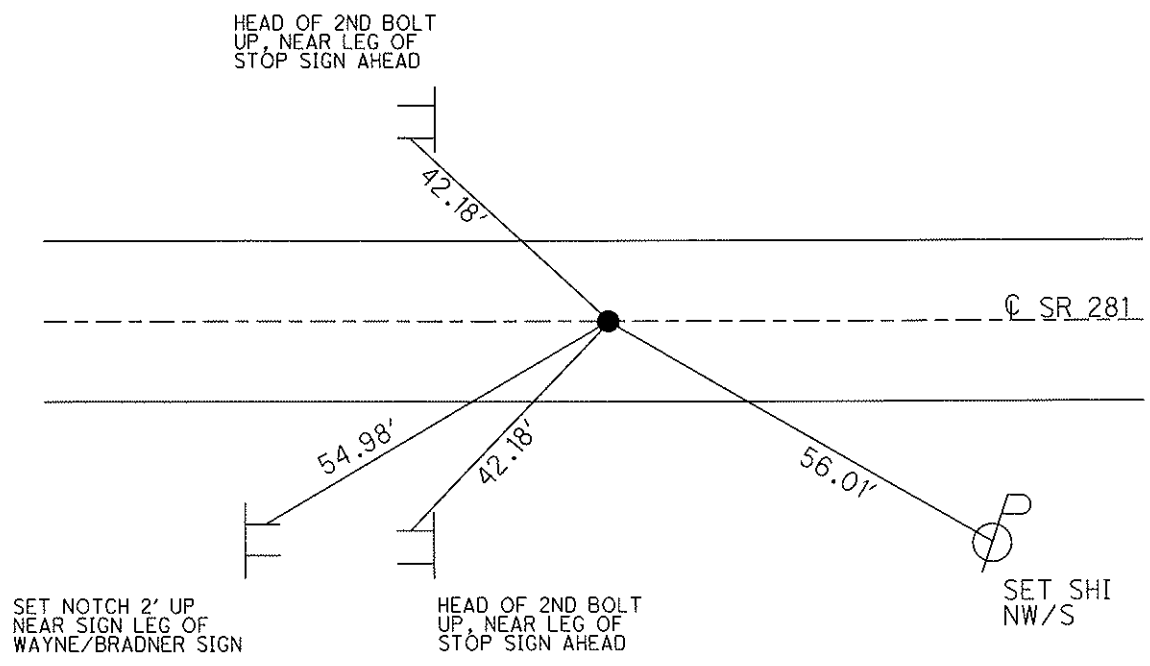
O.D.O.T. DISTRICT 2 SURVEY OFFICE (USE ONLY)

PERSONNEL	REFERENCE NO. <u>43</u>	SHEET <u>2</u> OF <u>49</u>
NOTES <u>HUSS</u>	DATE <u>3/19/12</u>	ROUTE <u>SR 281</u>
H.C. <u>CANTERBURY</u>	WEATHER <u>CLEAR</u>	COUNTY <u>WOOD</u>
R.C. <u>HUSS</u>	TEMP. <u>66°</u>	TOWNSHIP <u>MONTGOMERY</u>
		SECTION <u>29</u>
		T <u>4</u> N R <u>12</u> E

TYPE MONUMENT P.K./WASHER
~~ON SURFACE~~ - BELOW 0.15'
 LEFT - CL PAV'T - RIGHT ON
9.7' TO RT EDGE PAVEMENT
 S.L.M. 1038+05
 Grid: Northing: 590305.275 Easting: 1692072.117



SET PK/WASHER
 9/9/91, MB
 FD PK/SHANK 7/6/10
 SV 43, P.K.F. 11/2/10
 SET N/SHI 7/24/12
 FINAL GPS, REF 43
 7/30/12



O.D.O.T. DISTRICT 2 SURVEY OFFICE

PERSONNEL

REFERENCE NO. 43

SHEET OF

NOTES BAENHISEL

H.C. VAN DUSEN

R.C. KUSZ

DATE 7-18-91

WEATHER CLEAR

TEMP. +80°

ROUTE 281

COUNTY WOOD

TOWNSHIP MONTGOMERY

SECTION 29

T 4 N R 12 E

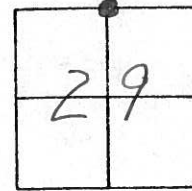
TYPE MONUMENT P.K. & Washer

ON SURFACE - ~~BELOW~~ yes

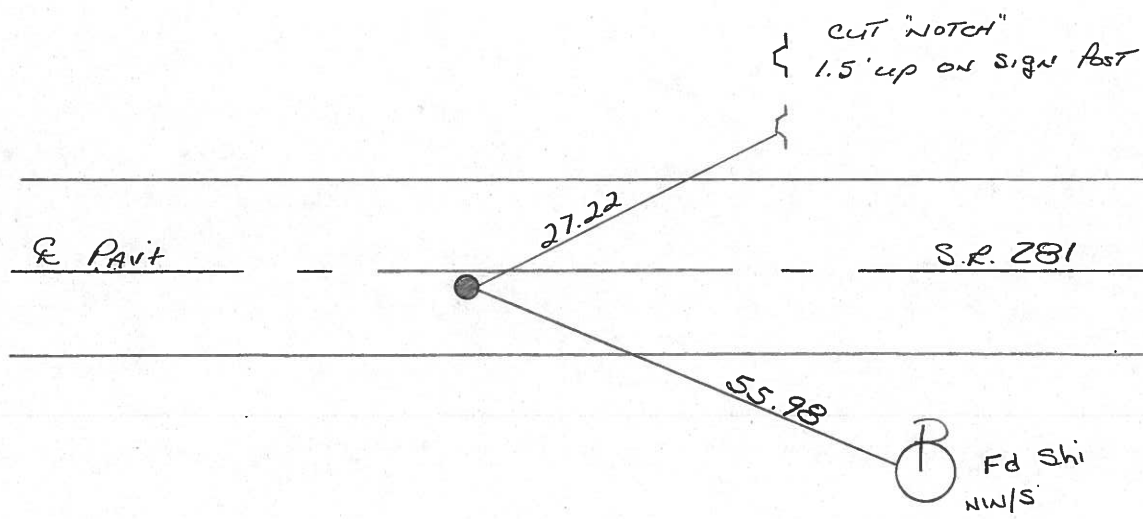
LEFT - & PAV'T. - RIGHT 0.4

10.9 TO RT EDGE PAVEMENT

S.L.M. 1038+05



Set P.K. & Washer
9-9-91
MB



ODOT DISTRICT 2 SURVEY OFFICE

SHEET _____ OF _____

County Wood S.R. 281

Date 12 - 12 - 83

Township MONTGOMERY

Weather OVERCAST

Section 29

Temp. +40°

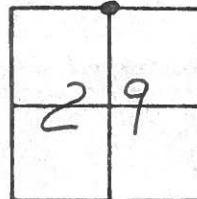
T4N, R12E

Personnel HOFFMAN

KOEHRE

BARNHISEL

#43



Fd P.P. SPK @ SURFACE

S.L.M. 1038+05

0.6' RT of & PAUT

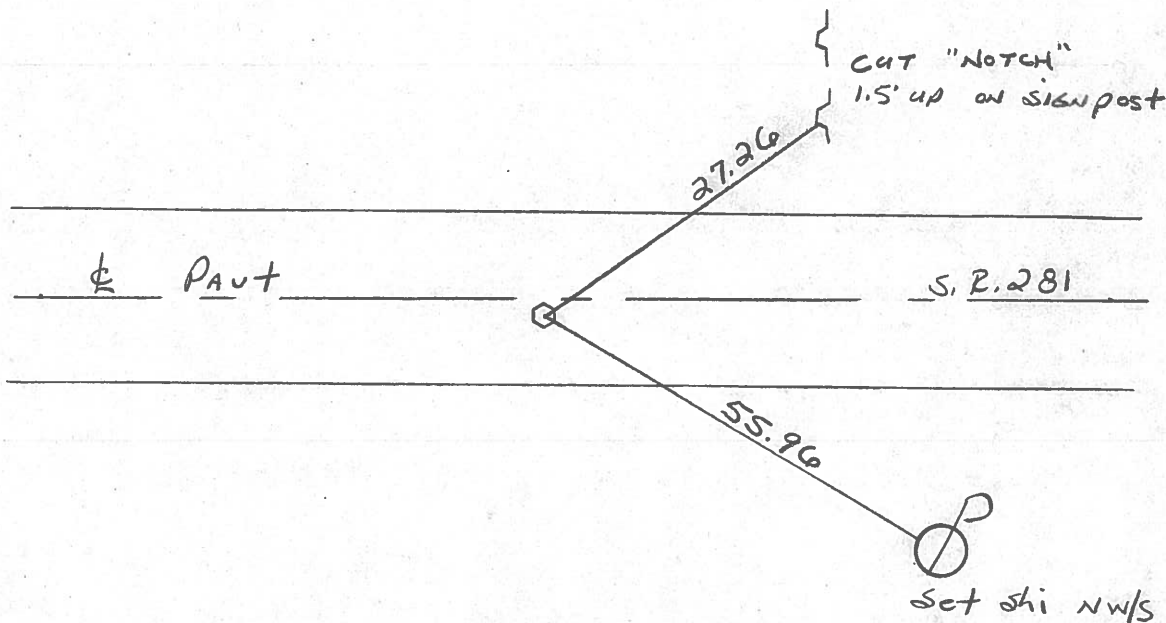
9.5' TO RT. EP

10.4' TO LT. EP

SET P.K./WASHER

8/15/84

S.W.H.



PERSONNEL	TITLE	PERSONNEL	TITLE

COUNTY WOOD DATE OK-8-11-69

S. R. #281 WEATHER _____

SEC. 29 TEMP. _____

DESCRIPTION _____ LEFT _____ CENTER LINE _____ RIGHT _____ JOB NO. _____

<p>N. 1/4 Post SEC. 29 MONTGOMERY Twp. FD. I. PIN - SET R.R. Spk.</p> <p>F102 Fd RR old surface RTCP 9.5 LTCP 10.4 0.6 RT &</p>			<p>#43</p> <p>cut hole 1.5 up</p>	<p>27.26</p>	<p>55.96</p>	<p>SHINER IN P. POLE S.E. 55.9 SHINER IN T. POLE N.W. 30.56 NEAR EDGE SIGN POST S.S.E. 18.4 NEAR EDGE SIGN POST N.N.E. 17.48 12-17-83 overcast +40°</p> <p>1038 + 05</p>
<p>N.W. COR. SEC. 29 MONTGOMERY Twp. STONE = R.R. Spk.</p> <p>DID NOT TRY TO LOCATE DO NOT WANT TO DIG good part. PORTAGE VIEW ROAD</p> <p>F181</p>			<p>#42</p>	<p>did not dig</p>		<p>SHINER IN T. POLE N. 28.9 Fd SHINER IN P. POLE S.W. 47.58 SHINER IN T. POLE SSE 71.10</p>


PERSONNEL	TITLE	PERSONNEL	TITLE

COUNTY Wood DATE OK-8-11-69

S. R. 281 WEATHER _____

SEC. 29 TEMP. _____

DESCRIPTION _____ LEFT _____ CENTER LINE _____ RIGHT _____ JOB NO. _____

DESCRIPTION	LEFT	CENTER LINE	RIGHT
<p>N. 1/4 Post SEC. 29 MONTGOMERY Twp. FO. I. P. N - SET R.R. Spk.</p> <p>#102</p>		<p>#43</p> 	<p>SHINER IN P. POLE S.E. 55.90 SHINER IN T. POLE N.W. 30.56 NEAR EDGE SIGN POST S.S.E. 18.47 NEAR EDGE SIGN POST N.N.E. 17.48</p> <div style="border: 1px solid black; padding: 5px; margin: 10px 0;"> <p>BEGIN POINT CHECK 12-83 By S.W.H.</p> </div>
<p>N.W. COR. SEC. 29 MONTGOMERY Twp. STONE - R.R. Spk.</p> <p>PORTAGE VIEW ROAD</p> <p>#181</p>		<p>#42</p>	<p>SHINER IN T. POLE N. 28.95 SHINER IN P. POLE S.W. 47.5E SHINER IN T. POLE S.S.E. 71.10</p>

PERSONNEL	TITLE	PERSONNEL	TITLE	COUNTY	DATE
				Wood	OK 12-5-57
				#281	Sworden 3-29-60
					WEATHER 8-24-62
					Maerison 11-1-62
					TEMP Sworden 2-10-64

DESCRIPTION	LEFT	CENTER LINE	RIGHT	JOB NO.
-------------	------	-------------	-------	---------

N.W. cor. Sec. 29 Montgomery Twp. Stone - R.R. spike set Portage View Road.			Shiner in T.P. N. 28.75' 1232 Shiner in Br.P. S.E. 38.6 Shiner in P.P. S.W. 47.58' 44.9 Shiner in T.P. S.E. 71.14	
(42)	#181			
N/4 post sec. 29 Montgomery Twp. Found iron pin - set small for corner			Shiner in P.P. S.E. 55.9 Shiner in T.P. N.W. 30.58 ⁵⁶ 30.8 Shiner in 24" stump S. gone 40.2 Shiner in 40" oak S. 40.2 " " old stump. S. 41.22	
(43)	#182			
Approximately .35 N.E. from Angle cor. sec. 20 T-4-N R-12-E. iron pipe set set R.R. spike			N.E. cor. house and N.W. 76.3 S.E. cor. house fdn. N.W. 72.2 N.E. to shiner in butternut tree (gone) 28.6 S. N.W. To shiner in P. Pole 57.7 N.E. To shiner int. Pole 30.3 Shiner in 12" Maple N. 76.35	
(45)	#184			
1013.83 E. of N/4 post sec. 29 T-4-N R-12-E set R.R. spike			Shiner in fence post S.E. 28. Shiner in 2nd post S. of cor. Post S.W. 78.3 Shiner in 3rd post S. of cor. post S.E. 48.6 ^{18.6}	
(44)	#183			
			Shiner in T.P. N.W. 46.77 ⁸⁰ 46. Shiner int. P. N.E. 65.70 65. Shiner in T.P. S.E. 39.9	