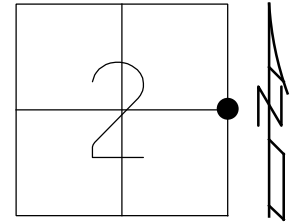


O.D.O.T. DISTRICT 2 SURVEY OFFICE (USE ONLY)

PERSONNEL _____ REFERENCE NO. 54 SHEET 48 OF 51
 NOTES MILLER DATE 6/14/23 ROUTE SR 281
 H.C. AUBLE WEATHER BREEZY COUNTY WOOD
 R.C. NIESE TEMP. 57° TOWNSHIP MONTGOMERY
 BEJARANO SECTION 2
 DWG BY RHOADES PID CHIP SEAL T 4 N R 12 E

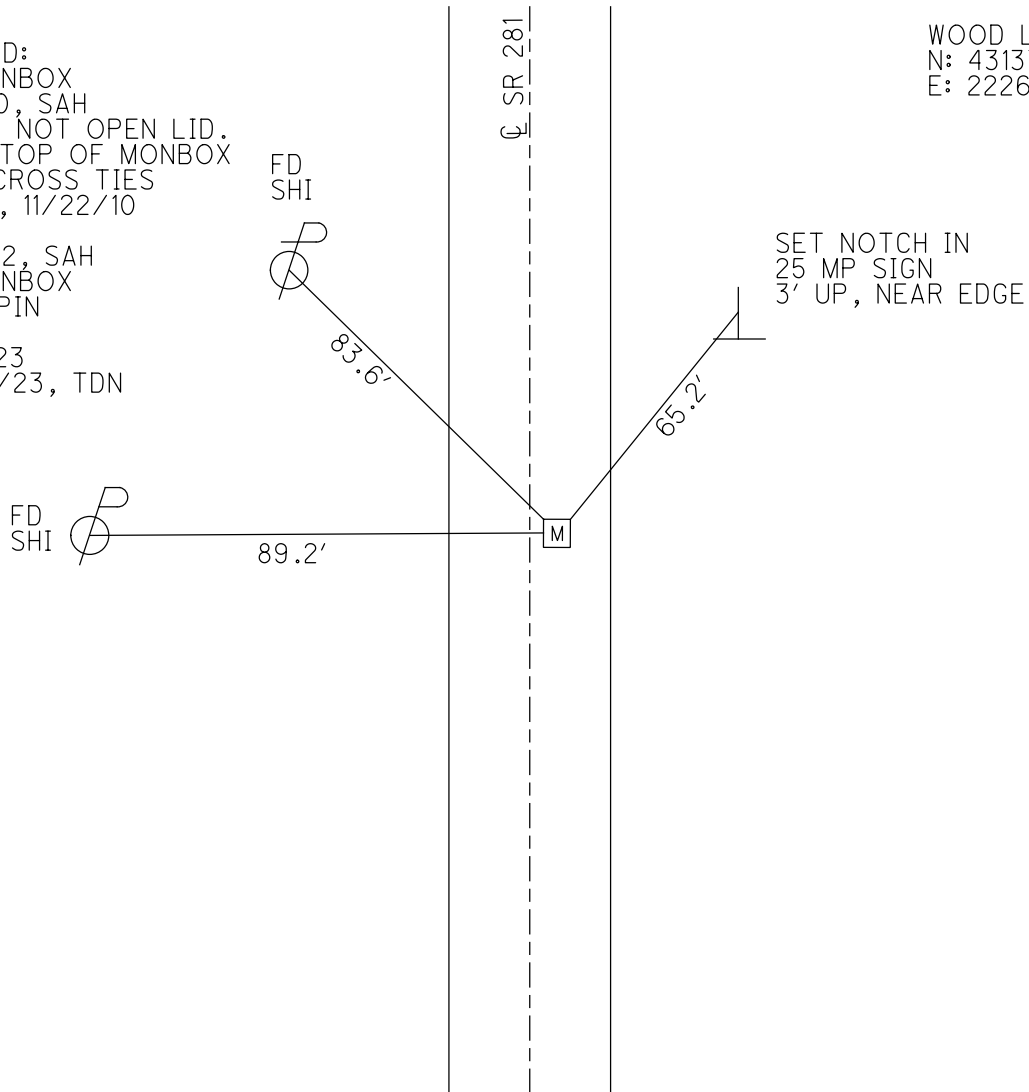
TYPE MONUMENT MONBOX W/1" IPIN
 ON SURFACE - ~~BELOW~~ ON
 OFFSET ☉ PAVEMENT 3.3' ~~±~~ : RT
8.1' TO RT EDGE PAVEMENT
 STATION: 1321+08



HORZ. DATUM: NAD83 2011 GEOID: NAVD88 2018
 GRID: NORTHING: 608757.851 EASTING: 1711247.766

RECORD:
 FD MONBOX
 8/9/10, SAH
 COULD NOT OPEN LID.
 SHOT TOP OF MONBOX
 WITH CROSS TIES
 REF54, 11/22/10
 REF54
 7/31/12, SAH
 FD MONBOX
 W/1" IPIN
 REF54
 6/14/23
 10/20/23, TDN

WOOD LPD:
 N: 431376.409
 E: 222604.788



O.D.O.T. DISTRICT 2 SURVEY OFFICE (USE ONLY)

PERSONNEL

REFERENCE NO. 54

SHEET 46 OF 49

NOTES HUSS

DATE 4/2/12

ROUTE SR 281

H.C. CANTERBURY

WEATHER CLOUDY

COUNTY WOOD

R.C. HARBAUGH

TEMP. 59°

TOWNSHIP MONTGOMERY

SECTION 2

T 4 N R 12 E

TYPE MONUMENT MONBOX, NOTCHED RIM

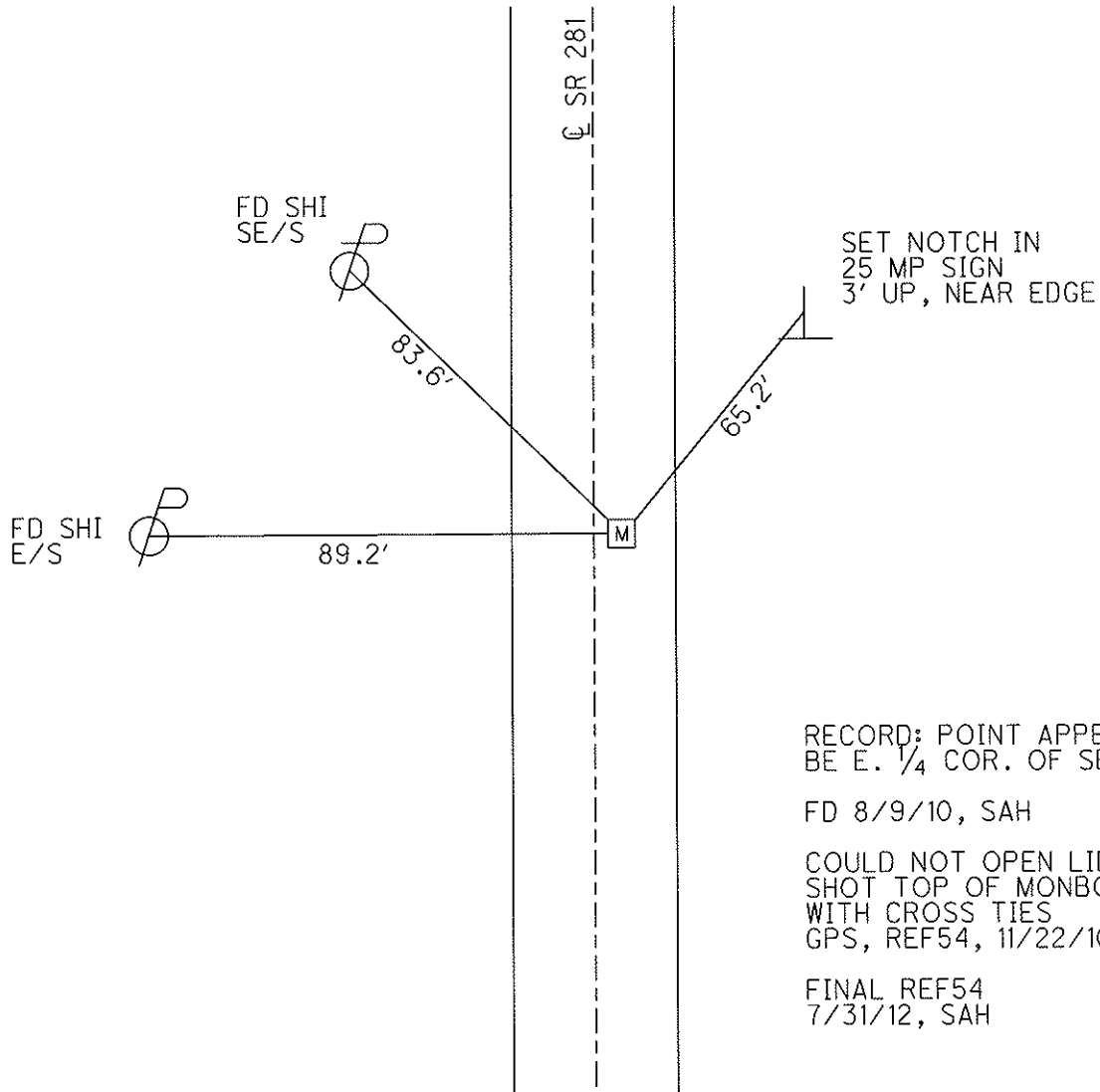
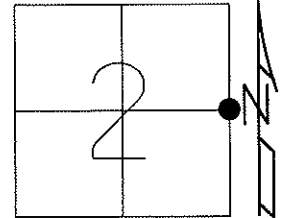
ON SURFACE - ~~BELOW~~ ON

~~LEFT~~ - CL PAV'T - RIGHT 3.3'

8.1' TO RT EDGE PAVEMENT

S.L.M. 1321+08

Grid: Northing: 608757.798 Easting: 1711247.832



RECORD: POINT APPEARS TO BE E. 1/4 COR. OF SEC. 2

FD 8/9/10, SAH

COULD NOT OPEN LID.
SHOT TOP OF MONBOX
WITH CROSS TIES
GPS, REF54, 11/22/10

FINAL REF54
7/31/12, SAH

O.D.O.T. DISTRICT 2 SURVEY OFFICE

PERSONNEL

REFERENCE NO. 54

SHEET _____ OF _____

NOTES LOEHRKE

H.C. Van Dusen

R.C. Kusz

BARNHISEL

DATE 7-30-91

WEATHER Clear

TEMP. +80°

ROUTE S.R. 281

COUNTY WOOD

TOWNSHIP MONTGOMERY

SECTION 2

T4 NR 12 E

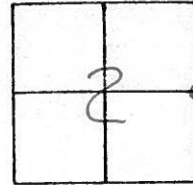
TYPE MONUMENT Mon. Box w/NOTCHED RIM

ON SURFACE - BELOW yes

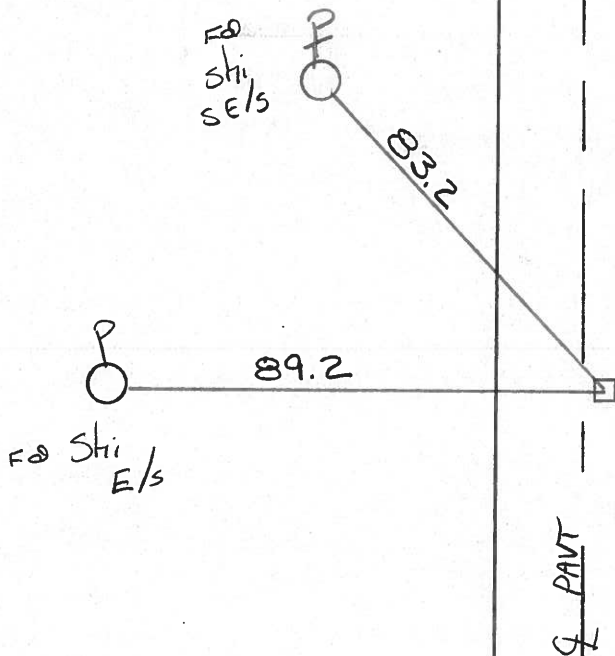
LEFT- & PAV'T. - RIGHT 3.3

10.3 TO RT EDGE PAVEMENT

S.L.M. 1321+08



Point Appears to Be ^{2nd CORNER}
E 1/4 CORNER OF SEC. 2



ODOT. DISTRICT 2 SURVEY OFFICE

SHEET _____ OF _____

County WOOD S.R. 281

Date 1-18-84

Township MONTGOMERY

Weather SNOW

Section 2

Temp. 15°

T4N, R2E

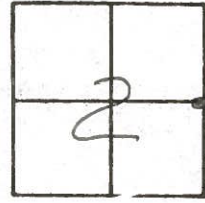
Personnel HOFFMAN

LOENRKE

HOUSEHOLDER R.C.

BARNHISEL H.C.

54



Fd MON BOX @ SURFACE WITH NOTCHES
ON RIM. REF. TO "4" ON TOP
3' RT & PAUT

SLM = 1321+07

POINT APPEARS TO BE
EAST 1/4 COR of Sec. 2

