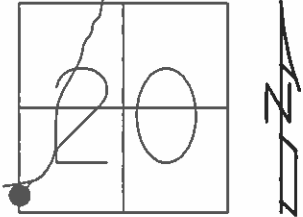


O.D.O.T. DISTRICT 2 SURVEY OFFICE (USE ONLY)

PERSONNEL	REFERENCE NO.	<u>2</u>	SHEET	<u>2</u>	OF	<u>25</u>
NOTES	RHOADES	DATE	<u>4/8/14</u>	ROUTE	<u>SR 582</u>	
H.C.	<u>ROUSOS</u>	WEATHER	<u>FAIR</u>	COUNTY	<u>WOOD</u>	
R.C.	<u>RHOADES</u>	TEMP.	<u>44°</u>	TOWNSHIP	<u>MIDDLETON</u>	
-----	-----	-----	-----	SECTION	<u>20</u>	
-----	-----	-----	-----	T	<u>6</u>	R
-----	-----	-----	-----	E	<u>10</u>	E

TYPE MONUMENT 1" IRON PIPE
~~ON SURFACE~~ - BELOW 4", BENT TO NORTH
 LEFT - Q PAV'T - ~~RIGHT~~ 20'
13.0' TO LT EDGE PAVEMENT
 S.L.M. 4+34

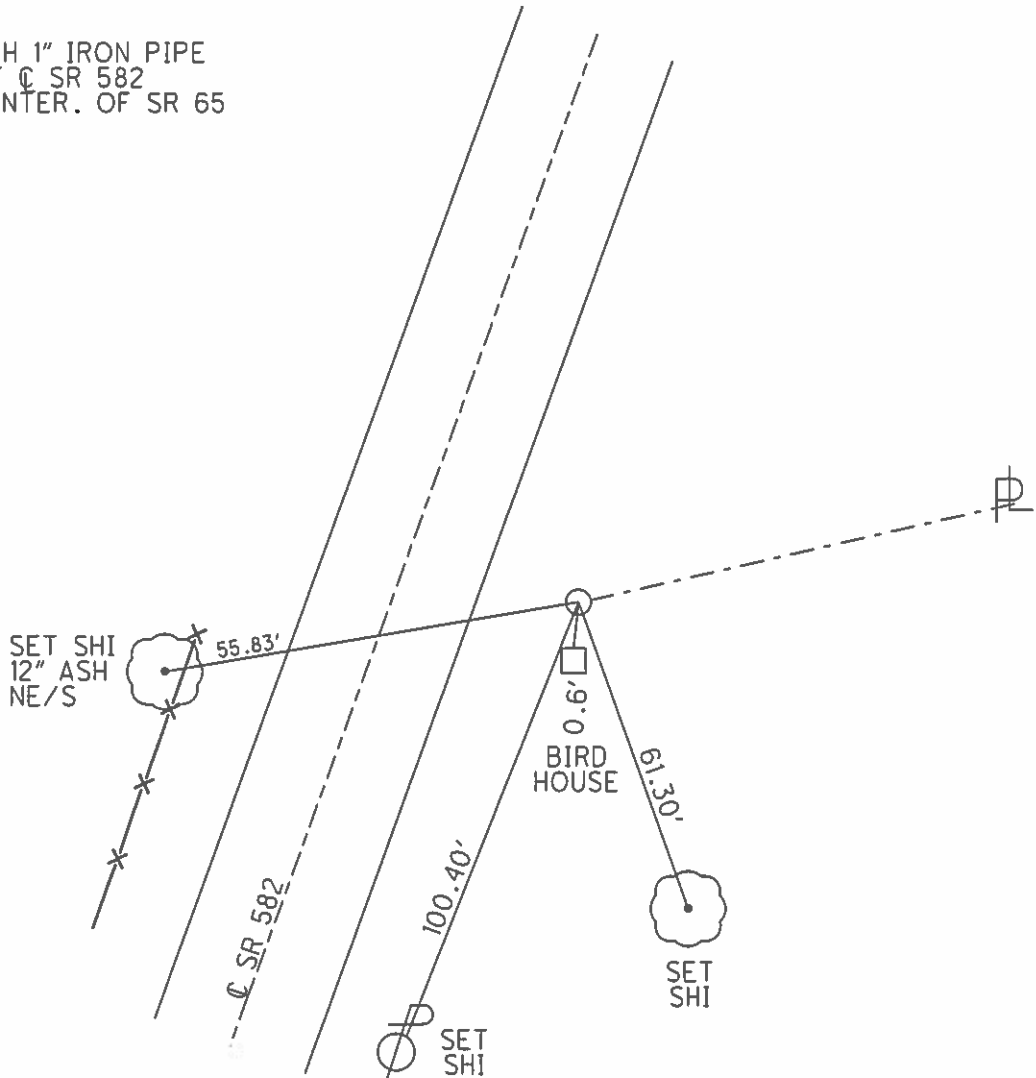


Grid: Northing: 656735.960 Easting: 1626786.944

RECORD:
 FD STONE WITH 1" IRON PIPE
 21' ± EAST OF Q SR 582
 433' ± S. OF INTER. OF SR 65

GPS, REF2
 4/8/14, TMR

NOT COVERED
 7/25/14, EBW



O.D.O.T. DISTRICT 2 SURVEY OFFICE

PERSONNEL

REFERENCE NO. 2

SHEET OF

NOTES BARNHISEL

H.C. Hoffman

R.C. Loehrke

GRAMZA

DATE 3-26-86

WEATHER cloudy

TEMP. +45°

ROUTE 582

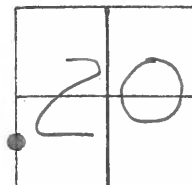
COUNTY Wood

TOWNSHIP Middleton

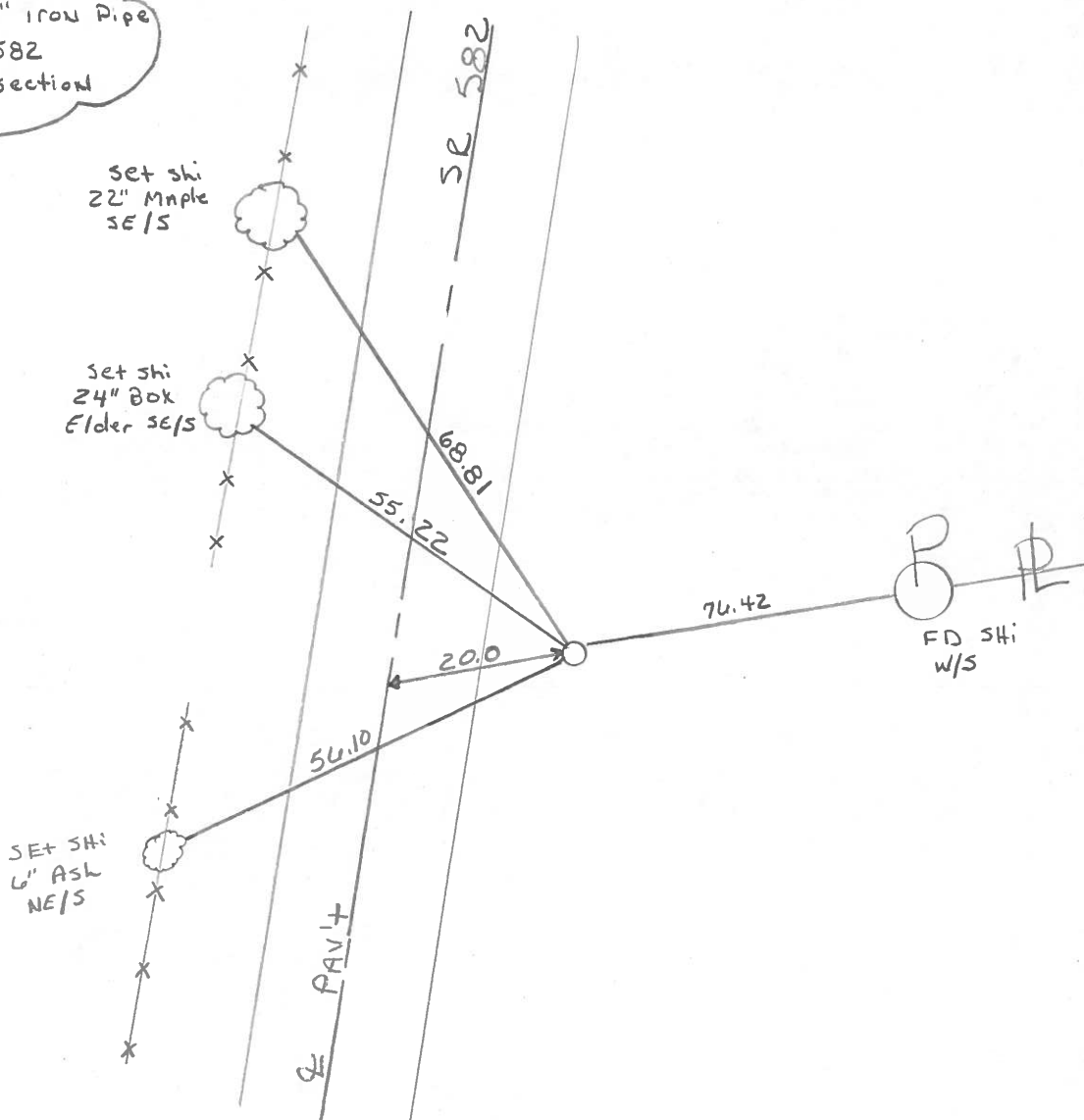
SECTION 20

T6 N R 10 E

TYPE MONUMENT 1" IRON PIPE
 ON SURFACE - BELOW 4" Bent to North
 LEFT- & PAV'T. - RIGHT 20.0
13.0 TO Lt EDGE PAVEMENT
 S.L.M. 4+34



Record
 Fed Stone with 1" Iron Pipe
 21' ± East of & 582
 433' ± S of Intersection
 SR 45



County Wood S.R. 582

Date 5-10-1979

Township Middleton

Weather Partly Cloudy

Section 20

Temp. 82°

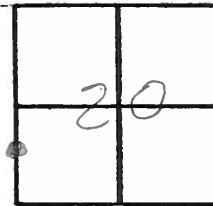
T6N, R10E

Personnel Smith

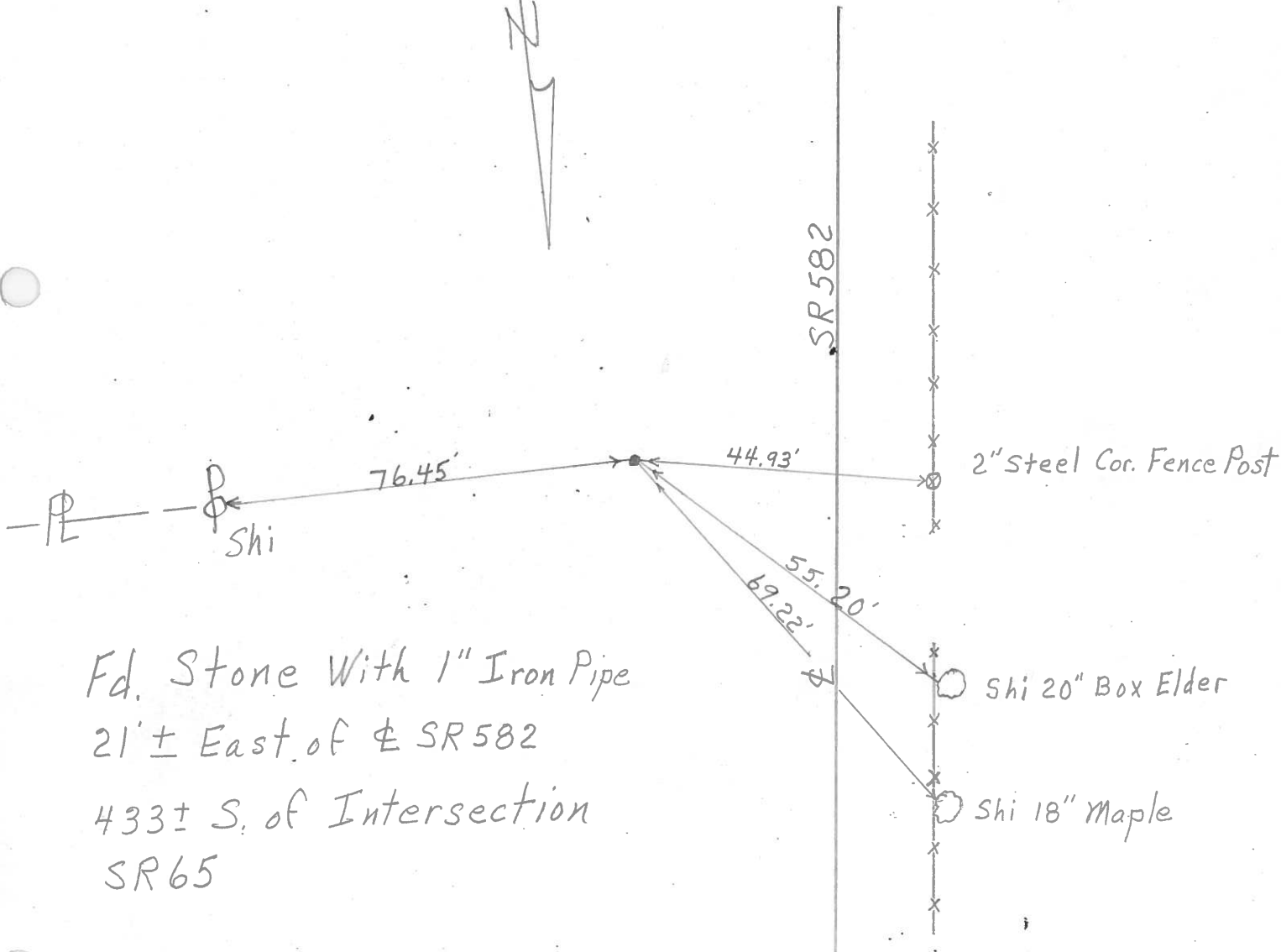
Knape

Bowers

Mead



②

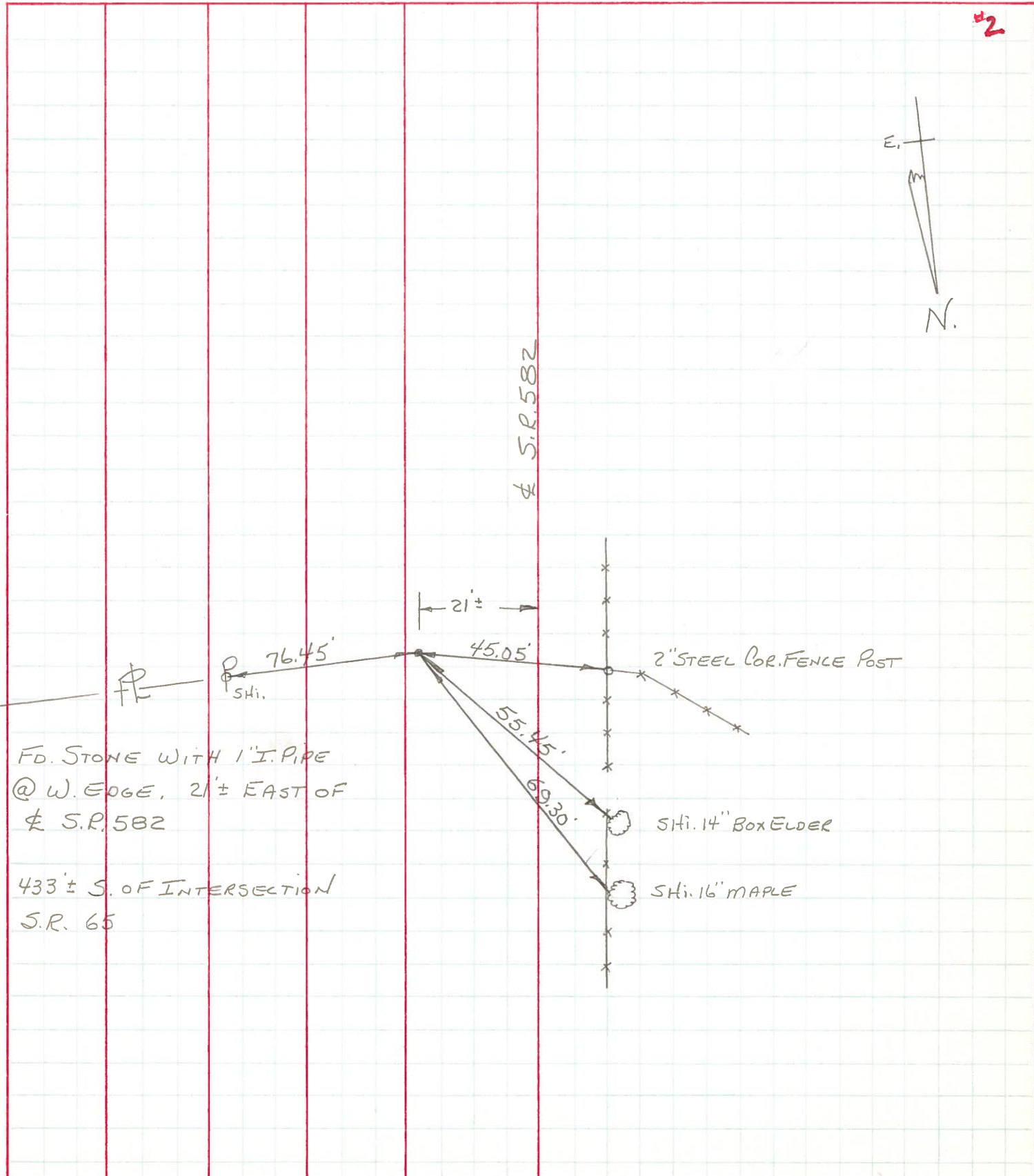


Fd. Stone With 1" Iron Pipe
 21± East of ⊥ SR 582
 433± S. of Intersection
 SR 65

PERSONNEL	TITLE	PERSONNEL	TITLE
BURNSIDE			
SMITH			
BOWERS			
HOLCOMBE			

COUNTY WOOD DATE 5-25-71
 S. R. 582 WEATHER LT. Rain
 SEC. _____ TEMP. +60°

DESCRIPTION _____ LEFT _____ CENTER LINE _____ RIGHT _____ JOB NO. _____



FD. STONE WITH 1" I. PIPE
 @ W. EDGE, 21'± EAST OF
 & S.R. 582
 433'± S. OF INTERSECTION
 S.R. 65

2" STEEL COR. FENCE POST

SHi. 14" BOX ELDER

SHi. 16" MAPLE



PERSONNEL TITLE PERSONNEL TITLE

COUNTY Wood

DATE 12-27-57
Sworden 4-4-60

S. R. #582

WEATHER

SEC. A, B, C, D

TEMP.

DESCRIPTION

LEFT

CENTER LINE

RIGHT

JOB NO.

433'S. of intersection of
S.H. 984 & S.H. 53.
Stone man. 25.7' E. of
center of road.

2

#431

O.K.

Shiner in 30" Elm
Steel Cor. post
Shiner in cor. post
(New) Shiner in P.P.

S. 6.9'
W. 44.97'
E. 21.2'
E. 76.59'

Stone 3' of 2" pipe on top.
S.R. 582 & Tontogany Ck. Rd.

3

#432

O.K.

Conc. marker N. & 1.0'
S.W. Cor. S.W. Wing
S. Cor. E. end N. Hdwl.
Cor. of N. conc. wall E. of N.
Shiner P. Pole

W. 23.30'
S.E. 23.57'
N.E. 31.25'
E. 32.60'
W. 28.25'

Steel rod set at S. edge of
E. & W. pav't.
Frost Rd.

#434

O.K.

Telephone Pole
Shiner in P.P.
Brace pole
P.P.

S of E. 10.57'
N.W. 34.45'
W. of South 27.8'
N.E. 79.80'

S.R. #582 & Green Rd.
Fd. Iron Pin
Co. 1963 - Set R.R. Spk.

#435

S.E. To N.W. Cor. E. Wing 13.08'
S.W. To N.E. Cor. N. Wing 14.00'
Shiner 24" Elm N.S.W. 80.64'
Shiner in Tele Pole E.S.E. 80.55'
N.W. Cor. E. Conc. Hdwl. S.E. 18.04
N.E. Cor. W. " " S.W. 11.36
1.5' N. of S. edge Pav't.

#436

on back of page