

O.D.O.T. DISTRICT 2 SURVEY OFFICE

PERSONNEL \_\_\_\_\_

REFERENCE NO. 18

SHEET 20 OF 25

NOTES CANTERBURY

DATE 4/26/04

ROUTE SR 582

H.C. BARNHISEL

WEATHER FAIR

COUNTY WOOD

R.C. CANTERBURY

TEMP. 60°

TOWNSHIP MIDDLETON

SECTION 30

T 6 N R 11 E

TYPE MONUMENT MON. BOX W/IRON PIN

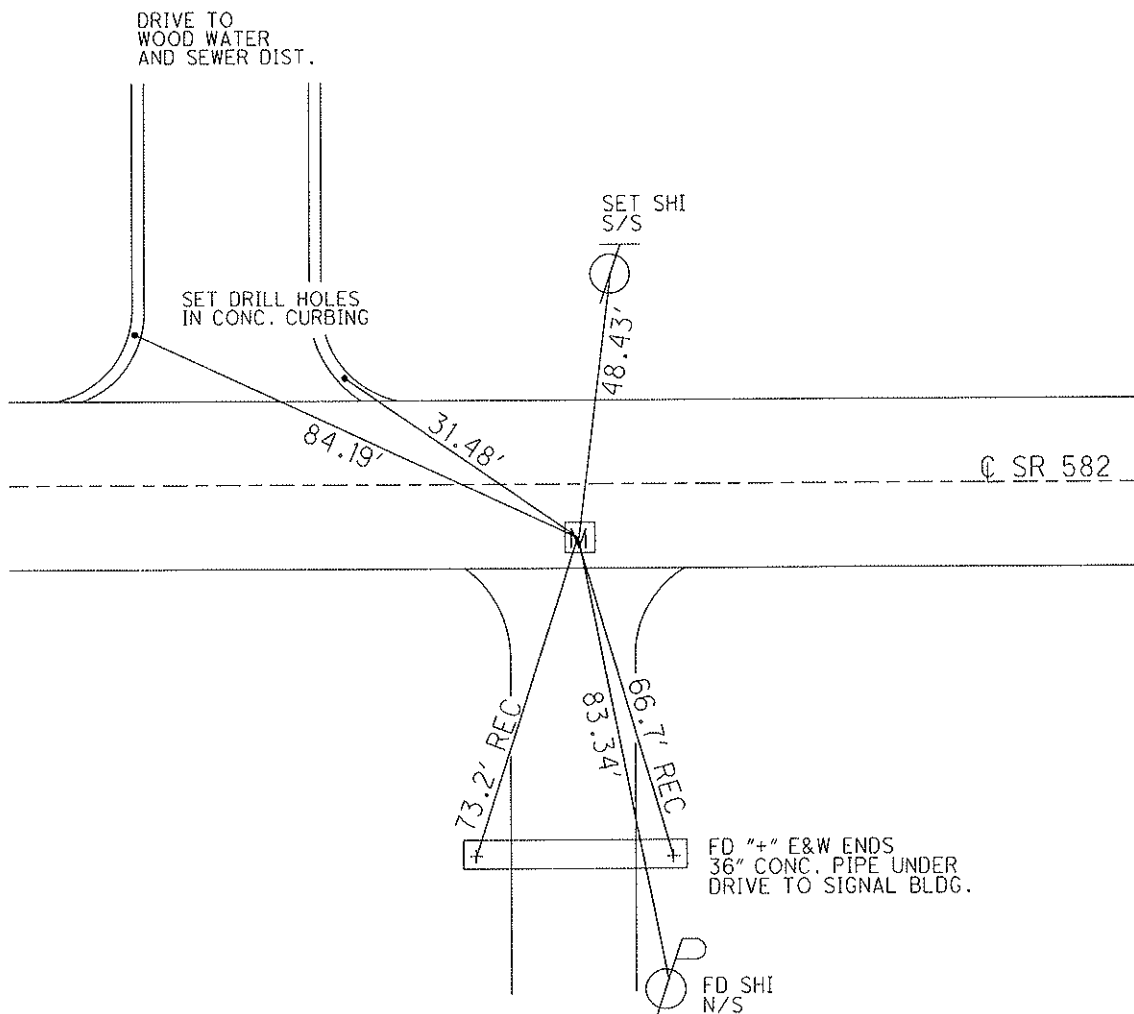
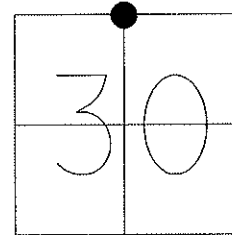
ON SURFACE - ~~BELOW~~ ON

~~LEFT~~ - CL PAV'T - RIGHT 7.5'

4.7' TO RT EDGE PAVEMENT

S.L.M. 315+35

Grid: Northing: \_\_\_\_\_ Easting: \_\_\_\_\_



FD "+" E&W ENDS  
36" CONC. PIPE UNDER  
DRIVE TO SIGNAL BLDG.

FD SHI  
N/S

# O.D.O.T. DISTRICT 2 SURVEY OFFICE

PERSONNEL \_\_\_\_\_

REFERENCE NO. 18

SHEET 18 OF 23

NOTES CANTERBURY

H.C. BARNHISEL

R.C. CANTERBURY

DATE 4-26-04

WEATHER FAIR

TEMP. + 60°

ROUTE S.R. 582

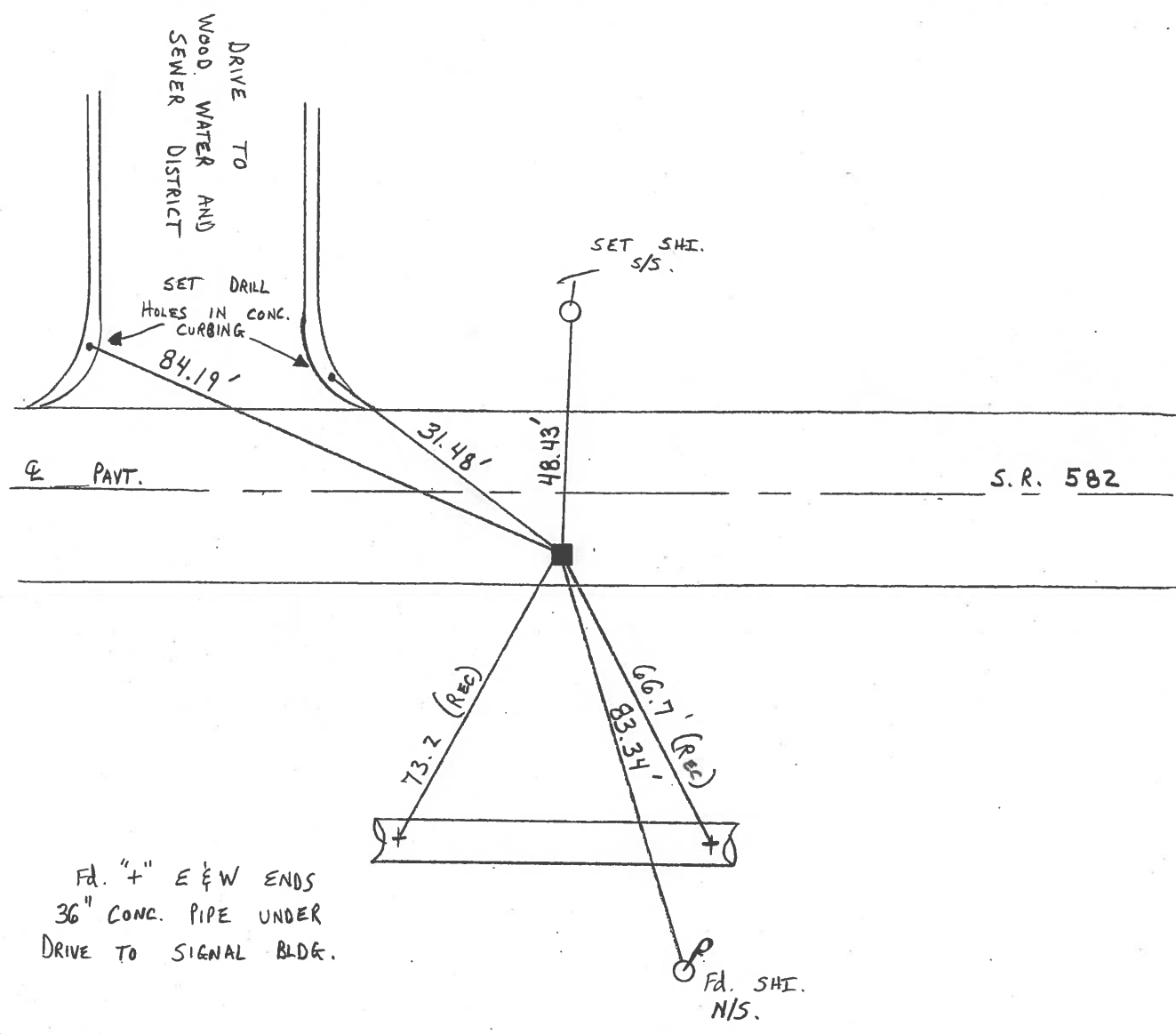
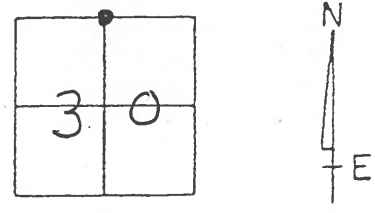
COUNTY Wood

TOWNSHIP MIDDLETON

SECTION 30

T 6 N R 11 E

TYPE MONUMENT Mon. Box w/I-PIN  
 ON SURFACE - ~~BELOW~~ SURFACE  
~~LEFT - & PAV'T. - RIGHT~~ 7.5' RT.  
4.7' TO RT. EDGE PAVEMENT  
 S.L.M. 315 + 35



# O.D.O.T. DISTRICT 2 SURVEY OFFICE

PERSONNEL

REFERENCE NO. 18

SHEET 1 OF 6

NOTES CHENEY

H.C. BARBOUR

DATE 11-1-1991

ROUTE 582

R.C. GEYMAN

WEATHER CLOUDY

COUNTY WOOD

TEMP. 60°

TOWNSHIP MIDDLETON

SECTION 30

T 6 N R 11 E

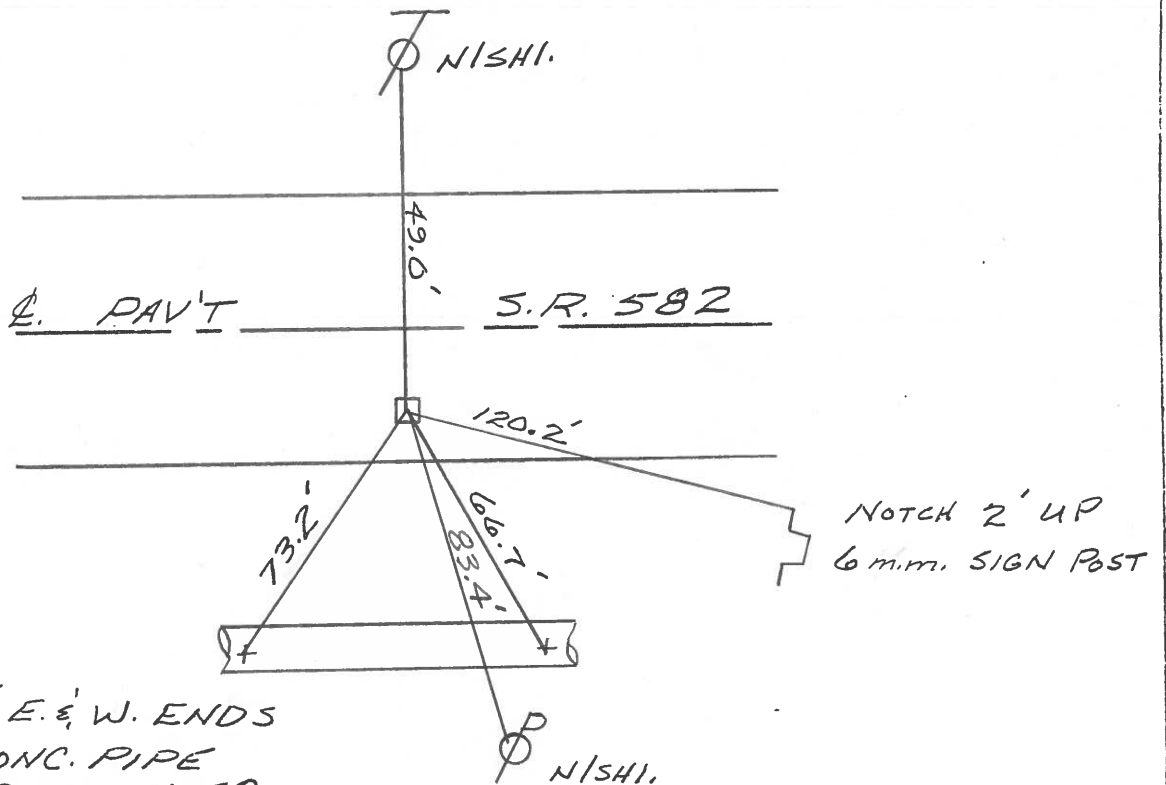
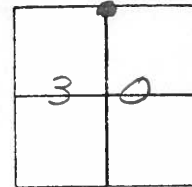
TYPE MONUMENT MONUMENT BOX

ON SURFACE - ~~BELOW~~

~~LEFT~~ - & PAV'T. - RIGHT 7'

5' TO 5' EDGE PAVEMENT

S.L.M. 315 + 35



NOTCH 2' UP  
6 mm. SIGN POST

FD. 4" E. & W. ENDS  
36" CONC. PIPE  
UNDER DRIVE TO  
SIGNAL BUILDING.

County Wood S.R. 582

Township MIDDLETON

Section 30

T6N, R11E

Personnel HOFFMAN

Loehrke

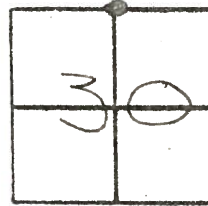
Householder

# 18

Date 5-6-82

Weather clear Windy

Temp. +70°



Fd. Max. Box / 7" on top

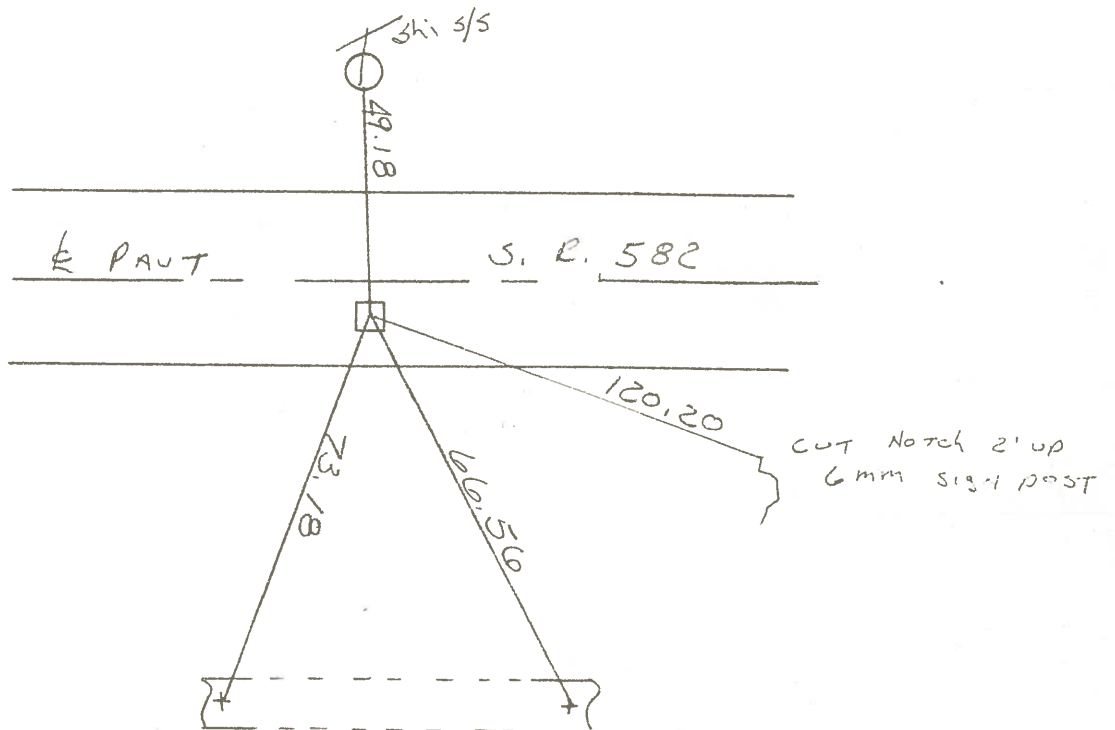
S L M Sta ± 315+35

6.7' RT of & PAUT

18.4' TO N.E.P.

5.3' TO S.E.P.

*Raised By Contractor*



"+" TOP E & W ENDS  
36" CONC PIPE UNDER  
DRIVE TO FAH SIGNAL  
Building.

County Wood S.R. 582

Date 5-6-82

Township MIDDLETON

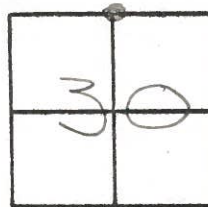
Weather clear Windy

Section 30

Temp. +70°

T6N, R11E

Personnel HOFFMAN



Loehrke

Householder

# 18

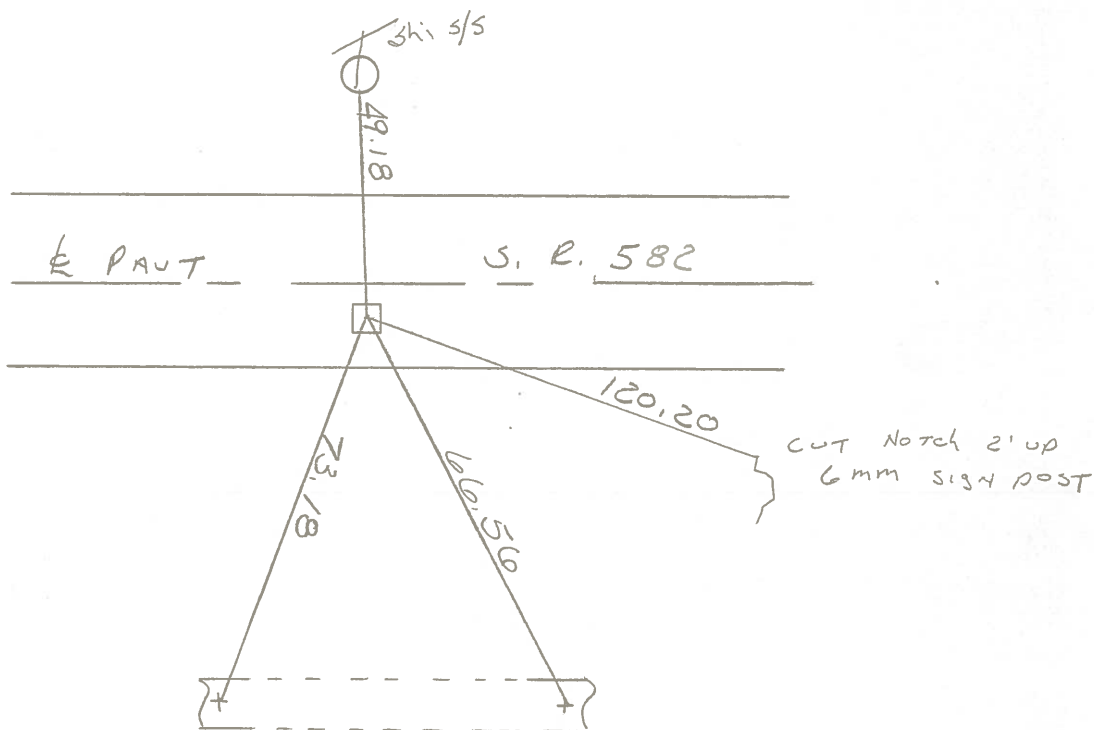
Fd. Max. Box / "+" on top

SLM Sta ± 315+35

6.7' RT of & PAUT

18.4' TO N.E.P.

5.3' TO S.E.P.



"+" TOP E & W ENDS  
36" CONC PIPE UNDER  
DRIVE TO FAA SIGNAL  
Building.

PERSONNEL TITLE PERSONNEL TITLE

COUNTY Wood DATE April 16, 1900

S. R. 559 WEATHER Clear

SEC. \_\_\_\_\_ TEMP. 70°

DESCRIPTION Ties to Central Bands JOB NO. \_\_\_\_\_

LEFT CENTER LINE RIGHT

