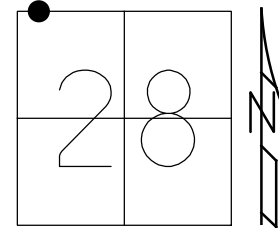


O.D.O.T. DISTRICT 2 SURVEY OFFICE (USE ONLY)

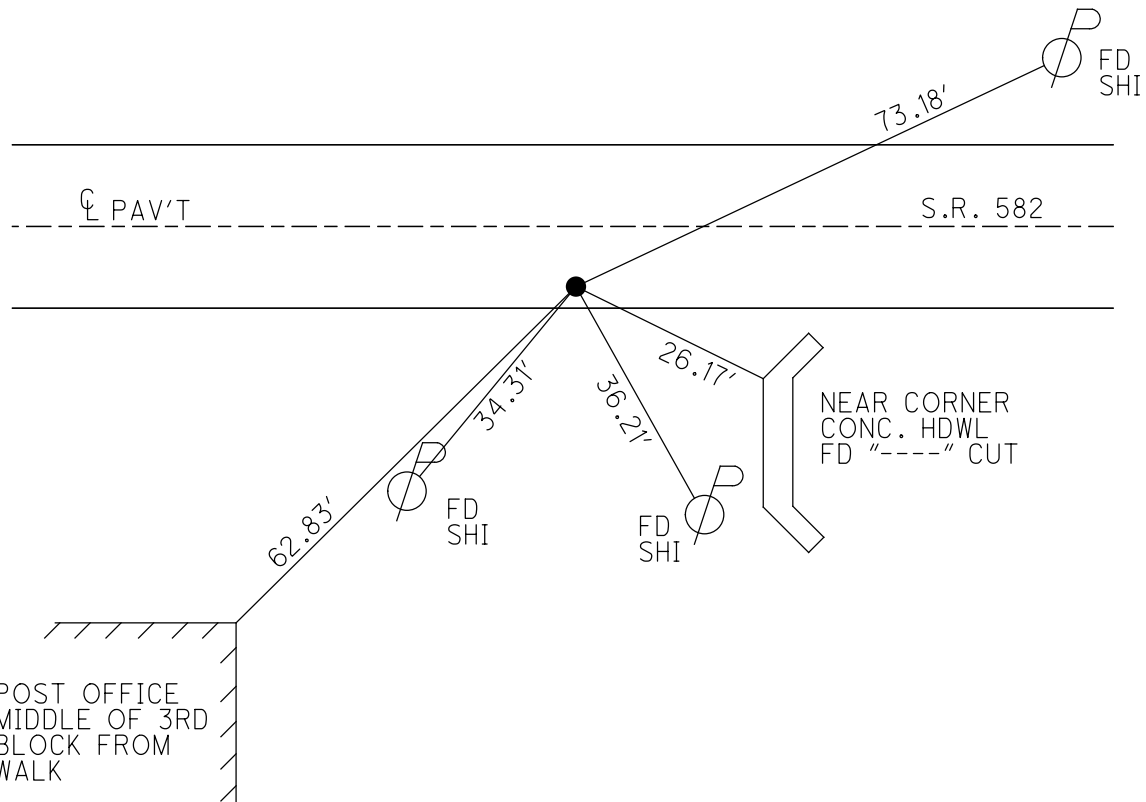
PERSONNEL _____ REFERENCE NO. 24 SHEET 1 OF 21
 NOTES JAMES DATE 4/23/19 ROUTE SR 582
 H.C. LEU WEATHER WINDY COUNTY WOOD
 R.C. JAMES TEMP. 67° TOWNSHIP MIDDLETON
 DWG BY BALBAUGH PID 81000 SECTION 28
 T 6 N R 11 E

TYPE MONUMENT MAG NAIL
 ON SURFACE - ~~BELOW~~ ON
 OFFSET C PAVEMENT 8.8' ~~RT~~ : RT
0.8' TO RT EDGE PAVEMENT
 STATION: 398+30.01



HORZ. DATUM: NAD83 (2011) GEOID: 2012A
 GRID: NORTHING: 654471.348 EASTING: 1664657.649

RECORD:
 FD P.K./WASHER
 4/14/05, MC
 SET MAG/WASHER
 8/23/05, MDB
 FD MAG/WASHER
 REF24
 4/14/15, JLL
 SET MAG/WASHER
 4/8/20, JLL



O.D.O.T. DISTRICT 2 SURVEY OFFICE

PERSONNEL

REFERENCE NO. 24

SHEET 1 OF 20

NOTES BARNHISEL

DATE 04/15/05

ROUTE S.R. 582

H.C. CANTERBURY

WEATHER CLEAR

COUNTY WOOD

R.C. BARNHISEL

TEMP. +45°

TOWNSHIP MIDDLETON

SECTION 28

T 6 N R 11 E

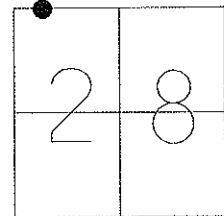
TYPE MONUMENT PK NAIL/WASHER

ON SURFACE - ~~BELOW~~ YES

~~LEFT~~ Q PAV'T - RIGHT 8.8'

0.8' TO RT EDGE PAVEMENT

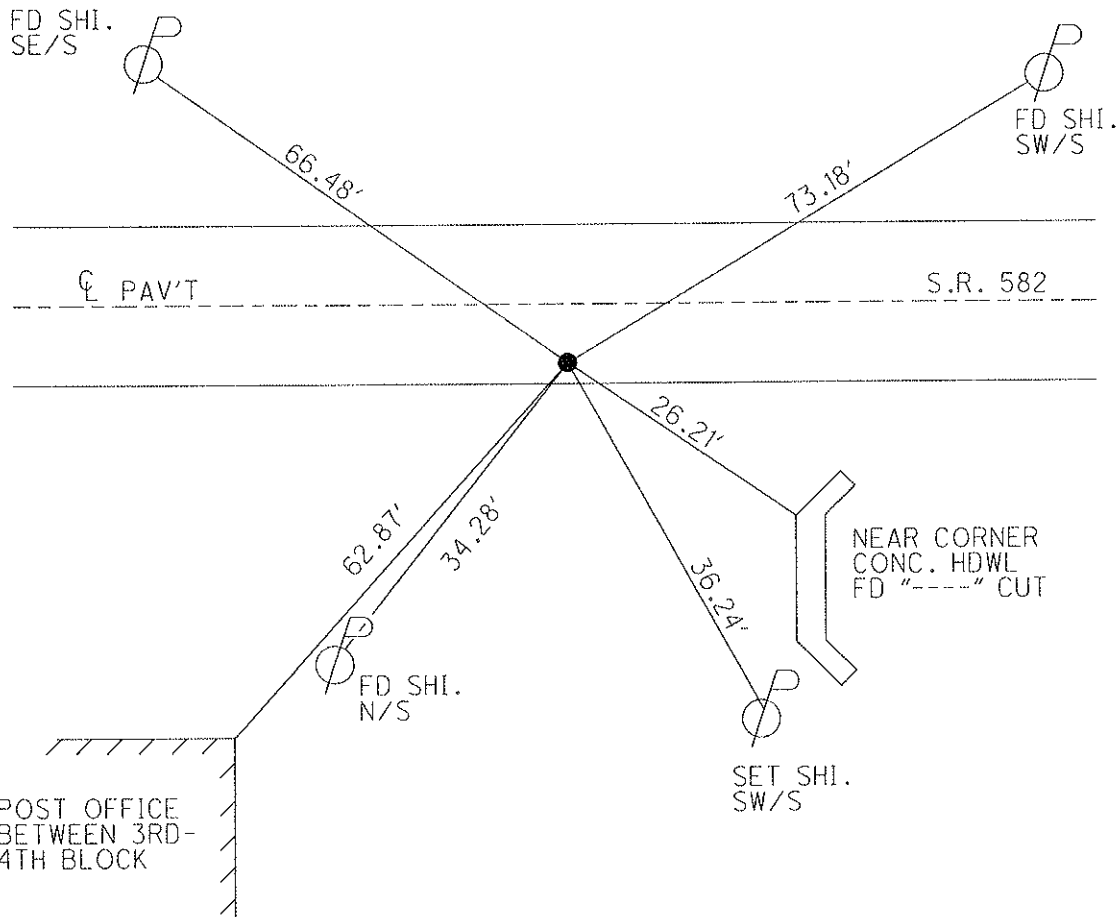
S.L.M. 398+39



GRID: NORTHING:

EASTING:

RESET MAG NAIL & WASHER
08/23/05
MDB



O.D.O.T. DISTRICT 2 SURVEY OFFICE

PERSONNEL

REFERENCE NO. 24

SHEET 1 OF 21

NOTES BARNHISEL

DATE 04/15/05

ROUTE S.R. 582

H.C. CANTERBURY

WEATHER CLEAR

COUNTY WOOD

R.C. BARNHISEL

TEMP. +45°

TOWNSHIP MIDDLETON

SECTION 28

T 6 N R 11 E

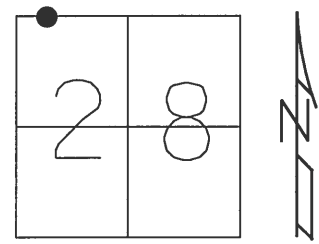
TYPE MONUMENT PK NAIL/WASHER

ON SURFACE ~~-BELOW~~ YES

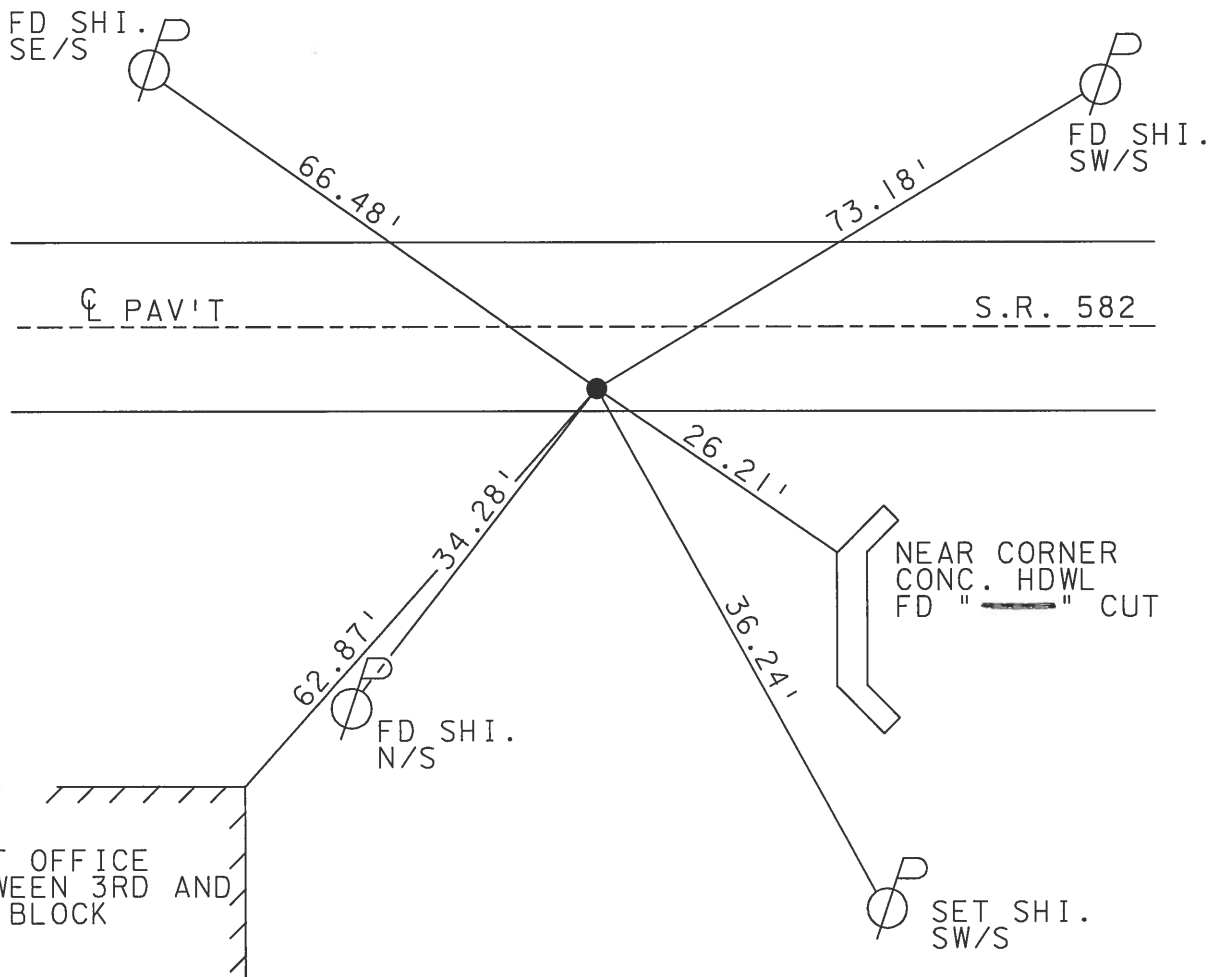
~~LEFT~~ - CL PAV'T - RIGHT 8.8'

0.8' TO RT EDGE PAVEMENT

S.L.M. 398+39



RESET MAG NAIL & WASHER
08/23/05
MDB



Resurfaced 2005

O.D.O.T. DISTRICT 2 SURVEY OFFICE

PERSONNEL

REFERENCE NO. 24

SHEET _____ OF _____

NOTES LOERKE

H.C. HOFFMAN

DATE 7-12-90

ROUTE S.R. 582

R.C. STEINHAUSER

WEATHER cloudy

COUNTY WOOD

BARNHISEL

TEMP. +65°

TOWNSHIP MIDDLETON

SECTION 28

T. 6 N. R. 11 E.

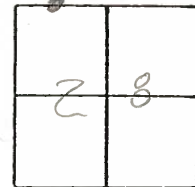
TYPE MONUMENT P.K. Nail

ON SURFACE - BELOW Yes

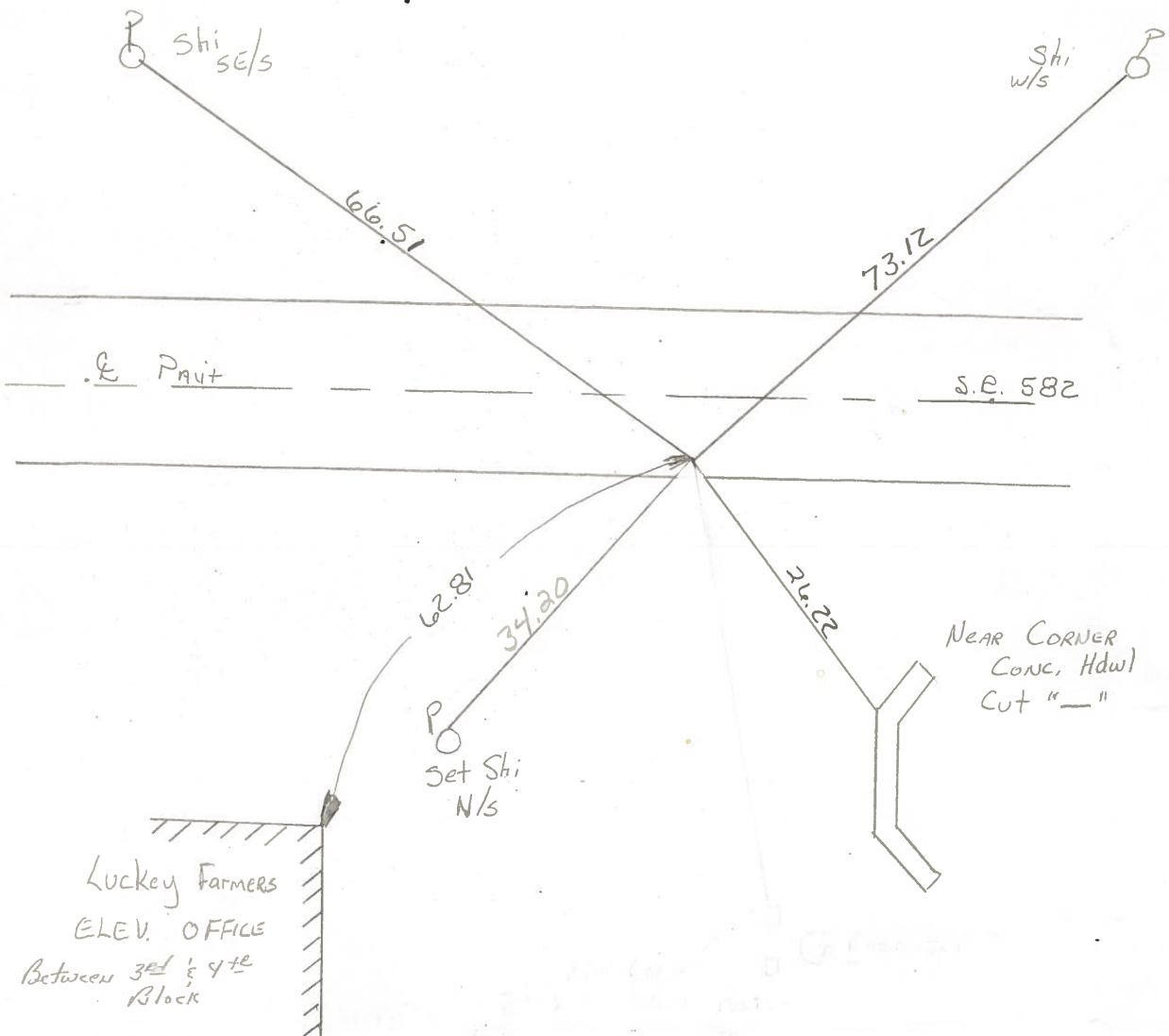
LEFT - CL PAV'T. - RIGHT 8.8

0.8 TO Rt EDGE PAVEMENT

S.L.M. 398 +39



SET P.K. / Washer
10-25-90
MB



County Wood S.R. 582

Date 13 July 83

Township Middleton

Weather Warm

Section 28

Temp. 85

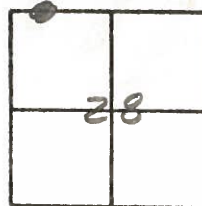
T N, R E

Personnel I. Stone

P. Neuser

R. Michalak

D. Curtis



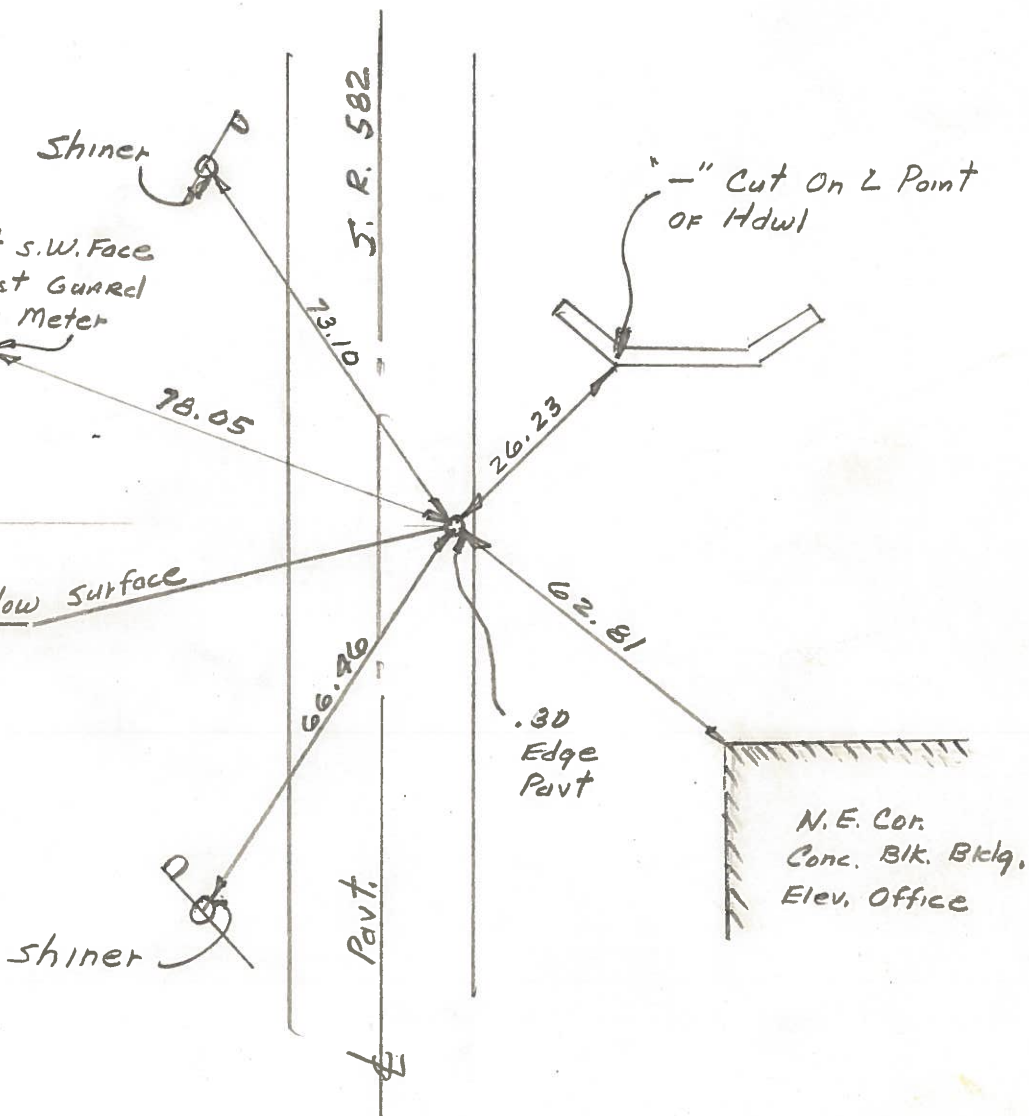
24



Sta. 398 + 59

Fd. P.K. Nail 1/2" Below surface

P.K. nail to surface



OD.O.T. DISTRICT 2 SURVEY OFFICE

SHEET _____ OF _____

County Wood S.R. 582

Date 5-6-82

Township MIDDLETON

Weather clear - windy

Section 28

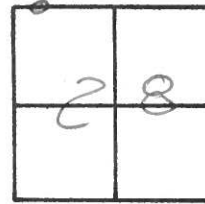
Temp. +75°

T6N, R11E

Personnel HOFFMAN

F

Crew

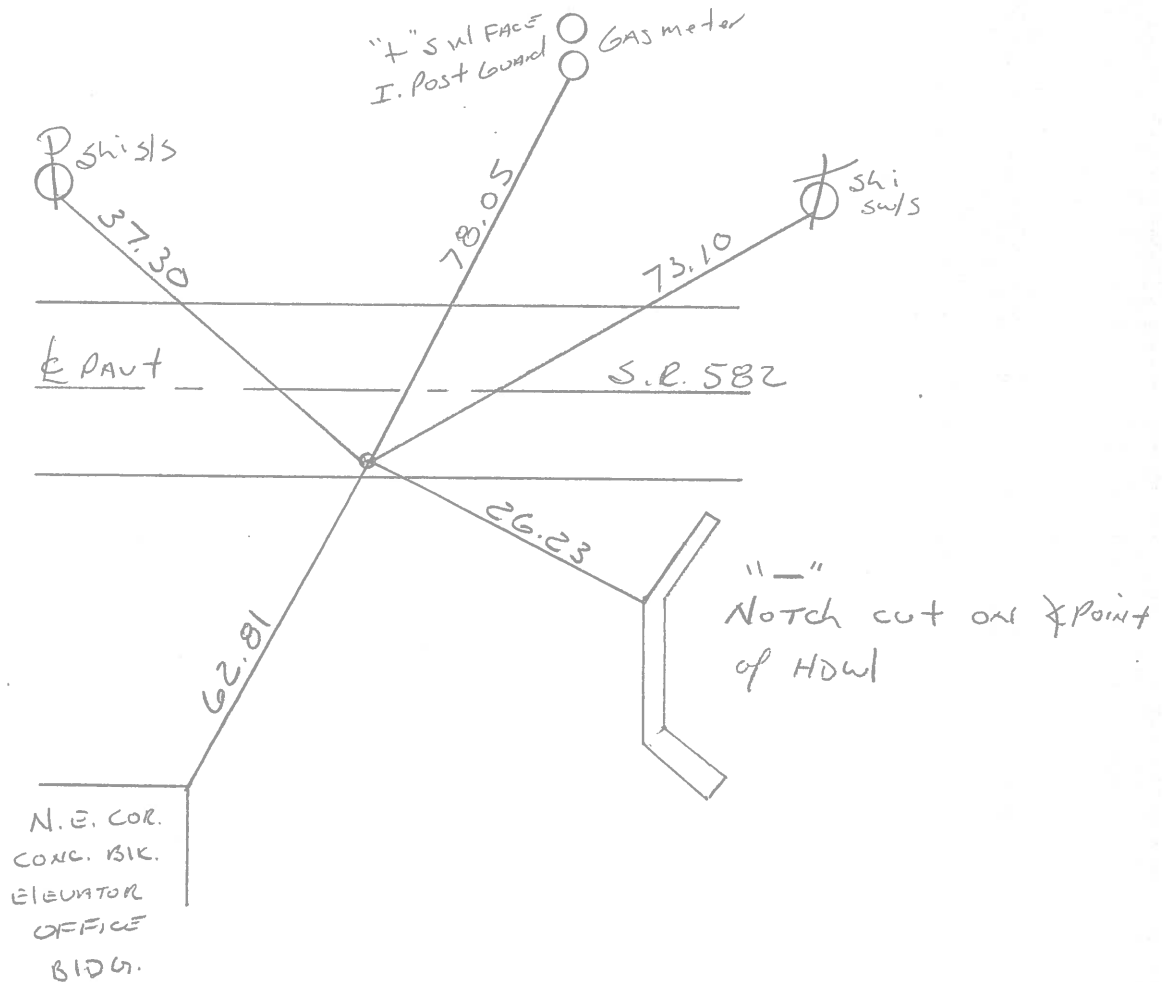


Fd. P.K. Nail 1/2" below surface

SLM sta ± 397+72

9.0' Rt. of & PAUT

0.7' TO S.E.P.



PERSONNEL	TITLE	PERSONNEL	TITLE
<i>Morrison</i>			
<i>Burrows</i>			
<i>Boon</i>			
<i>Boon</i>			

COUNTY Wood DATE April 16, 1980
 S. R. 11-522 WEATHER Clear
 SEC. Range 7-15-5R#190 TEMP. +75°

DESCRIPTION Tras for ... LEFT CENTER LINE RIGHT JOB NO.

