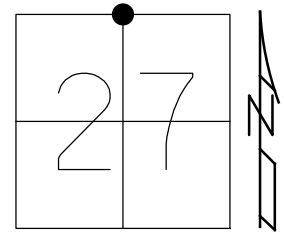


O.D.O.T. DISTRICT 2 SURVEY OFFICE (USE ONLY)

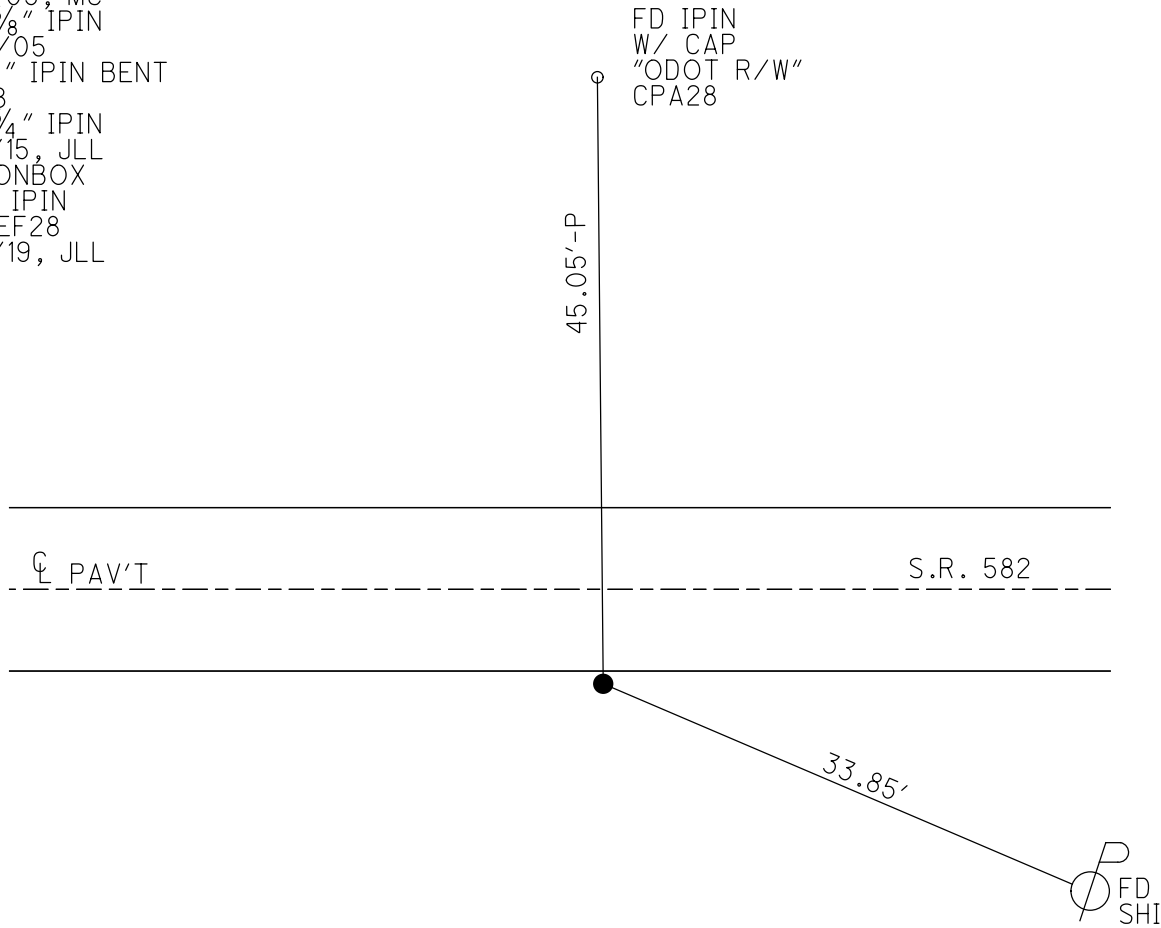
PERSONNEL \_\_\_\_\_ REFERENCE NO. 28 SHEET 7 OF 21  
 NOTES LEU DATE 4/24/19 ROUTE SR 582  
 H.C. LEU WEATHER SUNNY COUNTY WOOD  
 R.C. JAMES TEMP. 46° TOWNSHIP WEBSTER  
 DWG BY BALBAUGH PID 81000 SECTION 27  
 T 6 N R 11 E

TYPE MONUMENT 3/4" IPIN BENT  
~~ON SURFACE~~ - BELOW 4"  
 OFFSET  $\varnothing$  PAVEMENT 9.7' ~~RT~~ : RT  
1.6' TO RT EDGE PAVEMENT  
 STATION: 474+29.82



HORZ.DATUM: NAD83 (2011) GEOID: 2012A  
 GRID: NORTHING: 654275.487 EASTING: 1672254.510

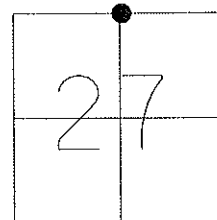
RECORD:  
 FD LG.R.R.SPIKE  
 4/15/05, MC  
 SET 5/8" IPIN  
 8/23/05  
 FD 3/4" IPIN BENT  
 REF28  
 SET 3/4" IPIN  
 4/14/15, JLL  
 FD MONBOX  
 W/ 1" IPIN  
 NEWREF28  
 11/14/19, JLL



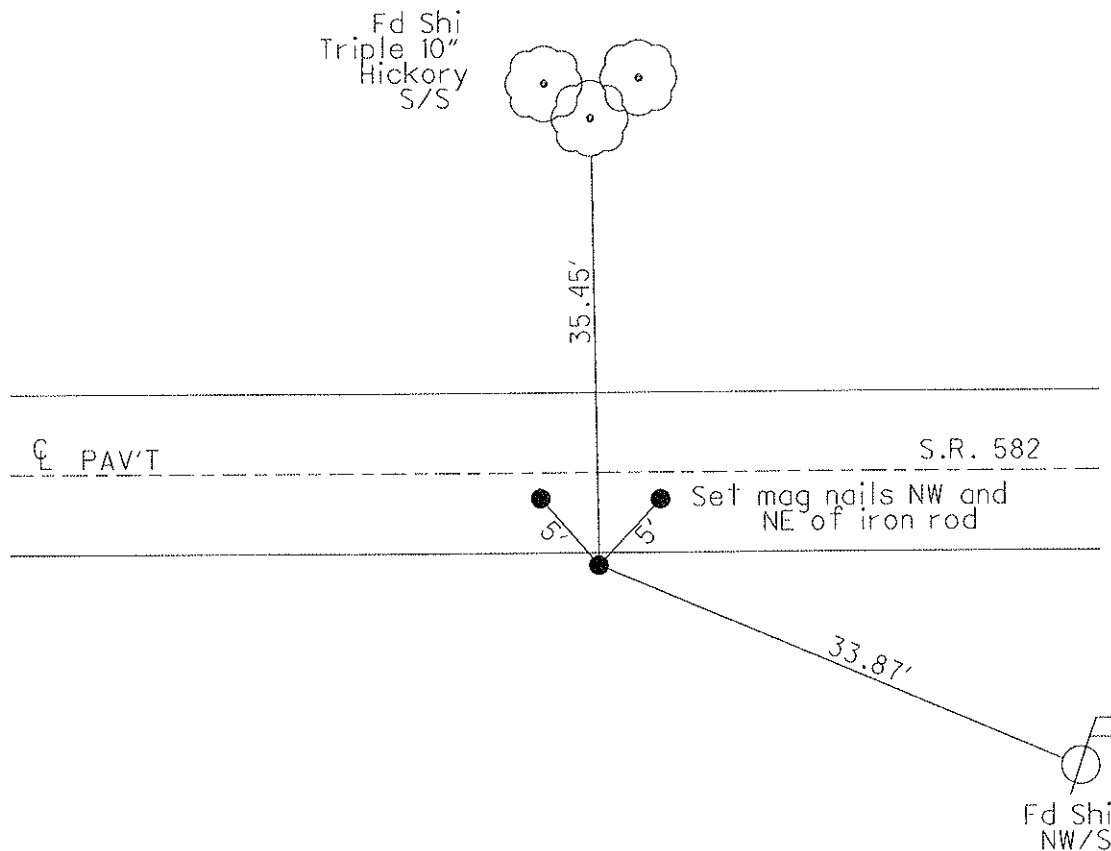
O.D.O.T. DISTRICT 2 SURVEY OFFICE

PERSONNEL	REFERENCE NO. <u>28</u>	SHEET <u>6</u> OF <u>20</u>
NOTES <u>BARNHISEL</u>	DATE <u>04/15/05</u>	ROUTE <u>S.R. 582</u>
H.C. <u>CANTERBURY</u>	WEATHER <u>CLEAR</u>	COUNTY <u>WOOD</u>
R.C. <u>BARNHISEL</u>	TEMP. <u>+50°</u>	TOWNSHIP <u>WEBSTER</u>
		SECTION <u>27</u>
		T <u>6</u> N R <u>11</u> E

TYPE MONUMENT Lg RR Spike  
~~ON SURFACE~~ - BELOW 4"  
~~LEFT~~ - Q PAV'T - RIGHT 9.7'  
1.6' TO RT EDGE PAVEMENT  
 S.L.M. 474+44  
 GRID: NORTHING: EASTING:



Set (5/8) inch iron rod  
 on south edge of paved berm  
 08/23/05



O.D.O.T. DISTRICT 2 SURVEY OFFICE

PERSONNEL

REFERENCE NO. 28

SHEET 7 OF 21

NOTES BARNHISEL

DATE 04/15/05

ROUTE S.R. 582

H.C. CANTERBURY

WEATHER CLEAR

COUNTY WOOD

R.C. BARNHISEL

TEMP. +50°

TOWNSHIP WEBSTER

SECTION 27

T 6 N R 11 E

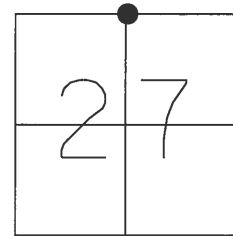
TYPE MONUMENT Lg RR Spike

~~ON SURFACE~~ - BELOW 4"

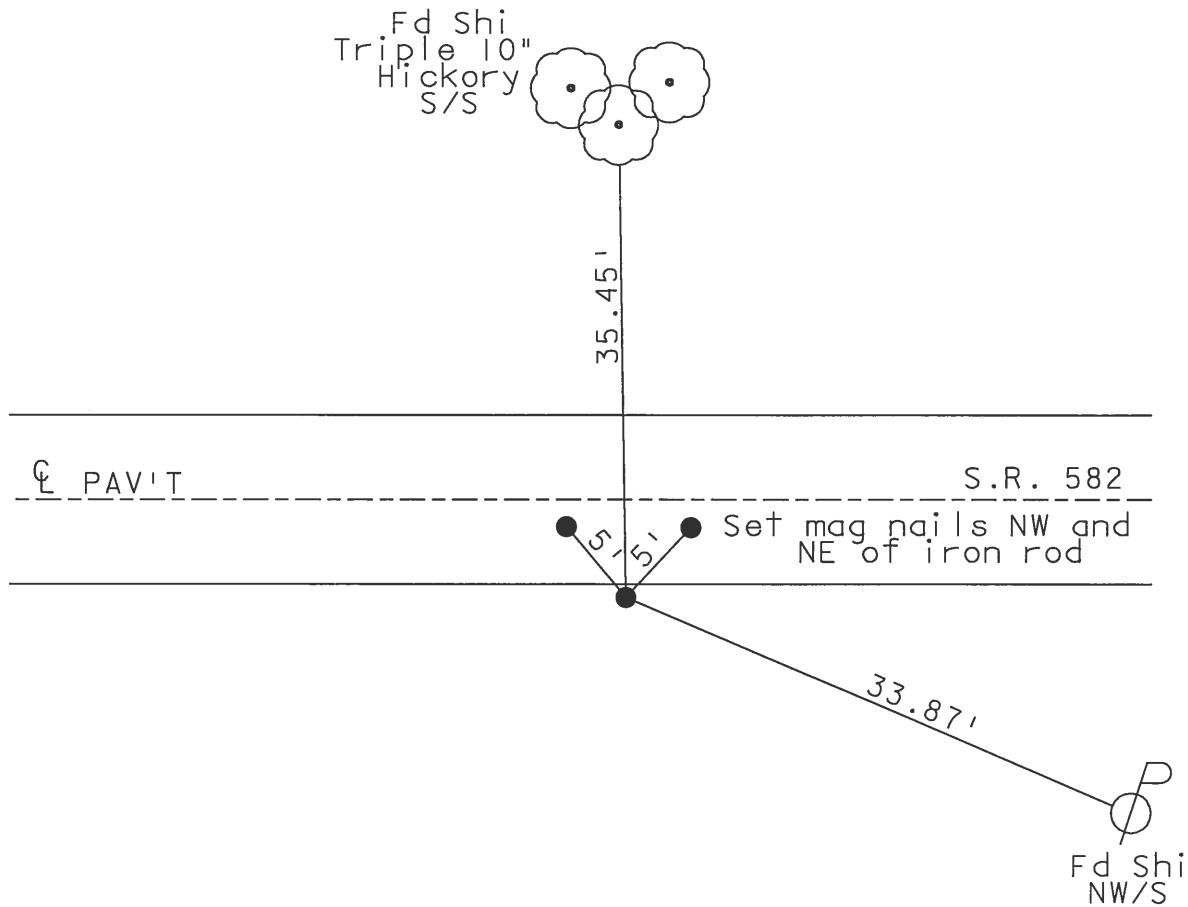
~~LEFT~~ - Q PAV'T - RIGHT 9.7'

1.6' RT of RT EDGE PAVEMENT

S.L.M. 474+44



Set (5/8) inch iron rod  
on south edge of paved berm  
08/23/05



# O.D.O.T. DISTRICT 2 SURVEY OFFICE

PERSONNEL

REFERENCE NO. 28

SHEET      OF     

NOTES LOEHRKE

H.C. HOFFMAN

DATE 7-12-90

ROUTE SR. 582

R.C. STEINHAUSER

WEATHER cloudy

COUNTY WOOD

TEMP. +65°

TOWNSHIP WEBSTER

BAENTZEL

SECTION 27

T. 6 N. R 11 E

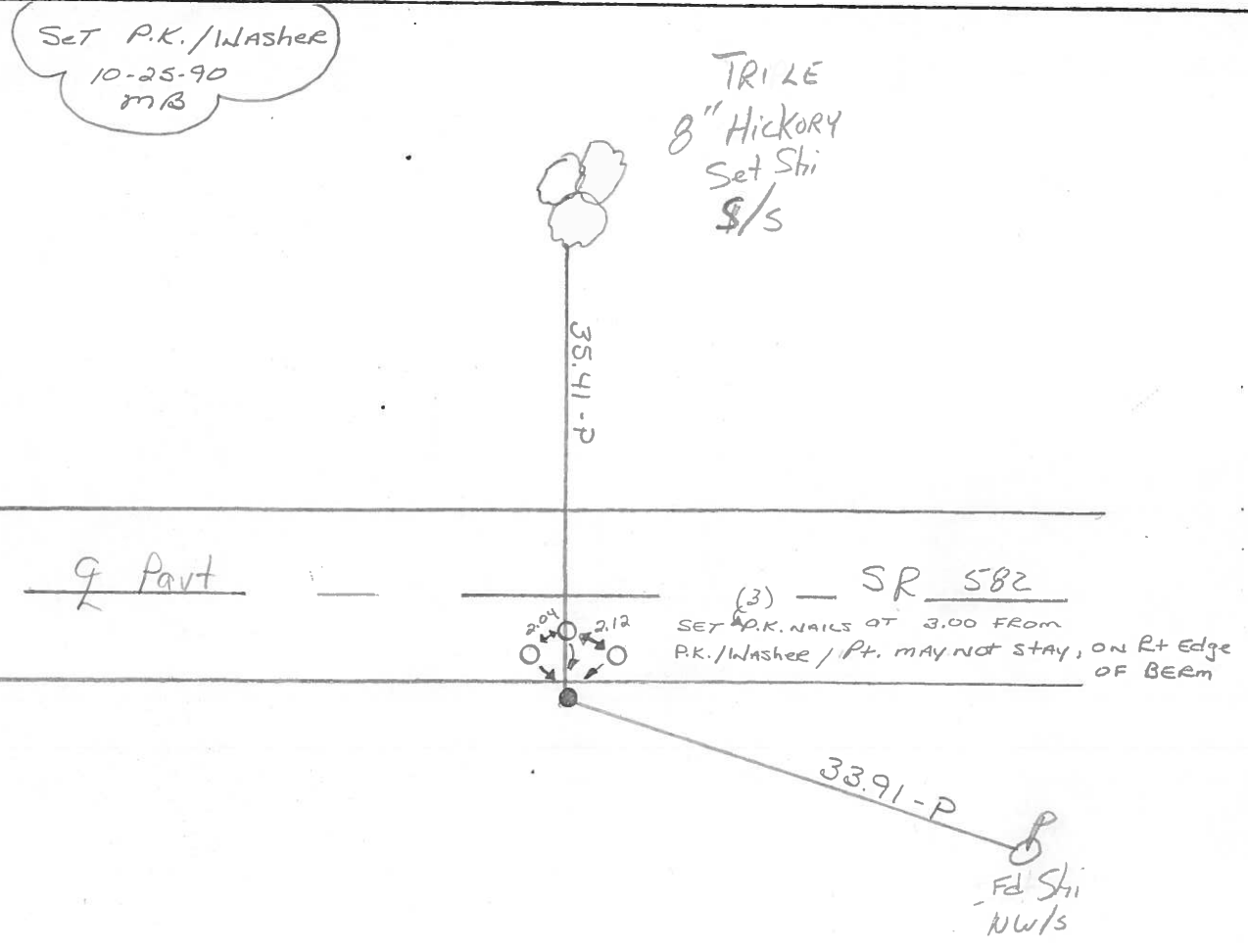
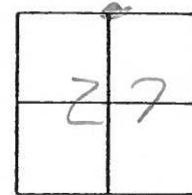
TYPE MONUMENT Lg R.R. Spk

ON SURFACE - BELOW 4"

LEFT -      PAV'T. - RIGHT 11.7

11 FT. OF      FT. EDGE PAVEMENT

S.L.M. 474 + 44



County Wood S.R. 582

Date 13 July 83

Township Webster

Weather Warm

Section 27

Temp. 85°

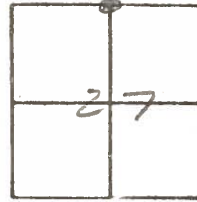
T N, R E

Personnel I. Stone

P. Neosen

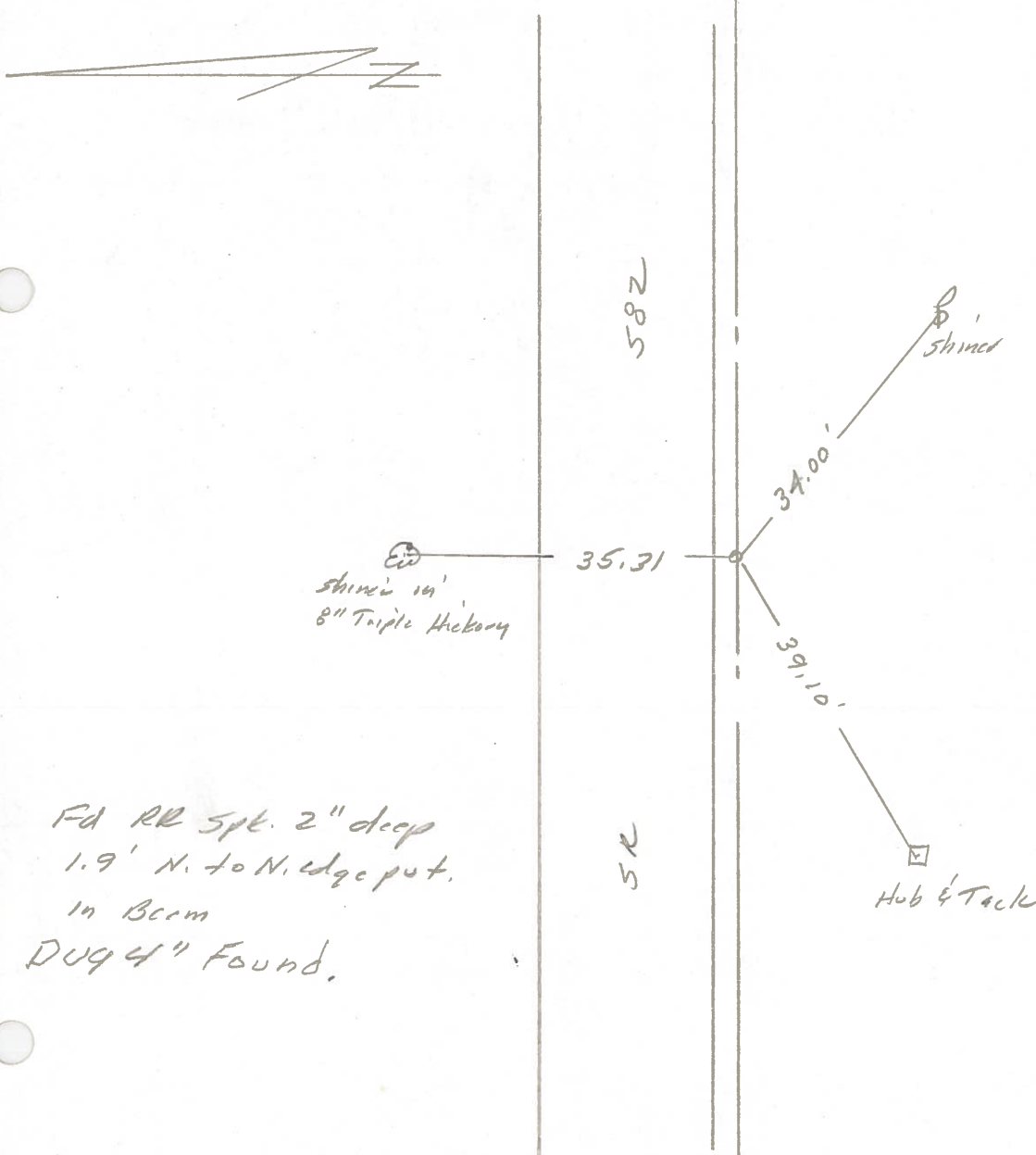
R. Michalek

D. Curtis



SLM STA. 474+60

REF. No. 28



Fd RR Spt. 2" deep  
1.9' N. to N. edge put.  
in beam  
DUG 4" Found.

County Wood S.R. 582

Date 6-22-82

Township WEBSTER

Weather clear

Section 27

Temp. +65°

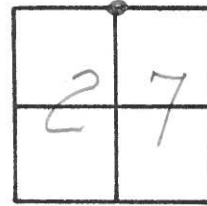
T&N, RILE

Personnel Hoffman

Loehrke

Householder

28

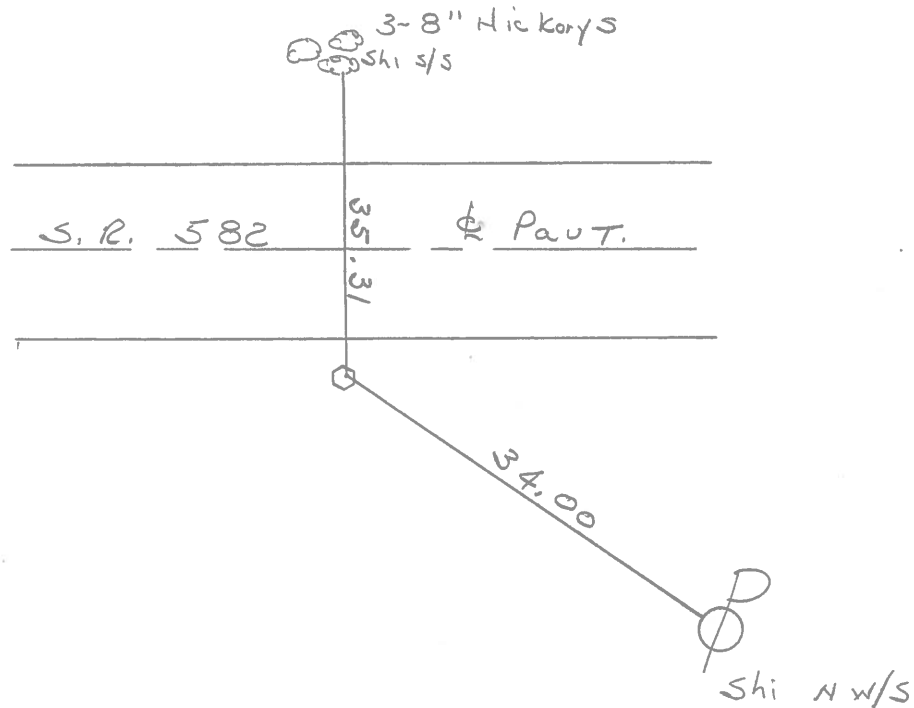


Fd. R.R. SPK 1" below surface of stab. shoulder

SLM sta. 473+71.60

11.4' S. of & Pavt  
1.8' S. of S.F.P.

opposite mile post #9



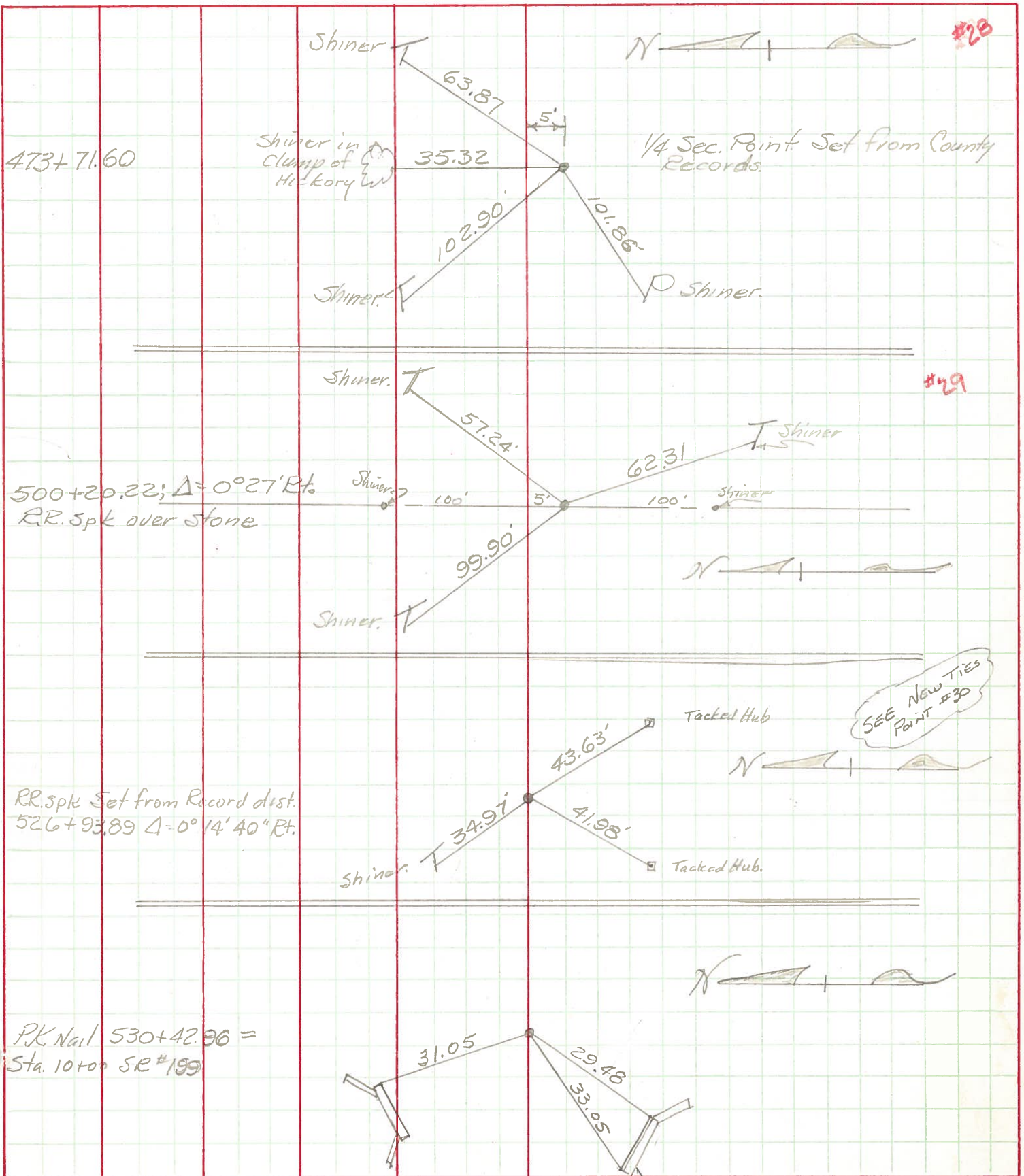
PERSONNEL TITLE PERSONNEL TITLE

COUNTY Wood DATE April, 17, 1969

S. R. #582 WEATHER Cloudy

SEC. From E75 to SR#199 TEMP. +75°

DESCRIPTION Ties to Control Points. JOB NO. 027300



PERSONNEL TITLE PERSONNEL TITLE

COUNTY Wood DATE April 17, 1930

S. R. # 527 WEATHER Cloudy

SEC 1/4 Sec 7816 2nd 1930 TEMP. +73°

DESCRIPTION Ties to Control Points JOB NO. 887300

LEFT CENTER LINE RIGHT

