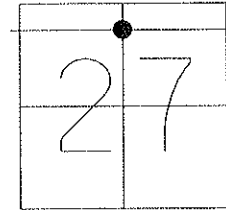


O.D.O.T. DISTRICT 2 SURVEY OFFICE

PERSONNEL	REFERENCE NO. <u>42</u>	SHEET <u>20</u> OF <u>29</u>
NOTES <u>HOMAN</u>	DATE <u>4-27-10</u>	ROUTE <u>SR 582</u>
H.C. <u>HOMAN</u>	WEATHER <u>SUNNY</u>	COUNTY <u>WOOD</u>
R.C. <u>ROUSOS</u>	TEMP. <u>45°</u>	TOWNSHIP <u>TROY</u>
		SECTION <u>27</u>
		T <u>6</u> N R <u>12</u> E

TYPE MONUMENT LARGE R.R. SPIKE
 ON SURFACE - ~~BELOW~~ On Surface
~~LEFT - C PAV'T~~ - RIGHT 2.8'
6.6' TO RT EDGE PAVEMENT
 S.L.M. 823+87.5 REC

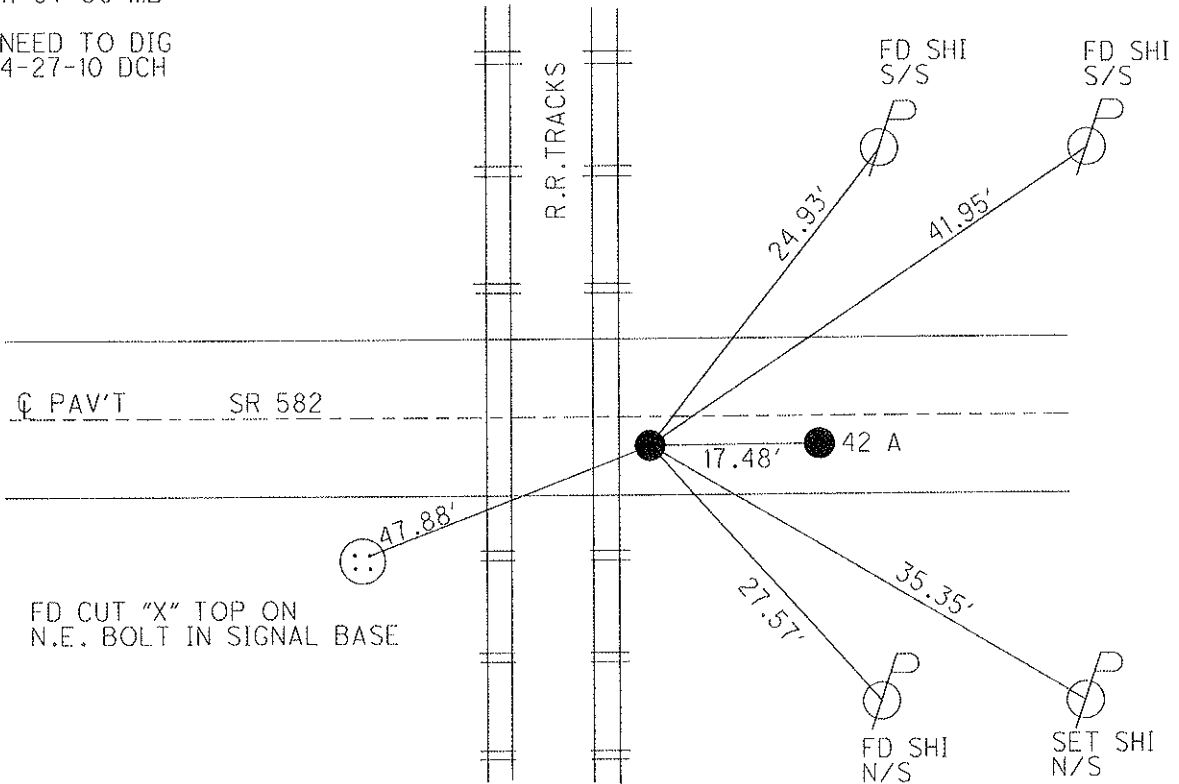


GRID: NORTHING: 652456.236 EASTING: 1705719.050

NOTE: PT. 42A ORIGIN UNKNOWN

SET PK/WASHER
 11-07-90 MB

NEED TO DIG
 4-27-10 DCH



O.D.O.T. DISTRICT 2 SURVEY OFFICE

PERSONNEL _____

REFERENCE NO. 42

SHEET _____ OF _____

NOTES LOEHRYE

H.C. LOEHRYE

R.C. BARNHISEL

DATE 7-26-90

WEATHER Cloudy

TEMP. +80

ROUTE SR 582

COUNTY WOOD

TOWNSHIP TROY

SECTION 27

T 6 N R 12 E

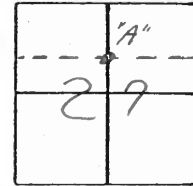
TYPE MONUMENT "A" LARGE RR SPIKE "B" Sm RR Spike

ON SURFACE - BELOW yes

LEFT - & PAV'T. - RIGHT A - 2.8' B - 2.9'

6.6 TO RT EDGE PAVEMENT

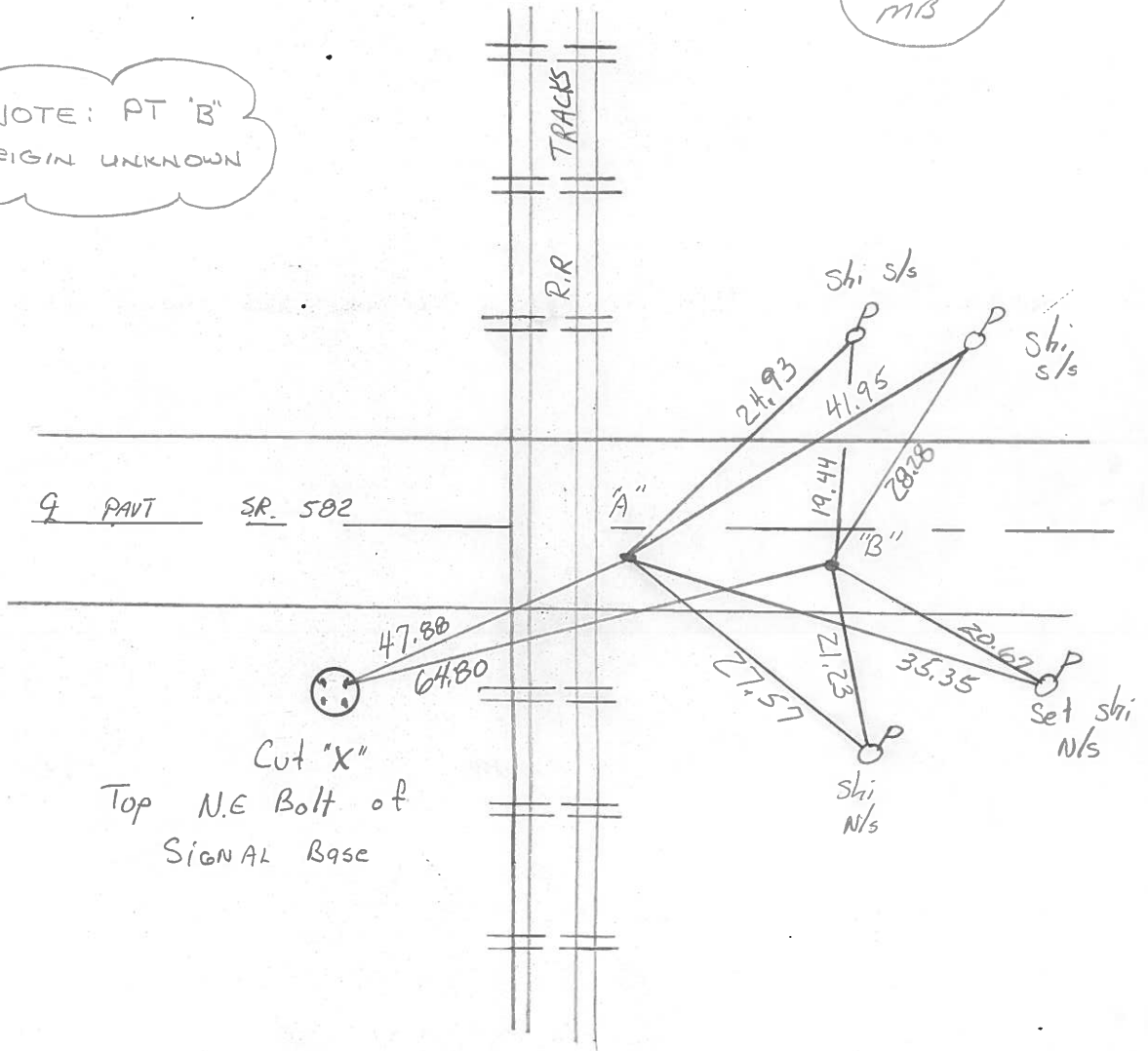
S.L.M. A = 823 + 87.5 B = 824 + 5



Between - 17.48

Set P.K. S/W Washers
11-7-90
MBS

NOTE: PT 'B'
ORIGIN UNKNOWN



County Wood S.R. 582

Date 13 July 83

Township Troy

Weather Warm

Section 27

Temp. 88°

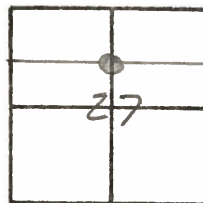
T_N, R_E

Personnel L. Stone

P. Neuse

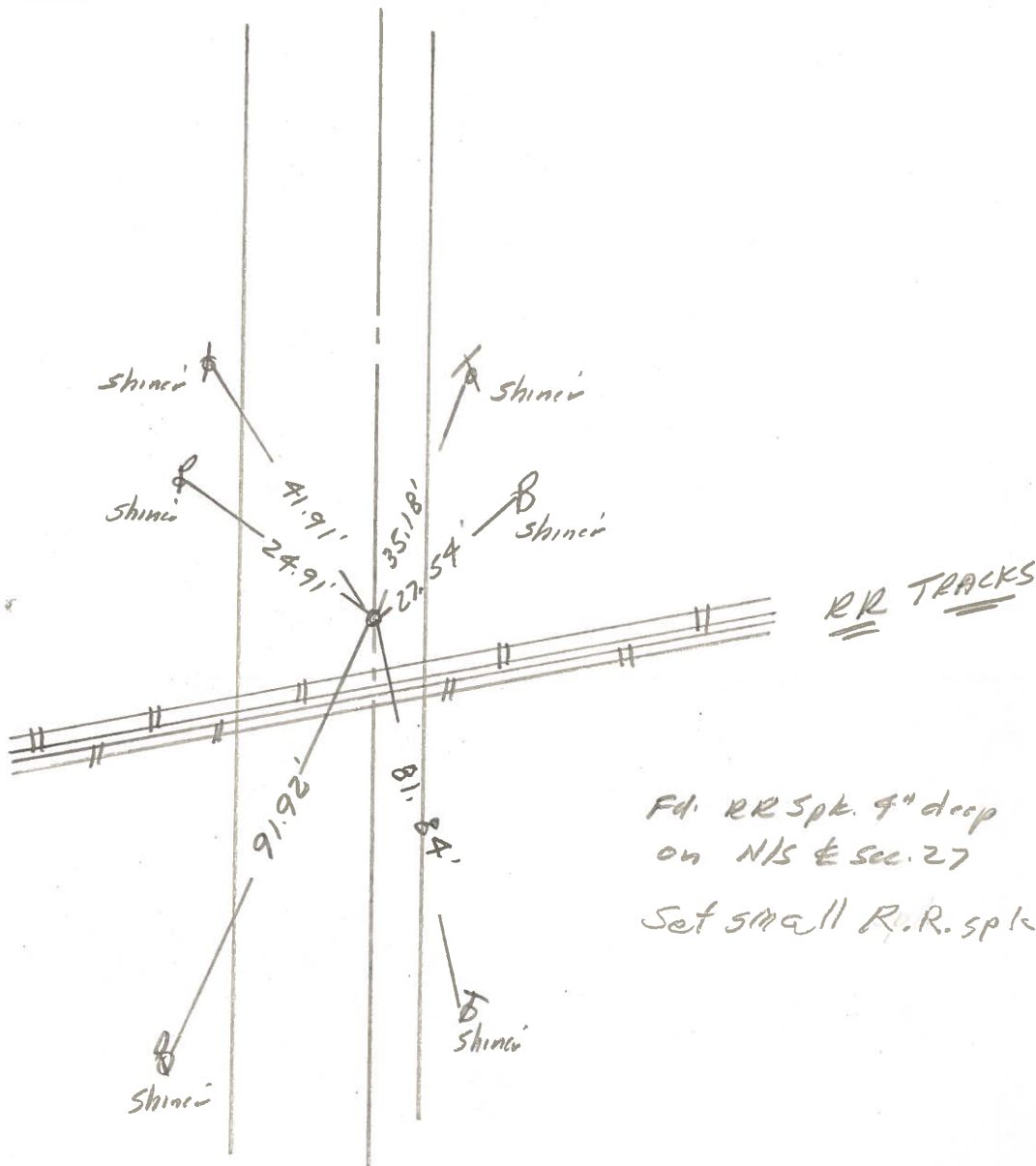
R. Michalak

D. Curtis



SLM Sta. 823+79

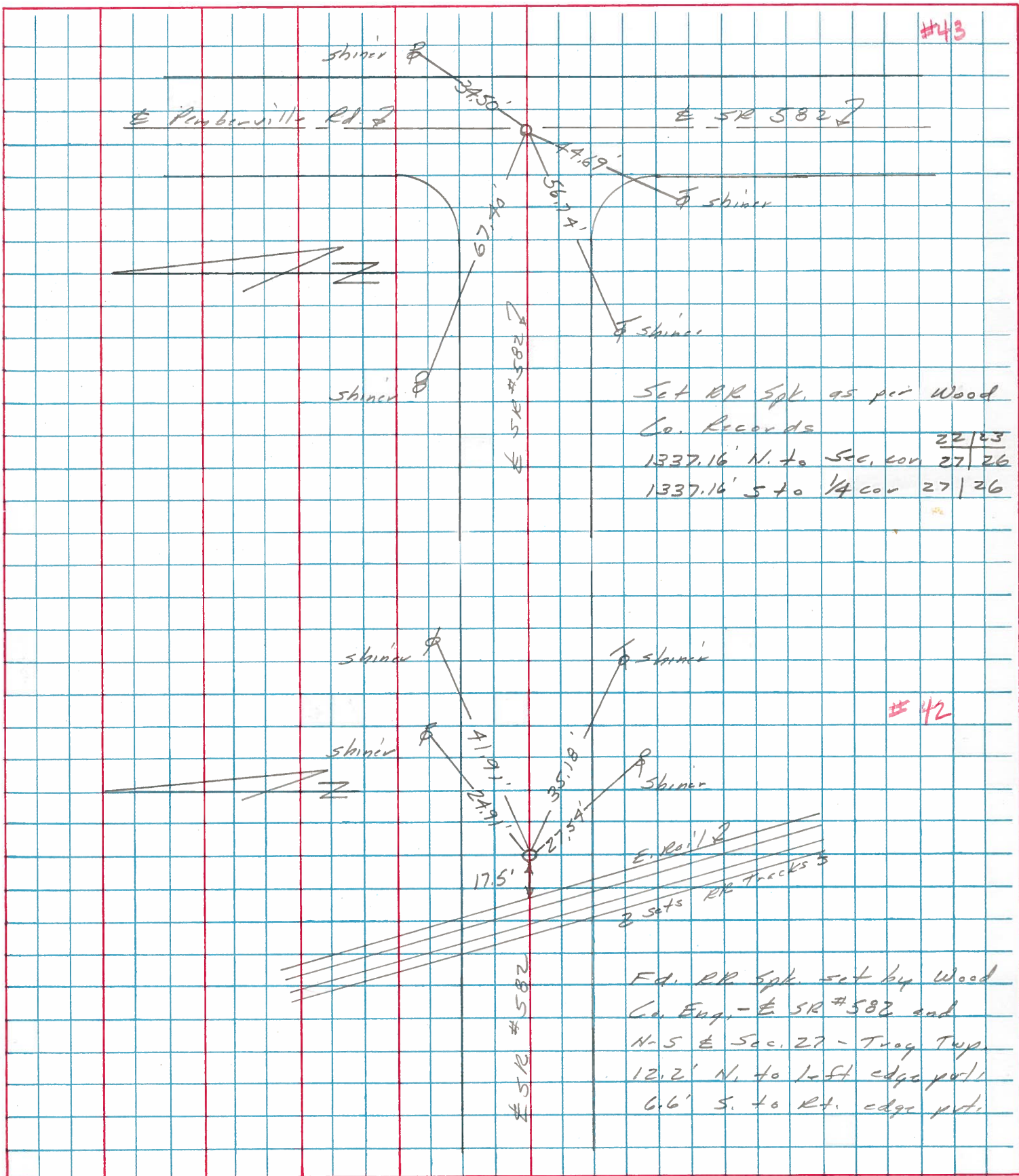
REF. No. 42



Fd. RR Spk. 9" deep
 on N1/5 & Sec. 27
 Set small R.R. spk.

PERSONNEL	TITLE	PERSONNEL	TITLE	COUNTY	DATE
Stone		Grondy		Wood	17 June 76
Michalak				S. R. 582	WEATHER Warm
Curtis				SEC. 27 - Troy Twp.	TEMP. 75°
Neuser					

DESCRIPTION References to Control Points JOB NO. _____



Set RR Spl. as per Wood Co. Records
 22/23
 1337.16' N. to Sec. cor 27/26
 1337.16' S to 1/4 cor 27/26

Ed. RR Spl. set by Wood Co. Eng. - E SR #582 and N. 5 E Sec. 27 - Troy Twp. 12.2' N. to 1-ft edge pt. 6.6' S. to Rt. edge pt.