

O.D.O.T. DISTRICT 2 SURVEY OFFICE

PERSONNEL

REFERENCE NO. 42 A

SHEET 21 OF 29

NOTES HOMAN

DATE 4-27-10

ROUTE SR 582

H.C. HOMAN

WEATHER SUNNY

COUNTY WOOD

R.C. ROUSOS

TEMP. 45°

TOWNSHIP TROY

SECTION 27

T 6 N R 12 E

TYPE MONUMENT SMALL R.R. SPIKE

ON SURFACE - ~~BELOW~~ On Surface

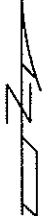
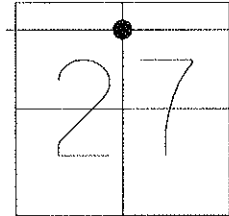
~~LEFT~~ - Q PAV'T - RIGHT 2.9'

6.6' TO RT. EDGE PAVEMENT

S.L.M. 824+05 REC

GRID: NORTHING:

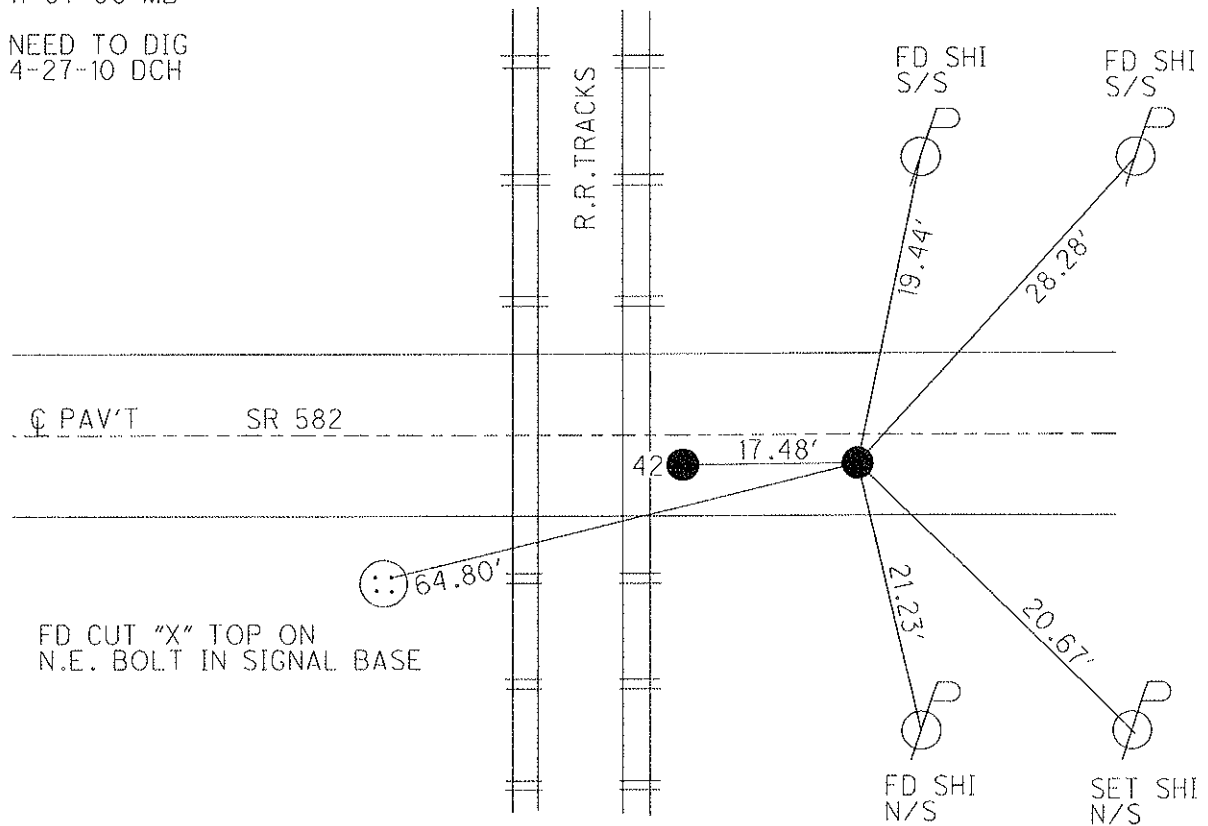
EASTING:



NOTE: ORIGIN UNKNOWN

SET PK/WASHER
11-07-90 MB

NEED TO DIG
4-27-10 DCH



O.D.O.T. DISTRICT 2 SURVEY OFFICE

PERSONNEL _____

REFERENCE NO. 42

SHEET _____ OF _____

NOTES LOEHRYE

H.C. LOEHRYE

R.C. BARNHISEL

DATE 7-26-90

WEATHER Cloudy

TEMP. +80

ROUTE SR 582

COUNTY WOOD

TOWNSHIP TROY

SECTION 27

T 6 N R 12 E

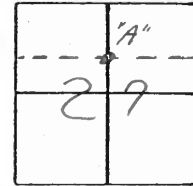
TYPE MONUMENT "A" LARGE RR SPIKE "B" SM RR SPIKE

ON SURFACE - BELOW yes

LEFT - & PAV'T. - RIGHT A - 2.8' B - 2.9'

6.6 TO RT EDGE PAVEMENT

S.L.M. A = 823 + 87.5 B = 824 + 5



Between - 17.48

Set P.K. & Washers
11-7-90
M/B

NOTE: PT "B"
ORIGIN UNKNOWN

