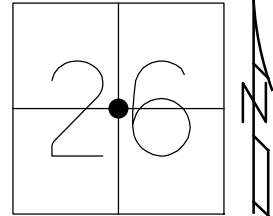


O.D.O.T. DISTRICT 2 SURVEY OFFICE (USE ONLY)

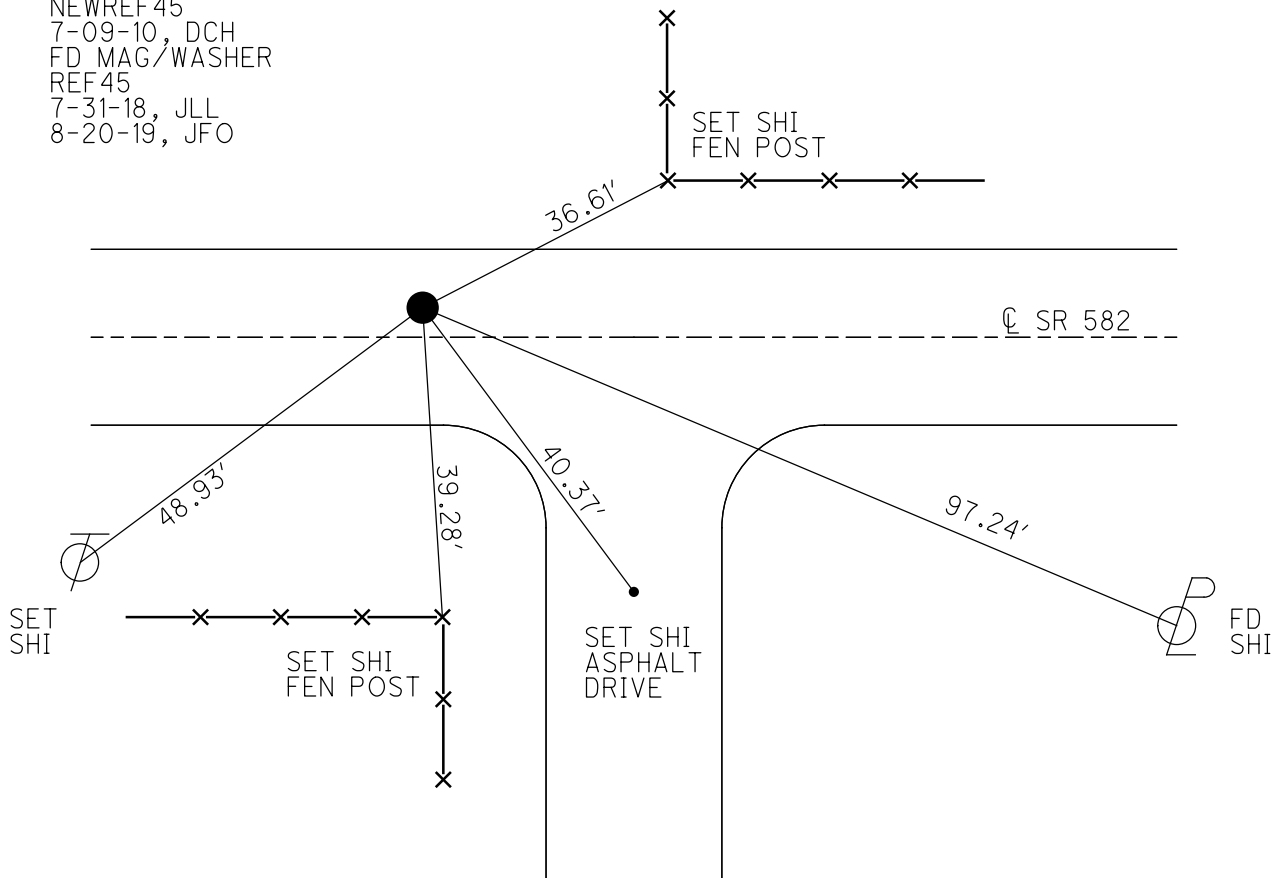
PERSONNEL \_\_\_\_\_ REFERENCE NO. 45 SHEET 26 OF 29  
 NOTES TRENKA DATE 7-31-18 ROUTE SR 582  
 H.C. LEU WEATHER RAIN COUNTY WOOD  
 R.C. TRENKA TEMP. 73° TOWNSHIP TROY  
 DWG BY NIESE PID NO PID SECTION 26  
 T 6 N R 12 E

TYPE MONUMENT MAG/WASHER  
 ON SURFACE - ~~BELOW~~ ON  
 OFFSET CL PAVEMENT 1.6' LT : ~~RT~~  
8.9' TO N EDGE PAVEMENT  
 STATION: 889+25.97



HORZ. DATUM: NAD83(2011) GEOID: 2012A  
 GRID: NORTHING: 651100.529 EASTING: 1709675.064

RECORD:  
 SET P.K./WASHER  
 6-17-82, SWH  
 SET MAG/WASHER  
 NEWREF45  
 7-09-10, DCH  
 FD MAG/WASHER  
 REF45  
 7-31-18, JLL  
 8-20-19, JFO



O.D.O.T. DISTRICT 2 SURVEY OFFICE

PERSONNEL \_\_\_\_\_

REFERENCE NO. 45

SHEET 26 OF 29

NOTES HOMAN

DATE 4-28-10

ROUTE SR 582

H.C. HOMAN

WEATHER SUNNY

COUNTY WOOD

R.C. ROUSOS

TEMP. 35°

TOWNSHIP TROY

SECTION 26

T 6 N R 12 E

TYPE MONUMENT SQUARE HEAD BOLT

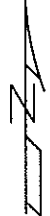
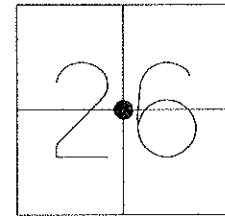
~~ON SURFACE~~ - BELOW 3"

LEFT - 0 PAV'T - RIGHT 1.6'

8.9' TO N EDGE PAVEMENT

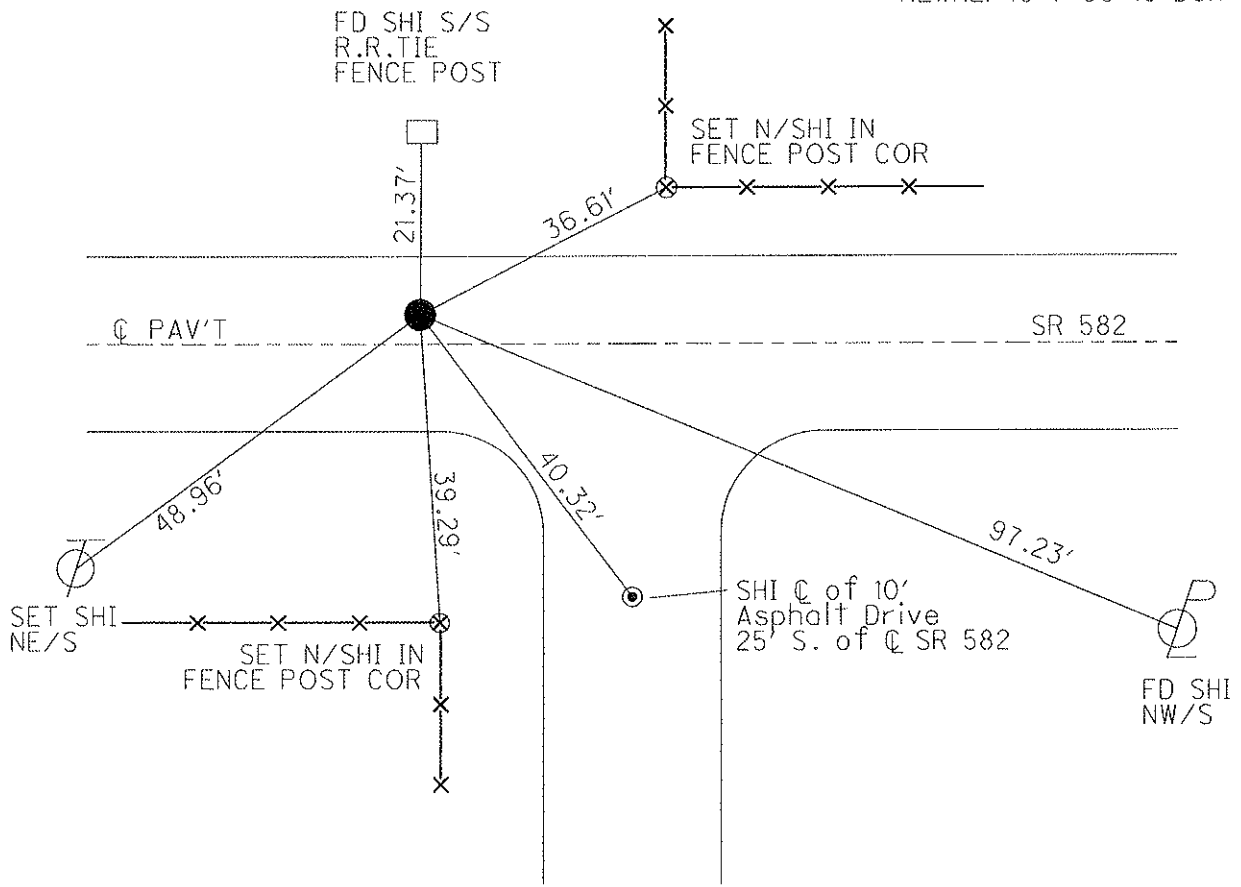
S.L.M. 889+25.97, 10.6' TO S. E.P.

GRID: NORTHING: 651100.553 EASTING: 1709674.952



SET PK/WASHER  
6-17-82 SWH

SET MAG/WASHER  
NEWREF45 7-09-10 DCH



County Wood S.R. 582

Date 5-7-82

Township Troy

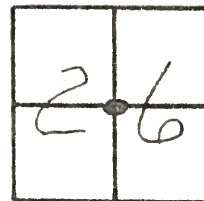
Weather Rain

Section 26

Temp. +70

T6N, R12E

Personnel Hoffmire



#45

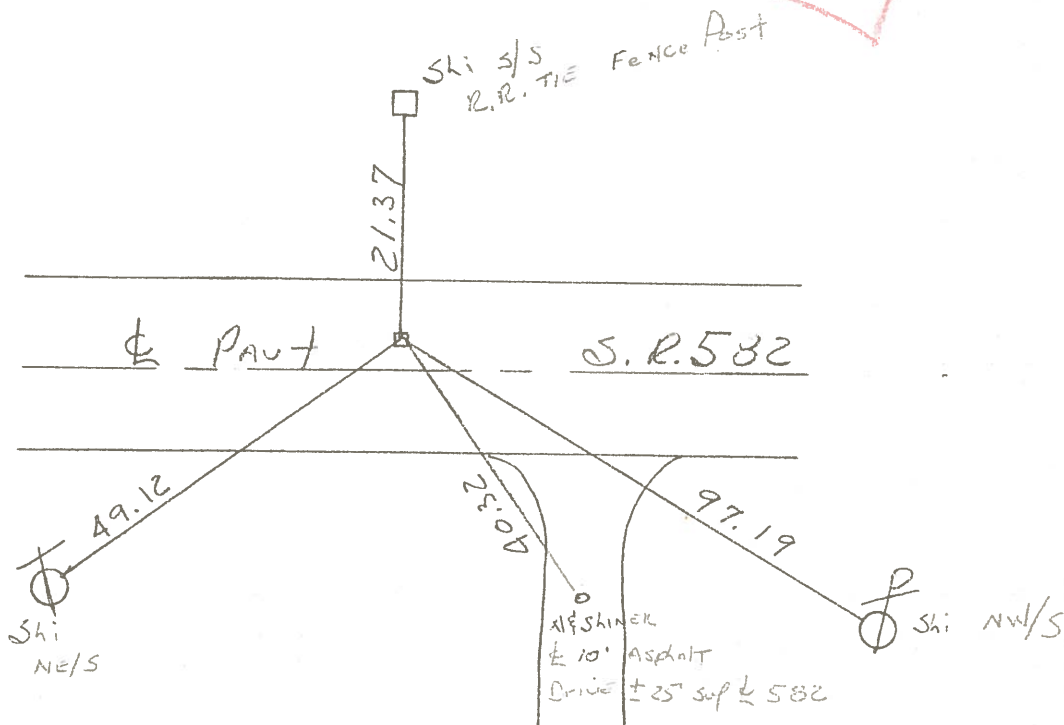
      
      
      
      
    

Ed. "D" Head Bolt 1/2" Below surface

S.L.M. Sta ± 869 + 32

- 1.6' Lt. of  $\phi$  PAUT
- 3.9' TO N.E.P.
- 10.6' TO S.E.P.

Set PK/washer  
6-17-82  
SWH



County Wood S.R. 582

Date 5-7-82

Township TROY

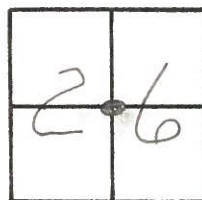
Weather Rain

Section 26

Temp. +70

T6N, R12E

Personnel HOFFMAN



#45

F  
Crew

Fd. "D" HEAD BOLT 1/2" below surface

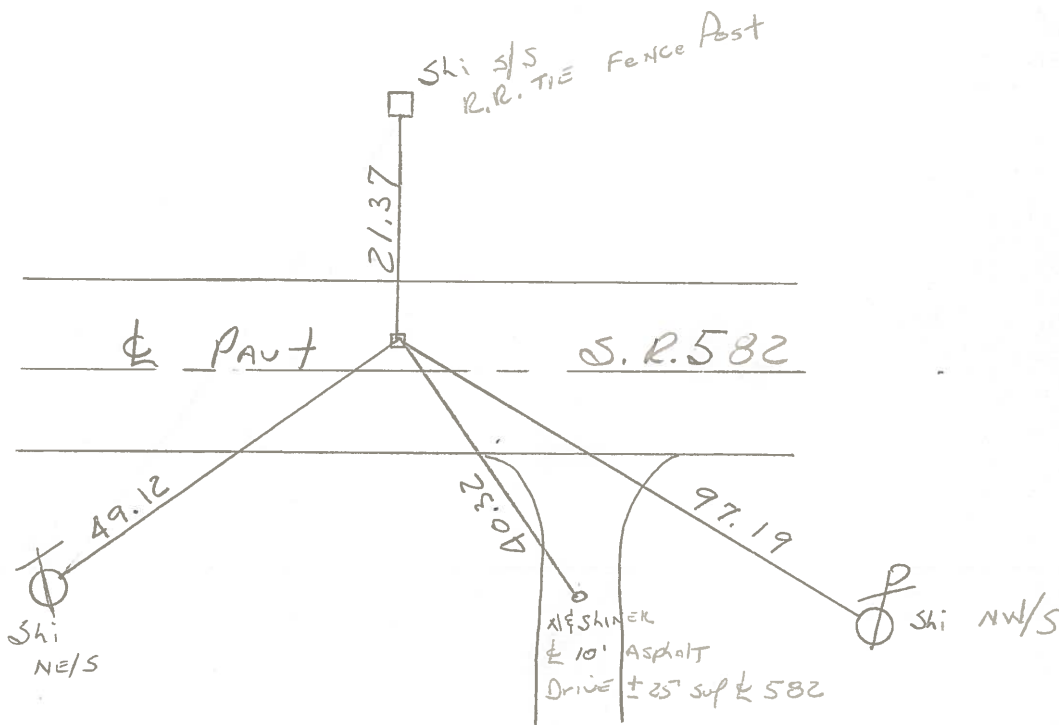
S.L.M. Sta ± 869 + 32

1.6' Lt. of  $\phi$  PAUT

8.9' TO N.E.P.

10.6' TO S.E.P.

SET P.K./WASHER  
6-17-82  
S.W.H.



Town 6 N. Range 12 E.

1/4 Corner of Sections 26, 27 TROY TWP

Kind of Monument R.R. SPK Remarks

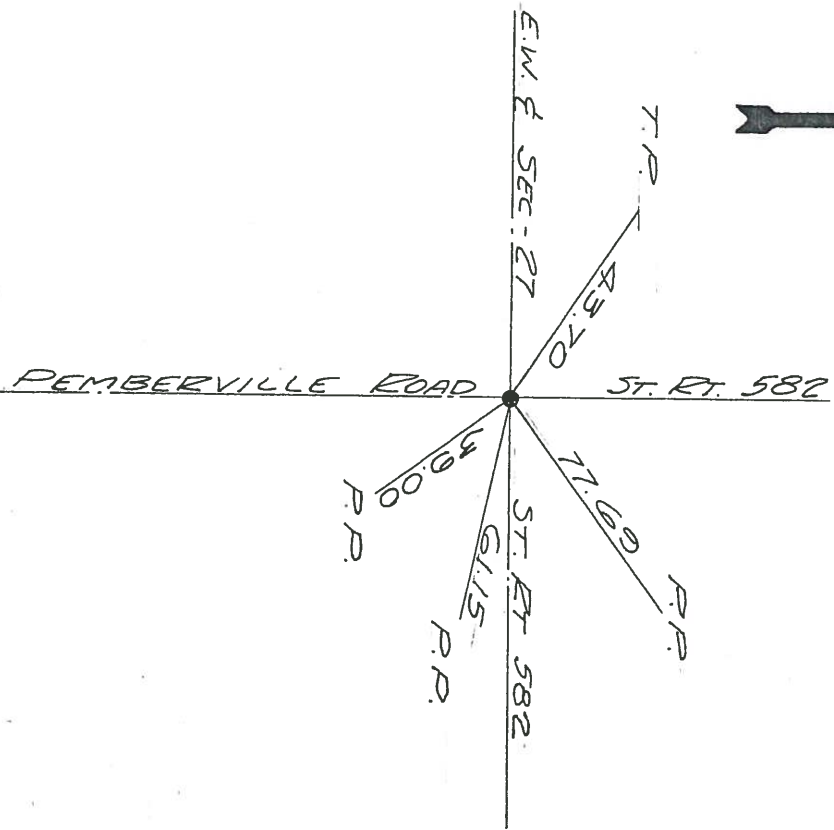
FOUND SET 12-23-1968 BY COUNTY

N. & S. Road PEMBERVILLE F. B. P.

E. & W. Road ST. RT. 582 F. B. P.

44

Date Checked:



Town 6 N Range 12 E.

INT. Corner of Sections 26 TROY

Kind of Monument BOLT Remarks 1/2" diam

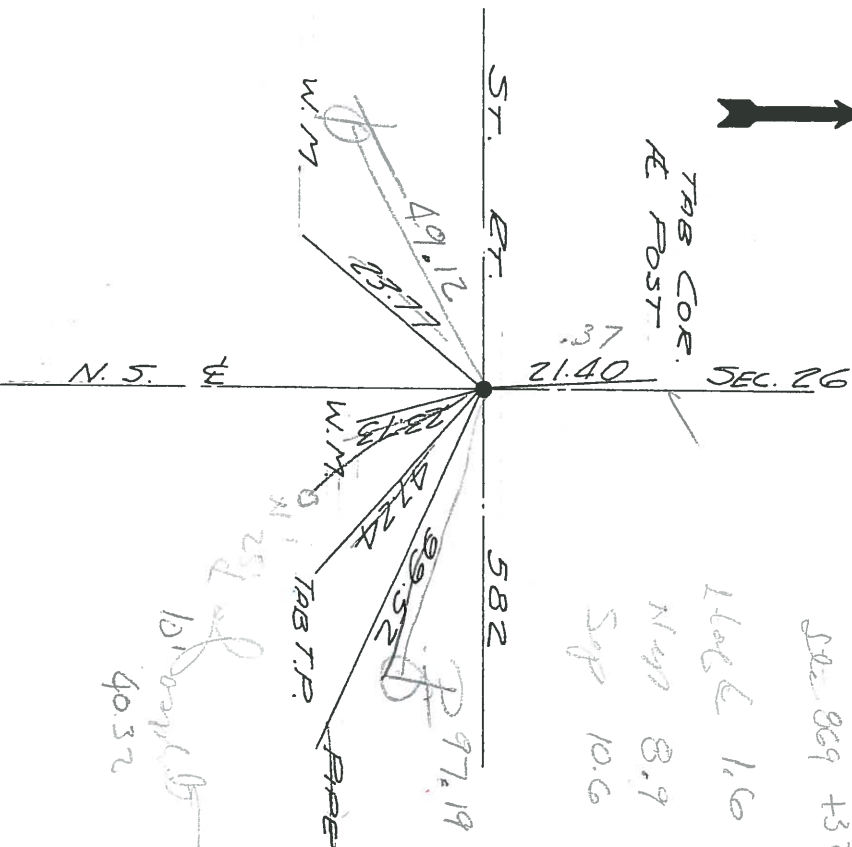
FOUND SET 12-14-1970 BY

N. & S. Road \_\_\_\_\_ F. B. P.

E. & W. Road ST. RT. 582 F. B. P.

45

Date Checked:



11666 1.6  
 N47 8.9  
 S97 10.6  
 52.869 +32  
 10/22/75  
 4032