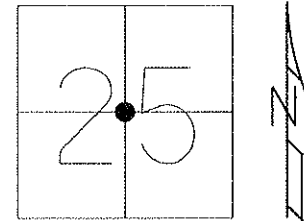


O.D.O.T. DISTRICT 2 SURVEY OFFICE

PERSONNEL	REFERENCE NO. <u>47</u>	SHEET <u>28</u> OF <u>29</u>
NOTES <u>HOMAN</u>	DATE <u>4-28-10</u>	ROUTE <u>SR 582</u>
H.C. <u>HOMAN</u>	WEATHER <u>SUNNY</u>	COUNTY <u>WOOD</u>
R.C. <u>ROUSOS</u>	TEMP. <u>35°</u>	TOWNSHIP <u>TROY</u>
		SECTION <u>25</u>
		T <u>6</u> N R <u>12</u> E

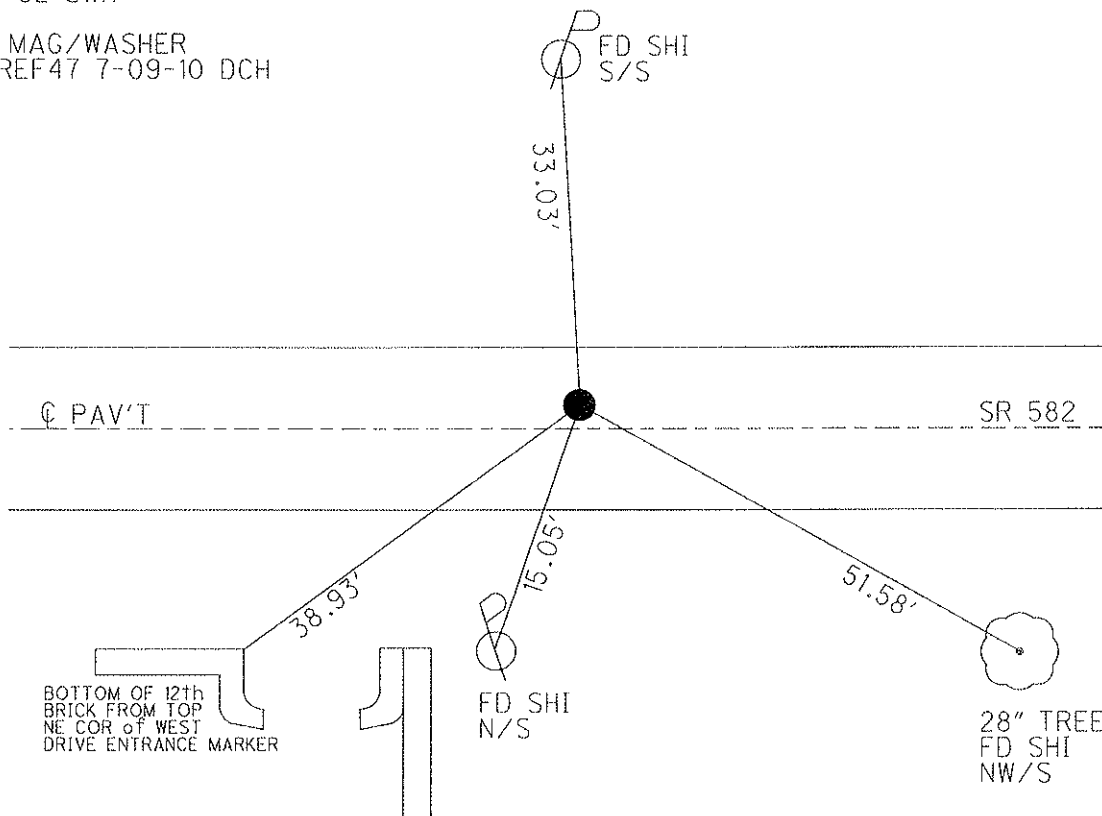
TYPE MONUMENT PK Nail
 ON SURFACE - ~~BELOW~~ On Surface
 LEFT - ~~☉ PAV'T~~ - RIGHT 0.7'
TO EDGE PAVEMENT
 S.L.M. 942+10.07, 8.3' TO N. EP, 9.6' TO S. EP
 GRID: NORTHING: 651026.810 EASTING: 1714958.460



NOTE: FD 1/2" IRON PIN
 2" BELOW SURFACE

SET PK/WASHER
 6-17-82 SWH

SET MAG/WASHER
 NEWREF47 7-09-10 DCH



County Wood S.R. 582

Date 5-7-82

Township TROY

Weather Rain

Section 25

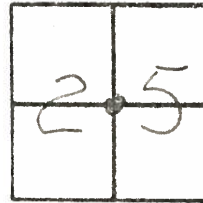
Temp. +70°

T6N, R1E

Personnel HOFFMAN

47

E
Crew



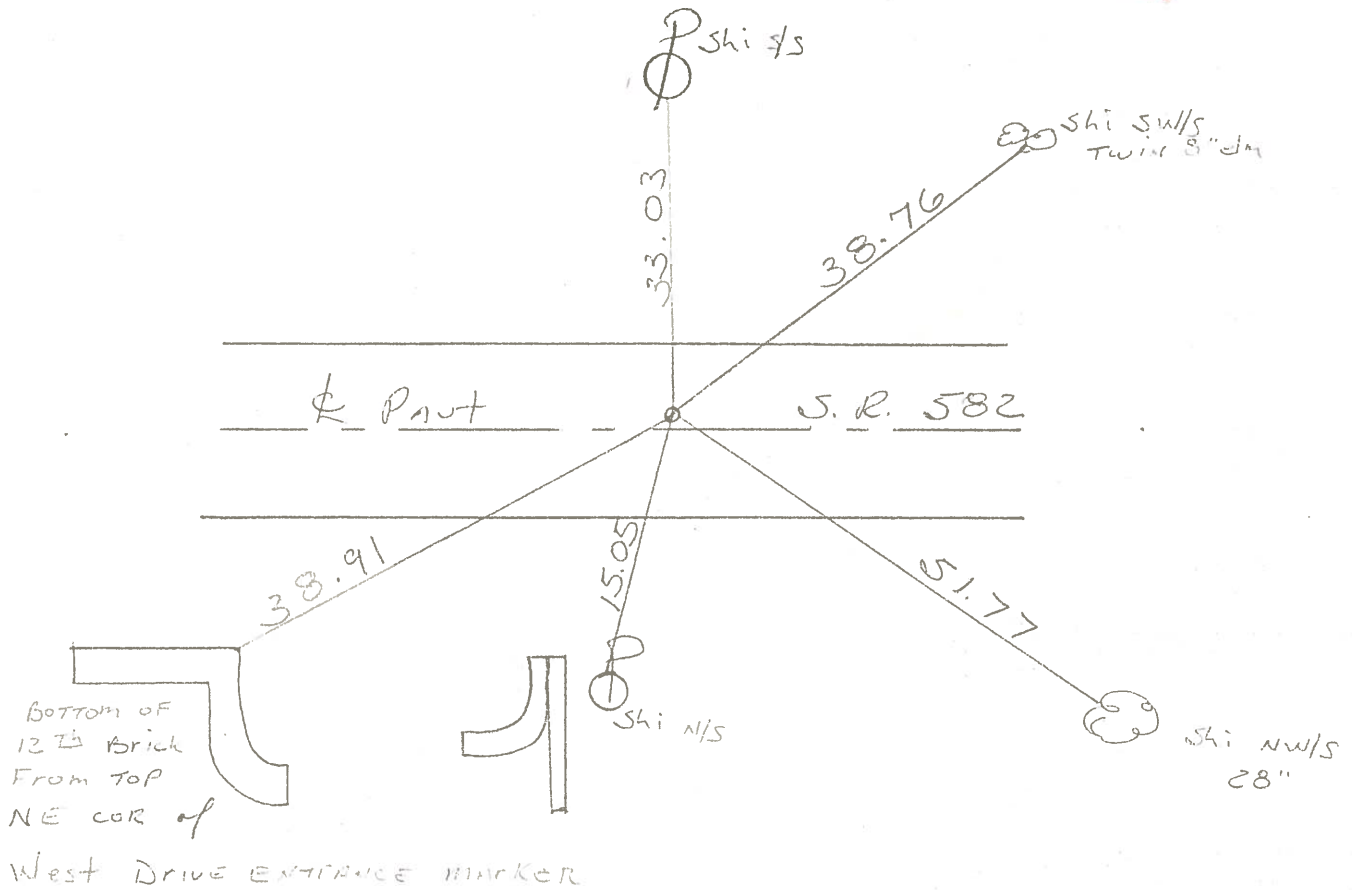
Fd. 1/2" I. Pin 2" Below Surface

8.3' TO N.E.P.

9.6' TO S.E.P.

S.L.M. Sta ± 942+31

Set PK/washer
6-17-82
swid



County WOOD S.R. 582

Date 5-7-82

Township TROY

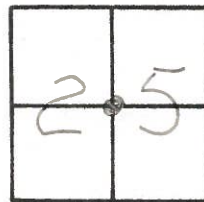
Weather Rain

Section 25

Temp. +70°

T6N, R12E

Personnel HOFFMAN



#47

ε
Crew

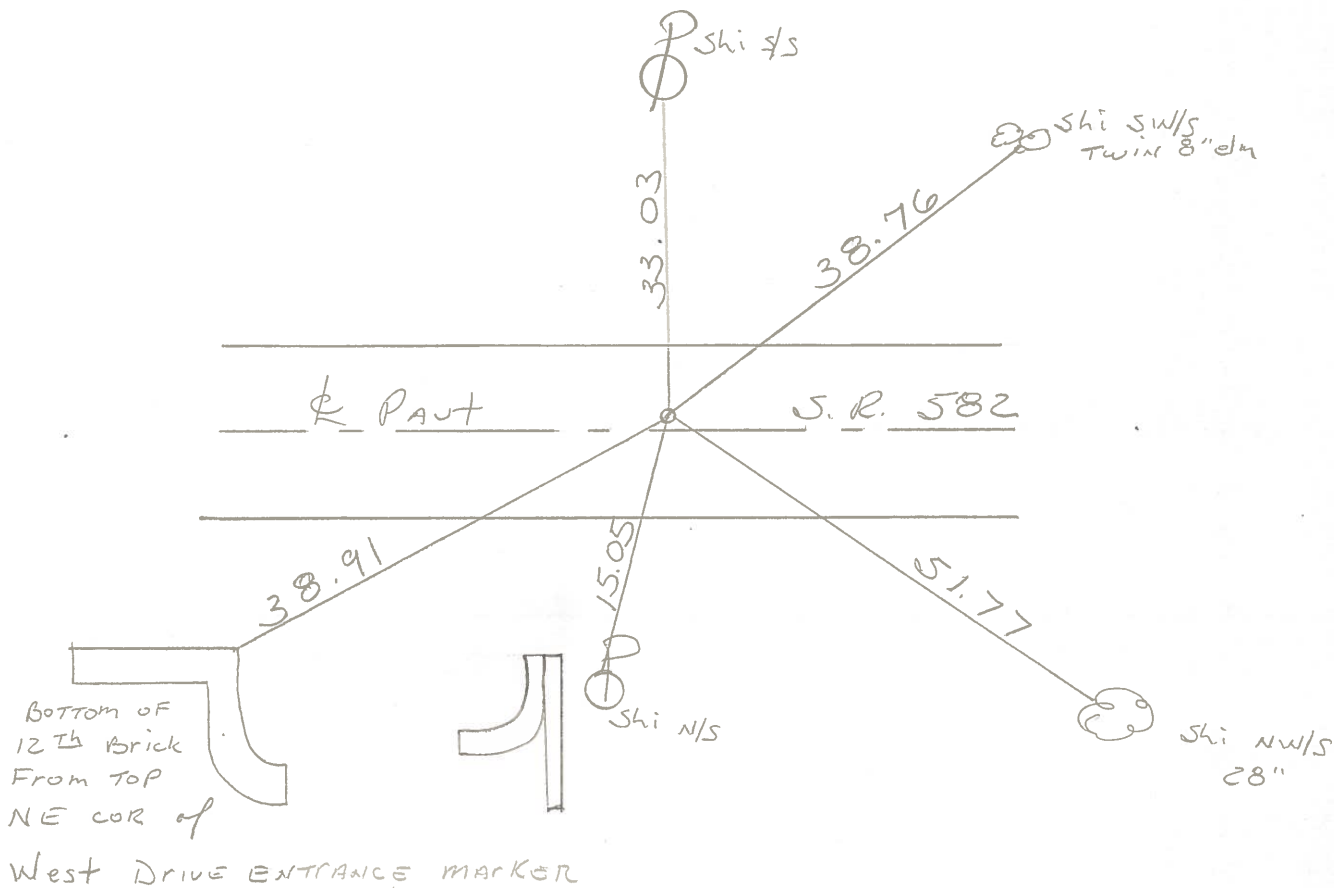
Fd. 1/2" I. Pin 2" Below Surface

S.L.M. Sta ± 942+31

8.3' TO N.E.P.

SET P.K./WASHER
6-17-82
S.W.H.

9.6' TO S.E.P.



PERSONNEL	TITLE	PERSONNEL	TITLE
COUNTY <u>Wood</u>			
DATE <u>Sworden - 4-6-60</u>			
S. R. <u>#582</u>			
WEATHER _____			
SEC. _____			
TEMP. _____			

DESCRIPTION	LEFT	CENTER LINE	RIGHT	JOB NO.
-------------	------	-------------	-------	---------

Stone 0.9' deep in center of pau't.		Fd. Wooden Hub ^{OK}	Fence cor. post 1.0' W of N. ^{21.44'} 21.76'	
	#468		14" Ash E of N. Shi. 20.08'	20.35'
			Shiner in P.P. S.W. 58.59'	58.56'
			Shiner in P.P. S.W. 66.94'	67.0'
			Drove iron pipe E. 95.0'	95.30'
			Drove iron pipe W. 47' 9"	5.30'
			Shiner in P. Pole N.W.	37.72'
W 1/4 post sec. 25 Troy twp.			Shiner in 12" Walnut S.W. ^{58.14'}	58.20'
Iron stake over stone		^{OK}	Shiner in 20" Elm N.W. ^{49.22'}	49.30'
	#469	46	Cor. stone bldg. 10' up N.E.	77.4277.48
A - 1056.20' E. of W. 1/4 post sec. 25 Troy Twp.				
B - 1201.20' E. of W. 1/4 post sec. 25 Troy Twp.				
Interior 1/4 post sec. 25 Troy twp.			Shiner in 14" Locust S.E.	53.93
Stone		^{OK}	Shiner in P. Pole South	59.26'
	#470	47	Shiner in P.P. N.W. 51.75'	51.80'
			Shiner in 12" Walnut N.N.E.	32.25'
			Shiner in 6" Walnut S.S.E.	31.40'
				31.29'
Stone 664' E. of int. 1/4 post sec. 25		^{OK}	Shiner in 12" Walnut N.W.	52.70
	#471		Shiner in 18" Elm N.	22.75'
			Shiner in 14" Walnut S.W.	95.05'
			Shiner in P. Pole N.E.	83.36'
Stone 1328.0' E. of int. 1/4 sec. 25			Iron stake on prop. line N.	25.75
	#472		Shiner in 6" Walnut S.	40.65
			Shiner in 10" Ash S.W.	90.65'