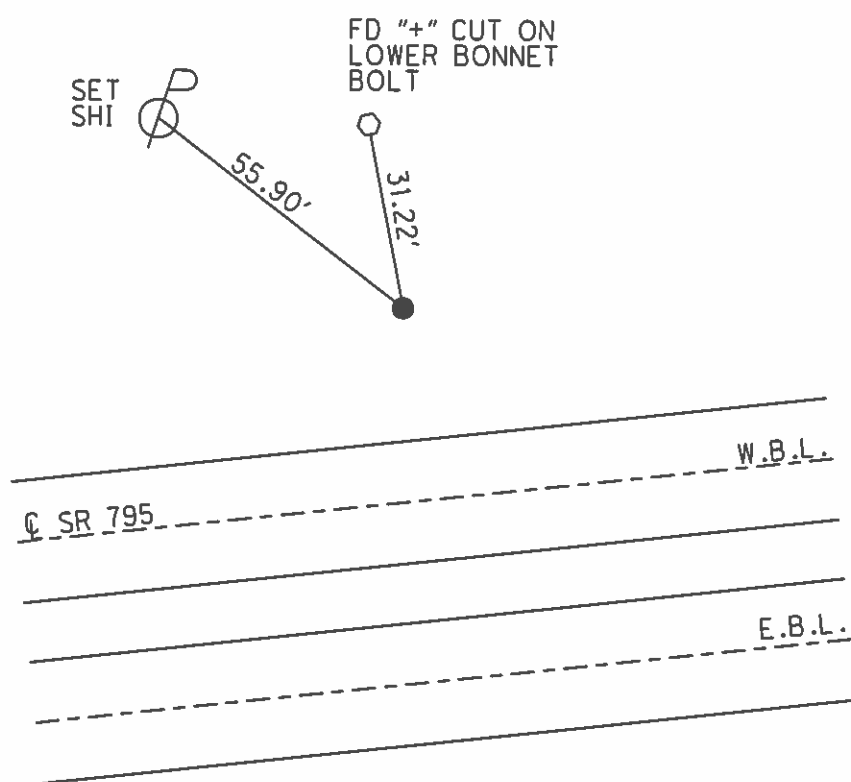
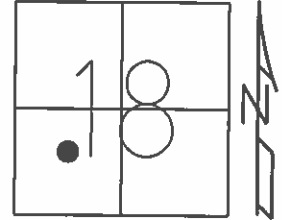


O.D.O.T. DISTRICT 2 SURVEY OFFICE (USE ONLY)

PERSONNEL _____ REFERENCE NO. 13 C SHEET 10 OF 19
 NOTES HUSS DATE 5/24/12 ROUTE SR 795
 H.C. HUSS WEATHER FAIR COUNTY WOOD
 R.C. CANTERBURY TEMP. 82° TOWNSHIP LAKE
 _____ SECTION 18
 _____ T 7 N R 12 E

TYPE MONUMENT 5/8" IPIN
 ON SURFACE - ~~BELOW~~ ON _____
 LEFT - Q PAV'T - RIGHT - _____
31.9' N TO N EDGE PAVEMENT
 S.L.M. 292+53
 GRID: NORTHING: 692916.939 EASTING: 1688375.924



RECORD: P.I.
 STA. 292+13.42
 FD IPIN IN CONC.
 31.9' TO W.B.L.
 N/EDGE
 8/16/71, I.S.
 FD 5/8" IPIN
 GPS, REFC13