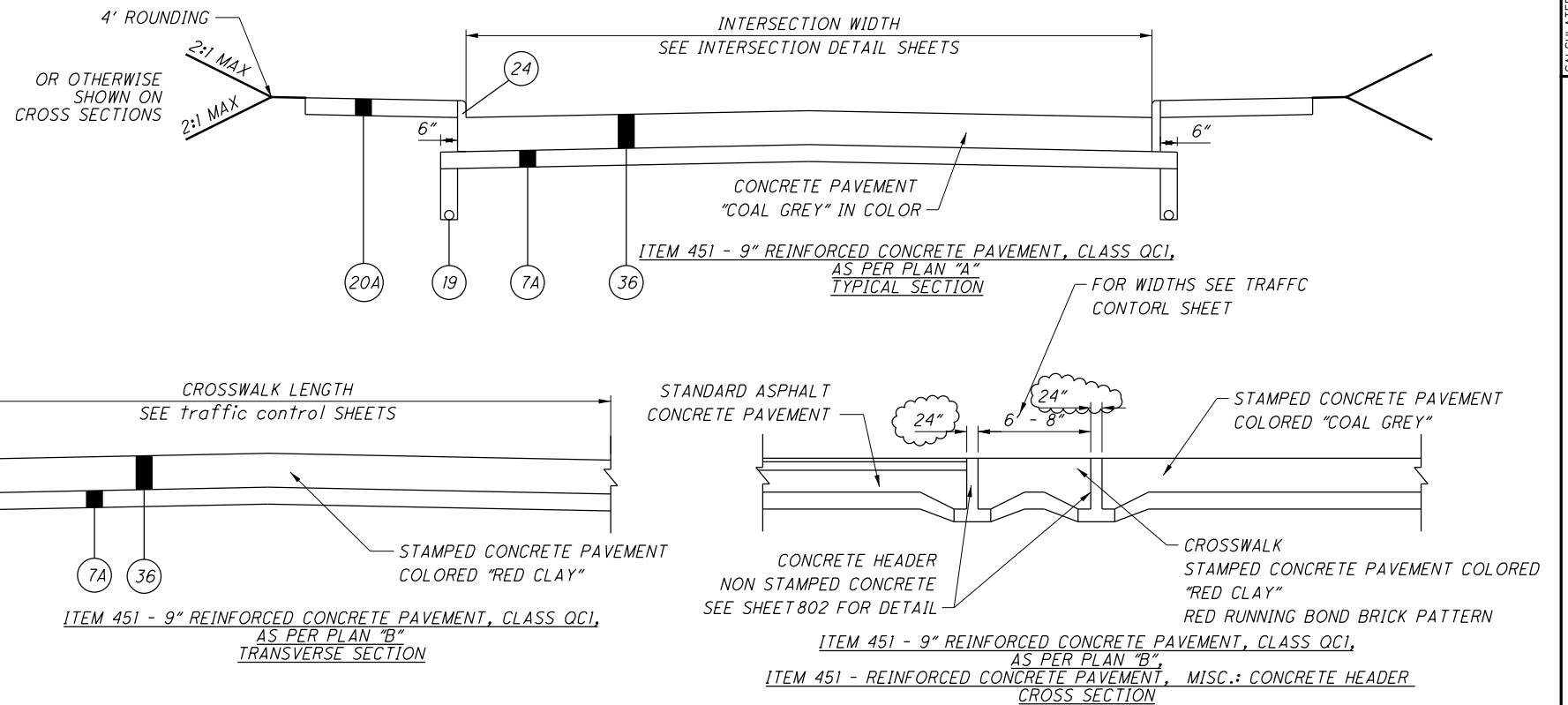
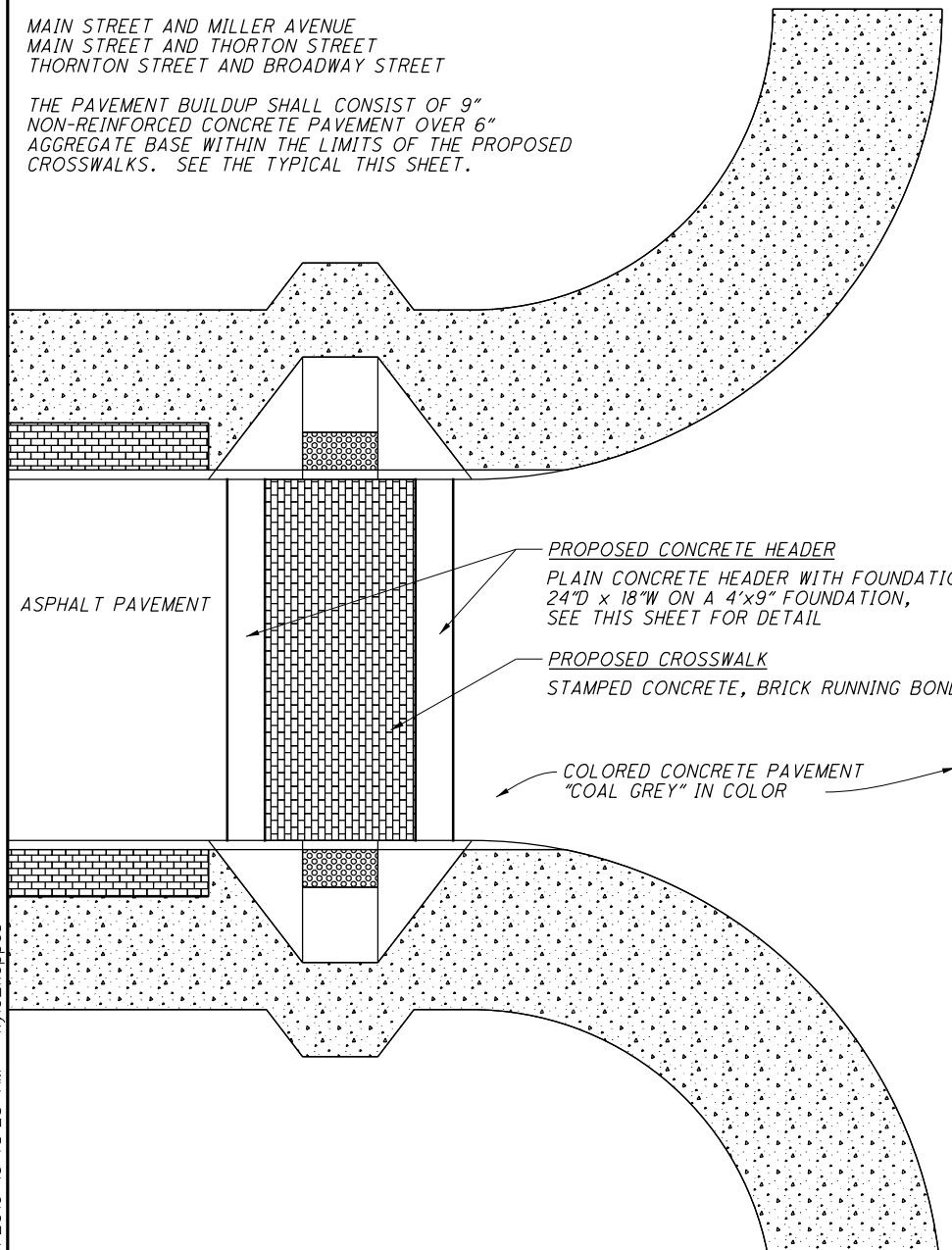


FOR AS PER PLAN NOTES SEE SHEET 802

THE FOLLOWING LOCATIONS SHOWN ON SHEETS 795 TO 797

MAIN STREET AND MILLER AVENUE
 MAIN STREET AND THORTON STREET
 THORNTON STREET AND BROADWAY STREET

THE PAVEMENT BUILDUP SHALL CONSIST OF 9" NON-REINFORCED CONCRETE PAVEMENT OVER 6" AGGREGATE BASE WITHIN THE LIMITS OF THE PROPOSED CROSSWALKS. SEE THE TYPICAL THIS SHEET.

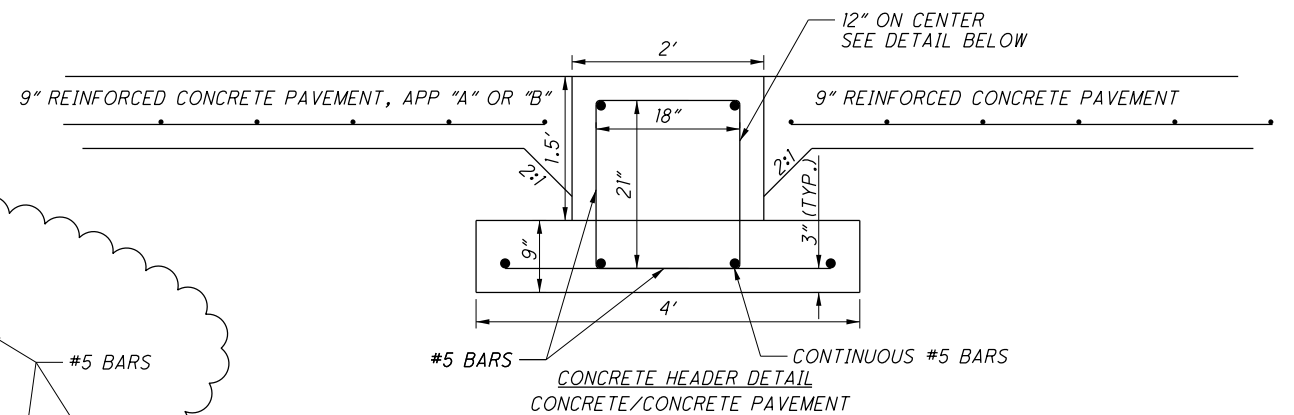
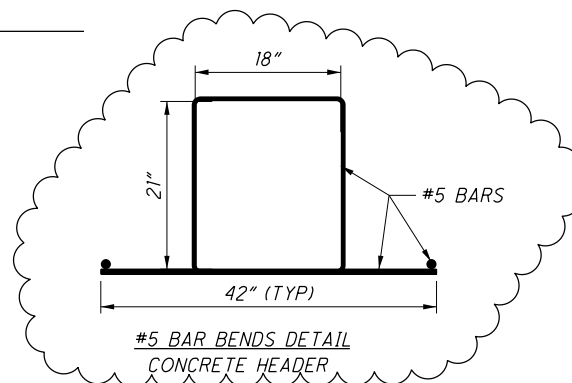
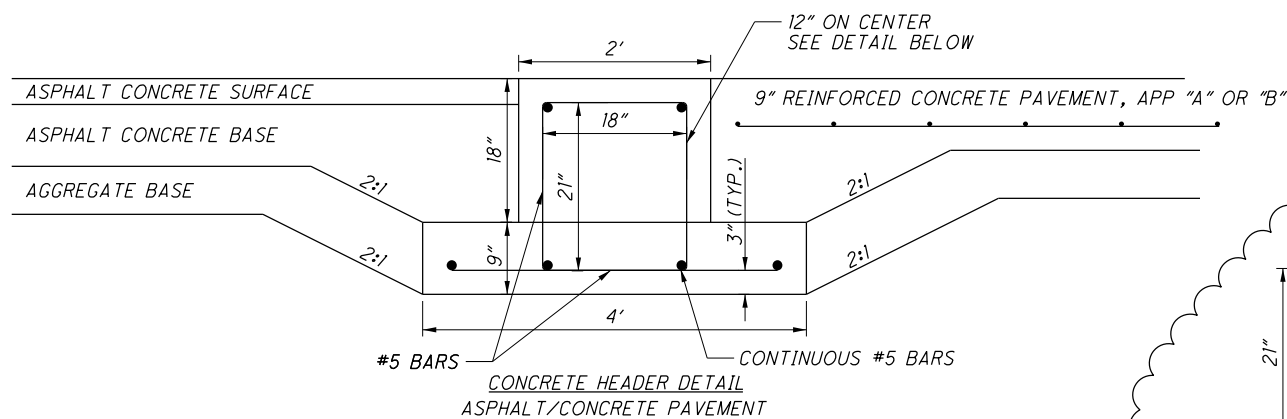
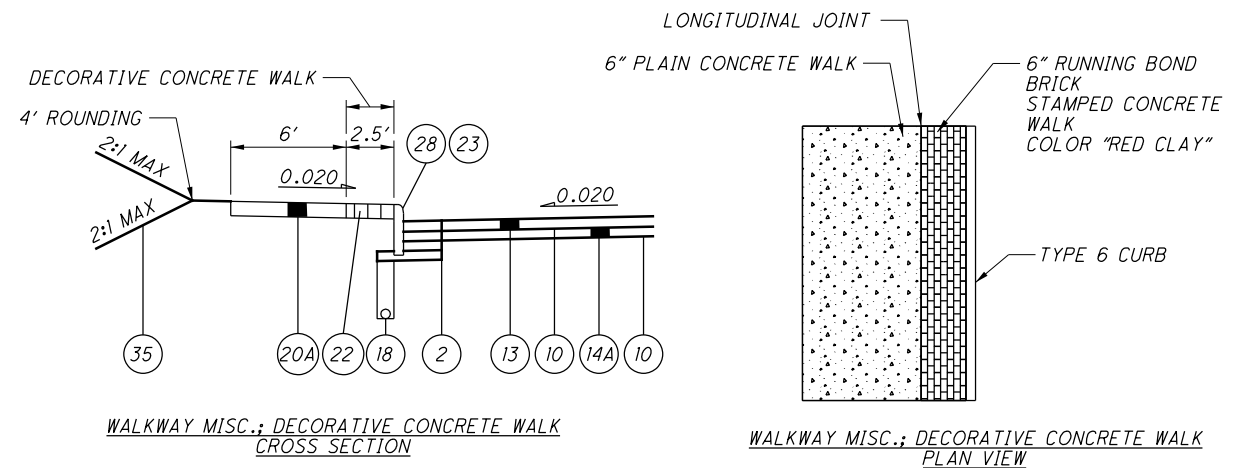


ITEM 608 - WALKWAY MISC.; DECORATIVE CONCRETE WALK

THE CONTRACTOR IS TO CONSTRUCT, IN THE LOCATIONS NOTED IN THE TYPICAL SECTIONS AND THE PLAN SHEETS, A RUNNING BOND BRICK STAMPED CONCRETE WALK. THE COLOR SHALL BE "RED CLAY".

THE 8" DECORATIVE WALK SHALL BE USED FOR THE ROUNDABOUT TRUCK APRON.

THE 6" SHALL BE USED FOR THE TREE LAWN/UTILITY STRIP BETWEEN THE BACK OF CURB AND THE PROPOSED CONCRETE WALK.



NOTE: FOR PROPOSED LEGEND, SEE SHEET 20

I:\Projects\Main_Broadway\Roadway\Sheets\77269GA007.DGN 5/15/2016 10:48:25 AM kyle_koppes

REV. BY	DATE	DESCRIPTION
KMK	5/15/16	HEADER DIMENSION REVISED TO 24"
KMK	5/15/16	#5 BENDS DETAIL REVISED

CALCULATED
 AWF
 CHECKED
 PHF

MISC. DETAILS - DECORATIVE CONCRETE PAVEMENT

SUM-76-10.00

801
 1822

DESCRIPTION

THIS ITEM SHALL CONSIST OF CONSTRUCTING A FULL-DEPTH CAST-IN-PLACE DECORATIVE CONCRETE PAVEMENT HAVING INTEGRALLY MIXED COLOR DYES AND A COLOR-HARDENED AND IMPRINTED SURFACE USING SPECIFIED MATERIALS, PROCEDURES, AND WORKMANSHIP ON A PREPARED SUB-BASE AS DESIGNATED ON THE PLAN SHEET SET AND AS DIRECTED BY THE ENGINEER.

THE MATERIALS AND PROCEDURES SHALL CONFORM TO CURRENT SPECIFICATIONS ISSUED BY THE BOMANITE CORPORATION. SYMONS AND INCRETE ARE ALTERNATE APPROVED SYSTEMS.

CONTACT INFORMATION:

BOMANITE CORPORATION
232 S. SCHOONER AVENUE
MADERA, CA 93637
(559) 673-2411 - PHONE
(559) 673-8246 - FAX
BOMANITE@BOMANITE.COM
WWW.BOMANITE.COM

LOCAL CONTACTS:
BOMANITE DESIGNS, INC.
6001 PINECONE DRIVE
MENTOR, OH 44060
(440) 350-3900 - PHONE
(440) 350-0035 - FAX
WWW.BOMANITDESIGNS.COM
C/O TIMOTHY J. BASLER

DAYTON SUPERIOR CORPORATION
7777 WASHINGTON VILLAGE DR.,
SUITE 130
DAYTON, OH 45459
(877) 632-9866 - PHONE
(937) 428-6360 - FAX
INFO@DAYTONSUPERIOR.COM
WWW.DAYTONSUPERIOR.COM

SYMONS
600 SEASONS RD
STOW, OH 44060
(330) 689-9999 - PHONE
(330) 689-7123 - FAX
WWW.SYMONS.COM
INFO@SYMONS.COM

INCRETE SYSTEMS
1611 GUNN HIGHWAY
ODESSA, FL 33556
(800) 752-4626 - PHONE
(813) 920-0826 - FAX
SALES@INCRETE.COM
WWW.INCRETE.COM

INCRETE SYSTEMS
1611 GUNN HIGHWAY
ODESSA, FL 33556
(800) 752-4626 - PHONE
(813) 920-0826 - FAX
SALES@INCRETE.COM
WWW.INCRETE.COM

THE WORKMANSHIP SHALL COMPLY WITH QUALITY STANDARDS SET FORTH BY THE BOMANITE CORPORATION.

THE WORK SHALL BE COMPLETED BY A LICENSED INSTALLER WHO HAS BEEN TRAINED AND EQUIPPED BY THE MANUFACTURER, UNLESS OTHERWISE NOTED.

SYMONS AND INCRETE ARE ALTERNATE APPROVED SYSTEMS

SCOPE OF WORK

THIS ITEM SHALL INCLUDE, BUT NOT LIMITED TO, FURNISHING AND INSTALLING, APPLYING, OR PERFORMING:

- A. EXPANSION MATERIAL, MAY BE BY OTHER QUALIFIED CONTRACTOR.
- B. FIBER REINFORCED CONCRETE WITH INTEGRAL COLOR DYES TO PRODUCE A SPECIFIED COLOR.
- C. COLOR HARDENERS OF SPECIFIED COLORS.
- D. COLOR RELEASE AGENTS OF SPECIFIED COLORS.
- E. IMPRINTING OF SPECIFIED PATTERNS.
- R. PRESSURE WASHING.
- G. SAWCUTTING.
- H. SEALER.
- I. REMOVAL OF ALL DEBRIS AND EXCESS MATERIAL FROM THE SITE, MAY BE BY OTHER QUALIFIED CONTRACTOR.

QUALITY ASSURANCE

THE CONTRACTOR SHALL SUBMIT WITH THEIR BID PACKAGE EVIDENCE THAT A QUALIFIED FOREMAN OR SUPERVISOR WILL BE ON-SITE TO OVERSEE THE DECORATIVE CONCRETE PAVEMENT OPERATION WITH THE FOLLOWING MINIMUM QUALIFICATIONS WHICH SHALL BE MET OR EXCEEDED IN ORDER FOR THEIR BID TO BE ACCEPTABLE:

- A. FIVE (5) YEARS EXPERIENCE WITH IMPRINTED AND TEXTURED CONCRETE.
- B. SUCCESSFULLY COMPLETED FIVE (5) IMPRINTED CONCRETE INSTALLATIONS AND REFERENCES TO THOSE INSTALLATIONS.
- C. MUST BE A LICENSED CONTRACTOR WHO HAS BEEN TRAINED AND EQUIPPED BY THE SELECTED SYSTEMS CORPORATION.

THE FIVE COMPLETED INSTALLATIONS SHALL BE OF HIGH-QUALITY, SIMILAR IN SCOPE TO THAT SPECIFIED HEREIN, AND WITHIN 100 MILES RADIUS OF THIS PROPOSED PROJECT SITE.

QUALITY ASSURANCE (CONT'D)

THE CONTRACTOR SHALL PROVIDE JOB SITE SAMPLE PADS OF MINIMUM 100 SQ. FT. FOR EACH COLOR AND IMPRINTING SCENARIO TO BE APPROVED BY THE ENGINEER PRIOR TO THE START OF THE DECORATIVE CONCRETE PAVEMENT CONSTRUCTION. ALL COLORS AND IMPRINTS SHALL BE SUBJECT TO CHANGE BY THE ENGINEER. THE APPROVED SAMPLE PADS SHALL BE THE STANDARD FOR THE BALANCE OF THE WORK AND PROTECTED AGAINST DAMAGE UNTIL COMPLETION OF THE DECORATIVE CONCRETE PAVEMENT AND FINAL APPROVAL BY THE ENGINEER.

CONSTRUCTION METHOD

FORMWORK SHALL BE OF METAL, UNLESS OTHERWISE PERMITTED BY THE ENGINEER, AND SHALL EXTEND THE FULL-DEPTH OF THE CONCRETE AND BE OF SUFFICIENT STRENGTH TO RESIST THE PRESSURE OF THE CONCRETE WITHOUT DEFLECTION. FORMWORK SHALL BE KEPT CLEAN AND SHALL BE OILED JUST BEFORE PLACING THE CONCRETE.

EXPANSION MATERIAL SHALL BE PLACED ADJACENT TO ALL CONCRETE CURBS AND CONCRETE HEADERS.

THE FINAL FINISHED SURFACE OF THE DECORATIVE CONCRETE PAVEMENT SHALL NOT BE MORE THAN 1/16 INCH ABOVE OR BELOW THE ADJACENT HARD SURFACES.

MATERIALS

THE MATERIALS SHALL BE AS DESIGNATED ON THE PLAN SHEET SET AND AS FURTHER DESIGNATED BELOW.

A. EXPANSION MATERIAL. EXPANSION MATERIAL SHALL BE CLOSED-CELL EXPANDED POLYETHYLENE FOAM PER 516 ADDENDUM.

B. CONCRETE. CONCRETE SHALL BE PER 451 WITH THE FOLLOWING EXCEPTIONS:

- 1. 451.09 - JOINTS: AS DETAILED IN THE PROPOSED POUR PLAN SUBMITTED TO MEET THE REQUIREMENTS OF SECTION 4 - CONSTRUCTION METHODS.
- 2. 451.10 - CONSOLIDATING AND FINISHING: THE CONCRETE SHALL BE PLACED AND SCREDED TO THE FINISHED GRADE, AND FLOATED TO A UNIFORM SURFACE USING STANDARD FINISHING TECHNIQUES.

THE CONTRACTOR MAY SUBMIT AN ALTERNATE DECORATIVE CONCRETE MIX DESIGN TO THE ENGINEER BEFORE PLACING CONCRETE. THE ALTERNATE CONCRETE MIX DESIGN SHALL BE APPROVED IN WRITING BY THE ENGINEER PRIOR TO THE PLACING OF ANY DECORATIVE CONCRETE. INCLUDE THE FOLLOWING INFORMATION FOR EACH CONCRETE MIX DESIGN:

- 1. TYPE AND GRADATION OF FINE AND COURSE AGGREGATES.
- 2. PROPORTIONS OF ALL INGREDIENTS, INCLUDING ADMIXTURES ADDED EITHER AT TIME OF BATCHING OR ON THE JOB SITE.
- 3. CEMENT RATIO.
- 4. WATER-CEMENT RATIO.
- 5. UNIT WEIGHT OF CONCRETE.
- 6. NOMINAL SLUMP RANGE AND MAXIMUM SLUMP.
- 7. STRENGTH AT 4, 7, AND 28 DAYS.

C. INTEGRAL COLOR DYE. INTEGRAL COLOR DYE SHALL BE RED CLAY (BOMANITE CORPORATION COLOR CHART) FOR THE STAMPED BRICK.

D. COLOR HARDENER. COLOR HARDENER SHALL BE HEAVY DUTY GRADE

COLOR HARDENER SHALL BE APPLIED EVENLY TO THE SURFACE OF THE FRESH CONCRETE BY THE DRY-SHAKE METHOD USING A MINIMUM OF 60 POUNDS PER 100 SQ. FT. IT SHALL BE APPLIED IN TWO (2) OR MORE SHAKES, FLOATED AFTER EACH SHAKE, AND TROWELED ONLY AFTER THE FINAL FLOATING.

E. COLOR RELEASE AGENT. COLOR RELEASE AGENT SHALL BE LIQUID.

COLOR RELEASE AGENT SHALL BE APPLIED EVENLY TO THE TROWELED SURFACE PRIOR TO IMPRINTING.

F. IMPRINTING TOOL. IMPRINTING TOOL SHALL BE RUNNING BOND BRICK, AS PER PLAN.

IMPRINTING TOOLS SHALL BE APPLIED WHILE THE CONCRETE IS IN THE PLASTIC STAGE OF SET.

G. SEALER. SEALER COLOR SHALL BE CLEAR PER PLAN.

SEALER SHALL BE APPLIED IMMEDIATELY AFTER COMPLETING THE IMPRINTING PROCESS.

COLOR CHART SHALL BE PROVIDED AS SHOP DRAWINGS FOR FURTHER COLOR SELECTIONS PRIOR TO CONSTRUCTION. SEVERAL MOCK UPS OF COLOR SELECTIONS MAY BE REQUESTED (10 SQ. FT.) AT NO ADDITIONAL COST.

METHOD OF MEASUREMENT

THIS PROVISION SHALL INCLUDE MEASUREMENT OF THE ACTUAL SQUARE YARDS OF DECORATIVE CONCRETE PAVEMENT CONSTRUCTED AND APPROVED. FINAL QUANTITIES WILL BE DETERMINED FROM THE ENGINEER'S FINAL MEASUREMENT.

BASIS OF PAYMENT

ALL COSTS TO PERFORM THE ABOVE STATED WORK INCLUDING ALL MATERIALS, EQUIPMENT, TOOLS, LABOR, AND ALL INCIDENTAL AND ASSOCIATED COSTS SHALL BE PAID FOR UNDER THE ITEM 451 - 9" REINFORCED CONCRETE PAVEMENT, CLASS OC1, AS PER PLAN (A) AND ITEM 451 - 9" REINFORCED CONCRETE PAVEMENT, CLASS OC1, AS PER PLAN (B).

CALCULATED
AWF
CHECKED
PHF

MISC. DETAILS - DECORATIVE CONCRETE PAVEMENT

SUM - 76 - 10.00

802
1822

KMK	5/15/16	APP REFERENCE REVISED FROM "B" TO "A" AND "C" TO "B"
REV. BY	DATE	DESCRIPTION
DATE COMPLETED		

I:\Projects\Main_Broadway\Roadway\Sheets\7269GA008a.DGN 5/15/2016 10:55:21 AM kyle_koppes