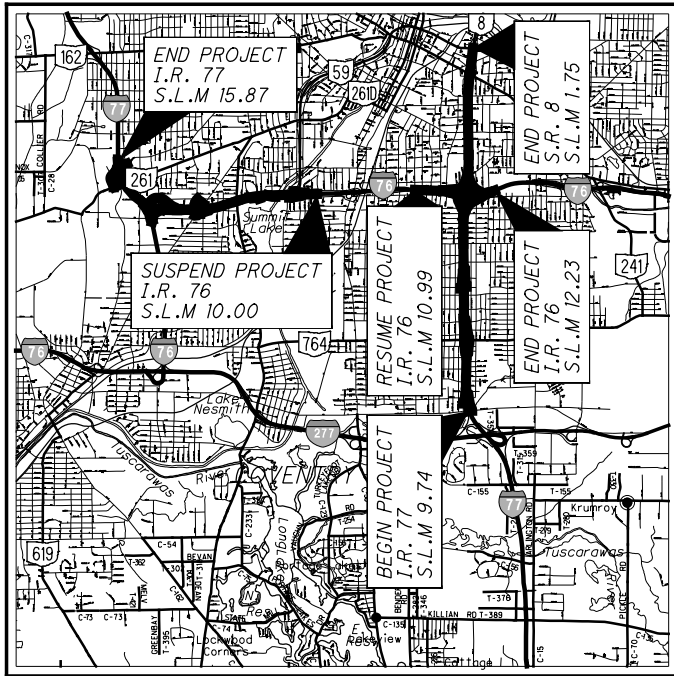


pw:\VANVAOPWINTO\parsons.com:Ohio State\Documents\DB-Akron Beltway Rehab\0 - Design\102329\Roadway\Sheets\BU-27\102329_GT001_BU-27.dgn Sheet 11/5/2021 3:30:36 PM p008992f

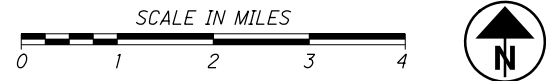
Released for Construction
 Thomas J Powell, PE
 11/10/2021

ISSUE RECORD:		
NO.	DATE	DESCRIPTION



LOCATION MAP

LATITUDE: 41° 03' 43" LONGITUDE: 81° 30' 17"



- PORTION TO BE IMPROVED -----
- INTERSTATE HIGHWAY -----
- FEDERAL ROUTES -----
- STATE ROUTES -----
- COUNTY & TOWNSHIP ROADS -----
- OTHER ROADS -----

DESIGN DESIGNATION

SEE ROADWAY PLANS

DESIGN EXCEPTIONS

SEE ROADWAY PLANS

UNDERGROUND UTILITIES
 Contact Two Working Days
 Before You Dig

OHIO811, 8-1-1, or 1-800-362-2764
 (Non-members must be called directly)

PLAN PREPARED BY:

ENGINEERS SEAL:

SIGNED: *James F. Mitchell*
 DATE: 11/5/2021

STATE OF OHIO
 DEPARTMENT OF TRANSPORTATION

SUM-76-8.24
SUM-77-9.74
SUM-8-0.00

CITY OF AKRON
SUMMIT COUNTY

INDEX OF SHEETS:

TITLE SHEET	1
REMOVAL PLAN - I.R. 77	2-6

STANDARD CONSTRUCTION DRAWINGS				SUPPLEMENTAL SPECIFICATIONS	SPECIAL PROVISIONS

PROJECT DESCRIPTION

PAVEMENT REPLACEMENT OVER SUM - I.R. 76 FROM S.L.M. 8.24 TO 10.00, SUM - 77 FROM S.L.M. 9.74 TO 11.54, AND SUM - 8 FROM S.L.M. 0.00 TO 1.75. COVERS THE "SOUTH LEG" AND "WEST LEG", INCLUDES REHABILITATION OF SEVERAL STRUCTURES IN THE CITY OF AKRON, SUMMIT COUNTY, OHIO.

LIMITED ACCESS

THIS IMPROVEMENT IS ESPECIALLY DESIGNED FOR THROUGH TRAFFIC AND HAS BEEN DECLARED A LIMITED ACCESS HIGHWAY OR FREEWAY BY ACTION OF THE DIRECTOR IN ACCORDANCE WITH THE PROVISIONS OF SECTION 5511.02 OF THE OHIO REVISED CODE.

2019 SPECIFICATIONS

THE STANDARD SPECIFICATIONS OF THE STATE OF OHIO, DEPARTMENT OF TRANSPORTATION, INCLUDING SUPPLEMENTAL SPECIFICATIONS LISTED IN THE PLANS AND CHANGES LISTED IN THE PROPOSAL SHALL GOVERN THIS IMPROVEMENT.

BU-27
REMOVALS
 I-77 at Waterloo Rd. to
 I-77 at Lafollette St.
RELEASED FOR CONSTRUCTION
 November 5, 2021

FEDERAL PROJECT NO. **E180(428)**
 PID NO. **102329**
 CONSTRUCTION PROJECT NO. **21-3000**
 RAILROAD INVOLVEMENT **NONE**
 2021-11-05-BU 27 - RFC Plans
SUM-76 / 77 / 8-8.24 / 9.74 / 0.00

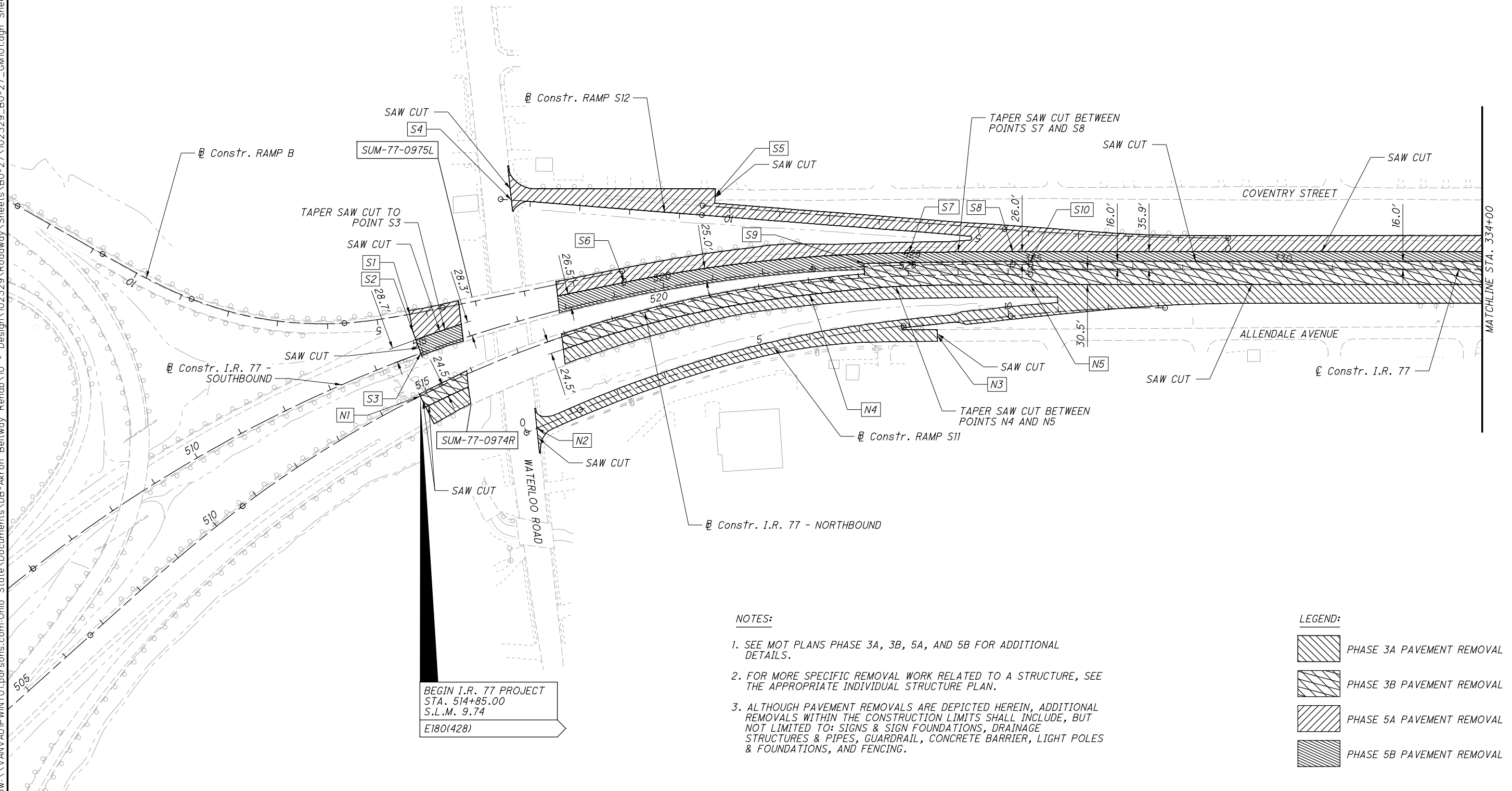
Released for Construction
 Thomas J Powell, PE
 11/10/2021

ISSUE RECORD:		
NO.	DATE	DESCRIPTION

CALCULATED SRB CHECKED JFM

0 50 100 200
 HORIZONTAL SCALE IN FEET

- | | |
|---|---|
| N1 STA. 514+85.00±, 0' RT (I.R. 77 - NORTHBOUND) | S1 STA. 4+34.20±, 0' LT (RAMP B) |
| N2 STA. 0+22.46 (RAMP S11) | S2 STA. 4+34.20, 35.3' LT (RAMP B) |
| N3 STA. 8+53.81 (RAMP S11) | S3 STA. 514+95.00±, 0' LT (I.R. 77 - SOUTHBOUND) |
| N4 STA. 523+00.00±, 24.5' RT (I.R. 77 - NORTHBOUND) | S4 STA. 14+38.09± (RAMP S12) |
| N5 STA. 527+44.42±, 30.5' RT (I.R. 77) | S5 STA. 10+55.46± (RAMP S12) |
| | S6 STA. 519+24.52±, 25.0' LT (I.R. 77 - SOUTHBOUND) |
| | S7 STA. 524+94.02±, 25.0' LT (I.R. 77) |
| | S8 STA. 527+01.38±, 26.0' LT (I.R. 77 - SOUTHBOUND) |
| | S9 STA. 524+03.50±, 5.8' LT (I.R. 77 - SOUTHBOUND) |
| | S10 STA. 527+36.62±, 6.1' LT (I.R. 77 - SOUTHBOUND) / STA. 324+94.56±, 16.0' LT (I.R. 77) |



NOTES:

- SEE MOT PLANS PHASE 3A, 3B, 5A, AND 5B FOR ADDITIONAL DETAILS.
- FOR MORE SPECIFIC REMOVAL WORK RELATED TO A STRUCTURE, SEE THE APPROPRIATE INDIVIDUAL STRUCTURE PLAN.
- ALTHOUGH PAVEMENT REMOVALS ARE DEPICTED HEREIN, ADDITIONAL REMOVALS WITHIN THE CONSTRUCTION LIMITS SHALL INCLUDE, BUT NOT LIMITED TO: SIGNS & SIGN FOUNDATIONS, DRAINAGE STRUCTURES & PIPES, GUARDRAIL, CONCRETE BARRIER, LIGHT POLES & FOUNDATIONS, AND FENCING.

LEGEND:

- PHASE 3A PAVEMENT REMOVAL
- PHASE 3B PAVEMENT REMOVAL
- PHASE 5A PAVEMENT REMOVAL
- PHASE 5B PAVEMENT REMOVAL

REMOVAL PLAN - I.R. 77
 BEGIN I.R. 77 PROJECT TO STA. 334+00

2021-11-05-BU 27 - RFC Plans
 SUM-76 / 77 / 8-
 8.24 / 9.74 / 0.00
 2
 6

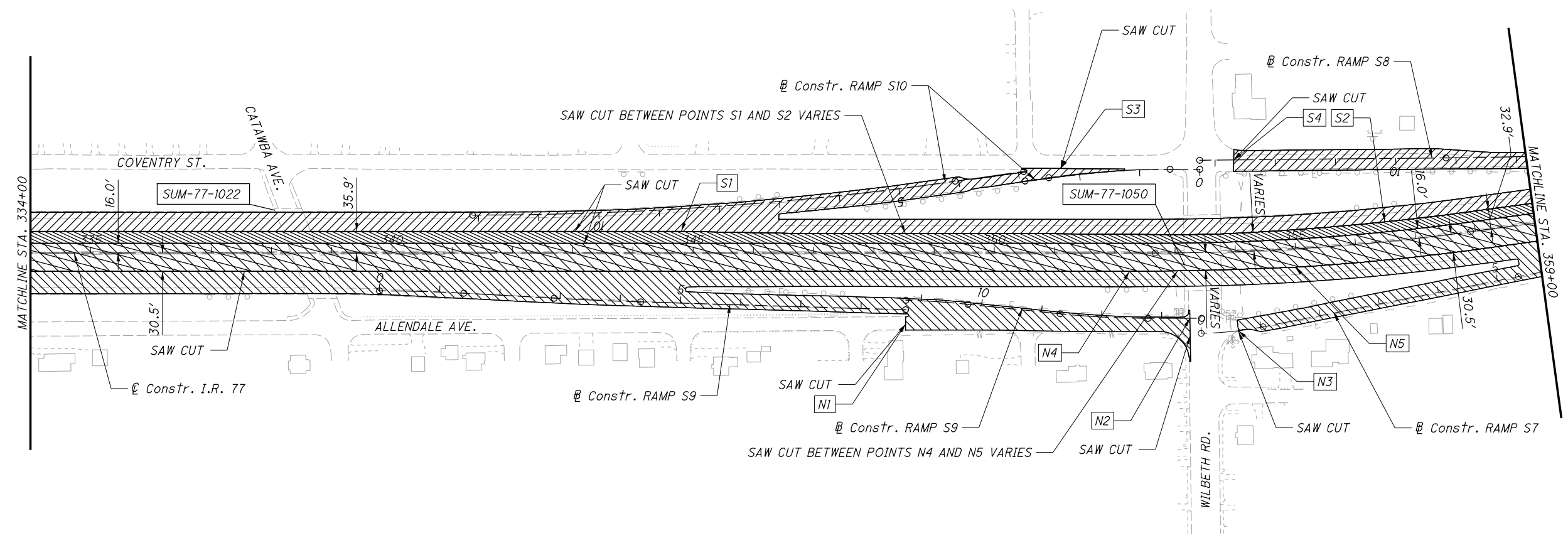
- N1 STA. 8+73.94 (RAMP S9)
- N2 STA. 13+46.81 (RAMP S9)
- N3 STA. 0+62.09 (RAMP S7)
- N4 STA. 352+24.31±, 30.5 RT. (I.R. 77)
- N5 STA. 354+97.62±, 30.5 RT. (I.R. 77)
- S1 STA. 344+80.36±, 35.9' LT (I.R. 77)
- S2 STA. 356+52.11±, 32.9' LT (I.R. 77)
- S3 STA. 1+25.00±, 2.0' RT TO STA. 2+93.46±, 6.0' RT (RAMP S10 ALONG COVENTRY ST.)
- S4 STA. 12+68.82 (RAMP S8)

Released for Construction
 Thomas J Powell, PE
 11/10/2021

ISSUE RECORD:		
NO.	DATE	DESCRIPTION

CALCULATED SRB CHECKED JFM

HORIZONTAL SCALE IN FEET



NOTES:

1. SEE MOT PLANS PHASE 3A, 3B, 5A, AND 5B FOR ADDITIONAL DETAILS.
2. FOR MORE SPECIFIC REMOVAL WORK RELATED TO A STRUCTURE, SEE THE APPROPRIATE INDIVIDUAL STRUCTURE PLAN.
3. ALTHOUGH PAVEMENT REMOVALS ARE DEPICTED HEREIN, ADDITIONAL REMOVALS WITHIN THE CONSTRUCTION LIMITS SHALL INCLUDE, BUT NOT LIMITED TO: SIGNS & SIGN FOUNDATIONS, DRAINAGE STRUCTURES & PIPES, GUARDRAIL, CONCRETE BARRIER, LIGHT POLES & FOUNDATIONS, AND FENCING.

LEGEND:

- PHASE 3A PAVEMENT REMOVAL
- PHASE 3B PAVEMENT REMOVAL
- PHASE 5A PAVEMENT REMOVAL
- PHASE 5B PAVEMENT REMOVAL

REMOVAL PLAN - I.R. 77
 STA. 334+00 TO STA. 359+00

2021-11-05-BU 27 - RFC Plans
 SUM-76 / 77 / 8-
 8.24 / 9.74 / 0.00

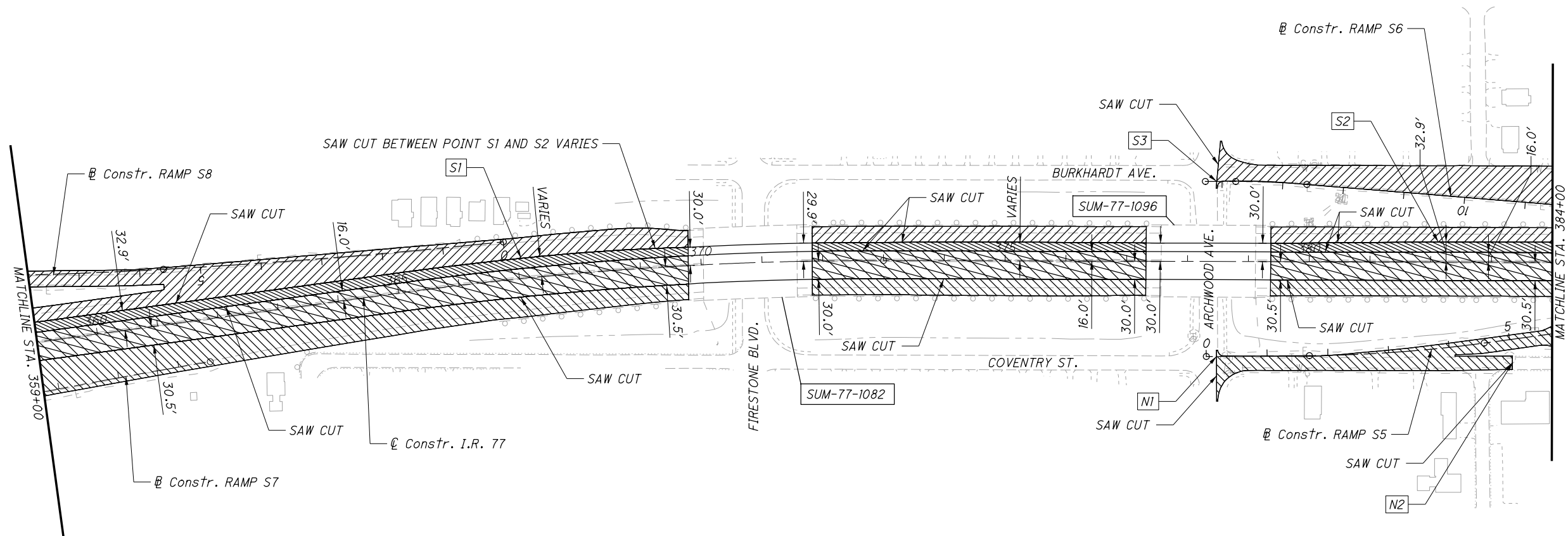
- N1 STA. 0+16.84 (RAMP S5)
- N2 STA. 4+99.68 (RAMP S5)
- S1 STA. 367+06.30±, 32.9' LT (I.R. 77)
- S2 STA. 382+12.21±, 32.9' LT (I.R. 77)
- S3 STA. 14+08.76 (RAMP S6)

Released for Construction
 Thomas J Powell, PE
 11/10/2021

ISSUE RECORD:		
NO.	DATE	DESCRIPTION

CALCULATED
 SRB
 CHECKED
 JFM

0 100 200
 HORIZONTAL
 SCALE IN FEET



NOTES:

- SEE MOT PLANS PHASE 3A, 3B, 5A, AND 5B FOR ADDITIONAL DETAILS.
- FOR MORE SPECIFIC REMOVAL WORK RELATED TO A STRUCTURE, SEE THE APPROPRIATE INDIVIDUAL STRUCTURE PLAN.
- ALTHOUGH PAVEMENT REMOVALS ARE DEPICTED HEREIN, ADDITIONAL REMOVALS WITHIN THE CONSTRUCTION LIMITS SHALL INCLUDE, BUT NOT LIMITED TO: SIGNS & SIGN FOUNDATIONS, DRAINAGE STRUCTURES & PIPES, GUARDRAIL, CONCRETE BARRIER, LIGHT POLES & FOUNDATIONS, AND FENCING.

LEGEND:

- PHASE 3A PAVEMENT REMOVAL
- PHASE 3B PAVEMENT REMOVAL
- PHASE 5A PAVEMENT REMOVAL
- PHASE 5B PAVEMENT REMOVAL

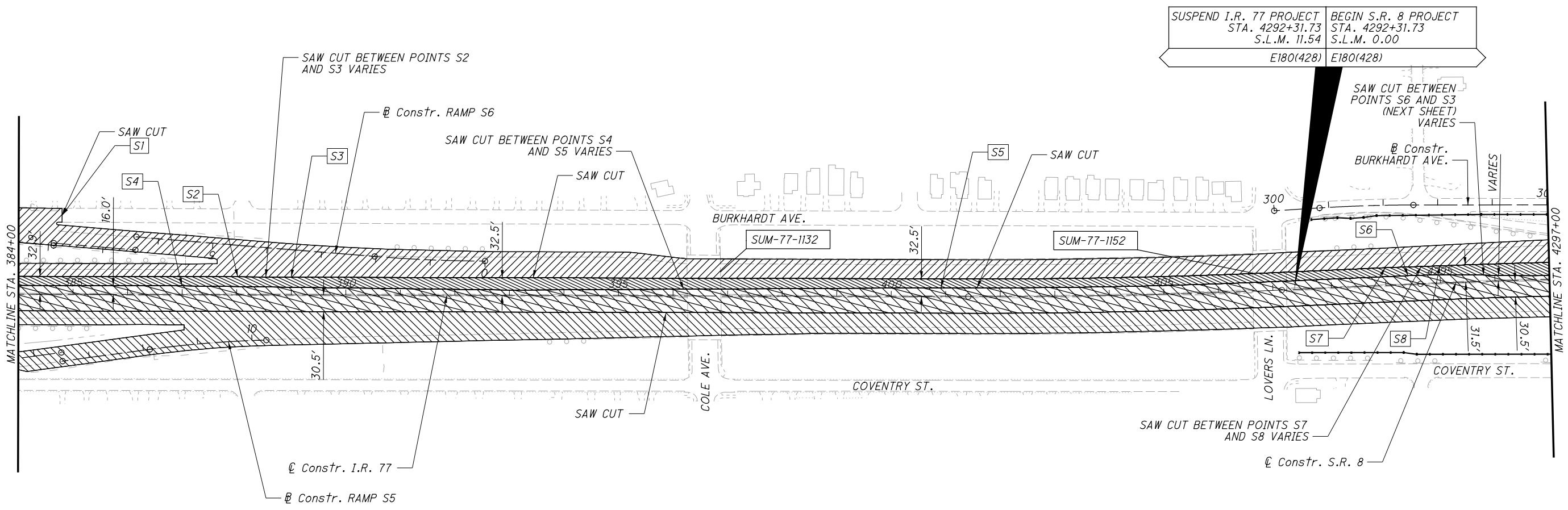
REMOVAL PLAN - I.R. 77
 STA. 359+00 TO STA. 384+00

Released for Construction
 Thomas J Powell, PE
 11/10/2021

ISSUE RECORD:		
NO.	DATE	DESCRIPTION



- S1 STA. 6+40.54 (RAMP S6)
- S2 STA. 388+01.63±, 32.9' LT (I.R. 77)
- S3 STA. 389+00.00±, 32.5' LT (I.R. 77)
- S4 STA. 386+99.60±, 16.0' LT (I.R. 77)
- S5 STA. 400+91.21±, 16.0' LT (I.R. 77)
- S6 STA. 4294+41.02±, 16.0' LT (S.R. 8)
- S7 STA. 4294+00.17±, 32.5' LT (S.R. 8)
- S8 STA. 4295+00.20±, 31.5' LT (S.R. 8)



SUSPEND I.R. 77 PROJECT
 STA. 4292+31.73
 S.L.M. 11.54
 E180(428)

BEGIN S.R. 8 PROJECT
 STA. 4292+31.73
 S.L.M. 0.00
 E180(428)

REMOVAL PLAN - I.R. 77 / S.R. 8
 STA. 384+00 TO STA. 4297+00

NOTES:

- SEE MOT PLANS PHASE 3A, 3B, 5A, AND 5B FOR ADDITIONAL DETAILS.
- FOR MORE SPECIFIC REMOVAL WORK RELATED TO A STRUCTURE, SEE THE APPROPRIATE INDIVIDUAL STRUCTURE PLAN.
- ALTHOUGH PAVEMENT REMOVALS ARE DEPICTED HEREIN, ADDITIONAL REMOVALS WITHIN THE CONSTRUCTION LIMITS SHALL INCLUDE, BUT NOT LIMITED TO: SIGNS & SIGN FOUNDATIONS, DRAINAGE STRUCTURES & PIPES, GUARDRAIL, CONCRETE BARRIER, LIGHT POLES & FOUNDATIONS, AND FENCING.

LEGEND:

- PHASE 3A PAVEMENT REMOVAL
- PHASE 3B PAVEMENT REMOVAL
- PHASE 5A PAVEMENT REMOVAL
- PHASE 5B PAVEMENT REMOVAL



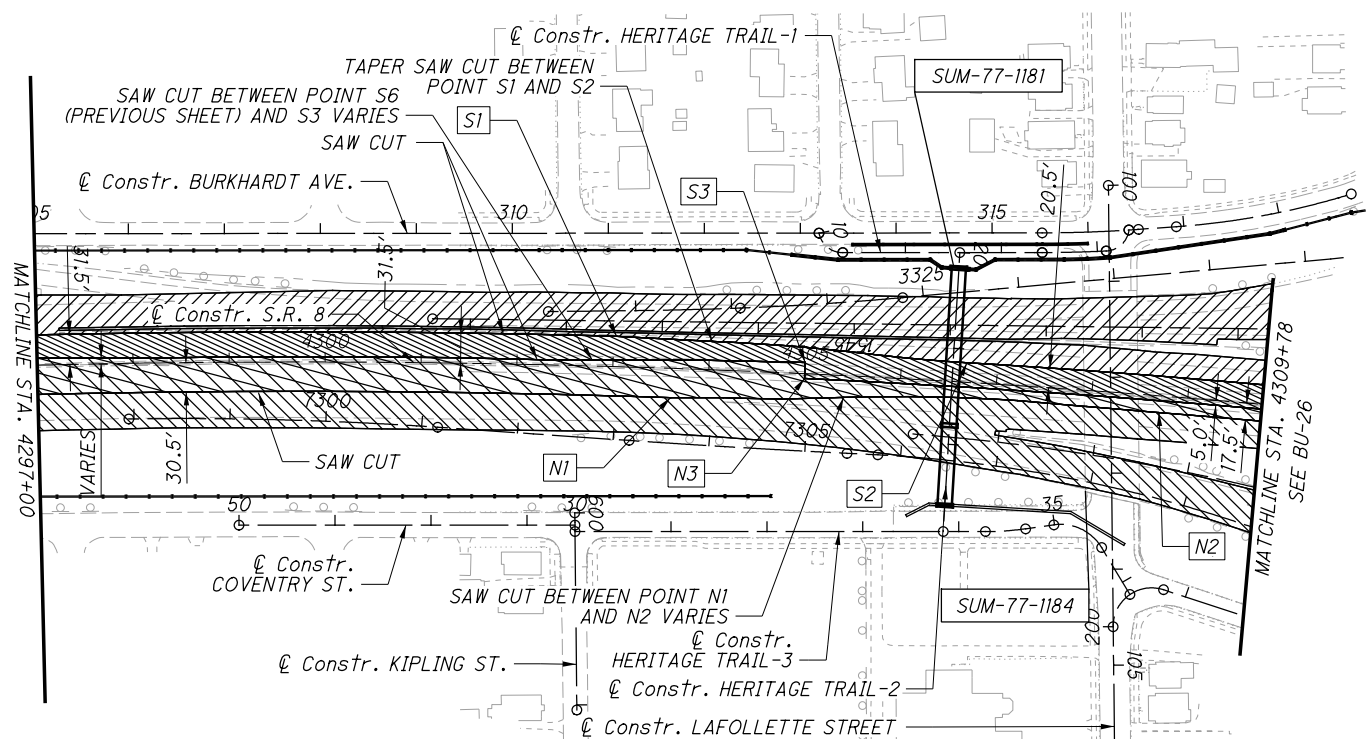
- N1 STA. 4303+61.04±, 30.5' RT (S.R. 8)
- N2 STA. 4308+71.34±, 17.5' RT (S.R. 8)
- N3 STA. 4305+00.00±, 5.0' RT (S.R. 8)
- S1 STA. 4303+02.80±, 31.5' LT (S.R. 8)
- S2 STA. 4306+68.19±, 20.5' LT (S.R. 8)
- S3 STA. 4305+00.00±, 11.7' LT (S.R. 8)

Released for Construction
 Thomas J Powell, PE
 11/10/2021

ISSUE RECORD:		
NO.	DATE	DESCRIPTION

CALCULATED SRB CHECKED JFM

HORIZONTAL SCALE IN FEET



NOTES:

- SEE MOT PLANS PHASE 3A, 3B, 5A, AND 5B FOR ADDITIONAL DETAILS.
- FOR MORE SPECIFIC REMOVAL WORK RELATED TO A STRUCTURE, SEE THE APPROPRIATE INDIVIDUAL STRUCTURE PLAN.
- ALTHOUGH PAVEMENT REMOVALS ARE DEPICTED HEREIN, ADDITIONAL REMOVALS WITHIN THE CONSTRUCTION LIMITS SHALL INCLUDE, BUT NOT LIMITED TO: SIGNS & SIGN FOUNDATIONS, DRAINAGE STRUCTURES & PIPES, GUARDRAIL, CONCRETE BARRIER, LIGHT POLES & FOUNDATIONS, AND FENCING.

LEGEND:

- PHASE 3A PAVEMENT REMOVAL
- PHASE 3B PAVEMENT REMOVAL
- PHASE 5A PAVEMENT REMOVAL
- PHASE 5B PAVEMENT REMOVAL