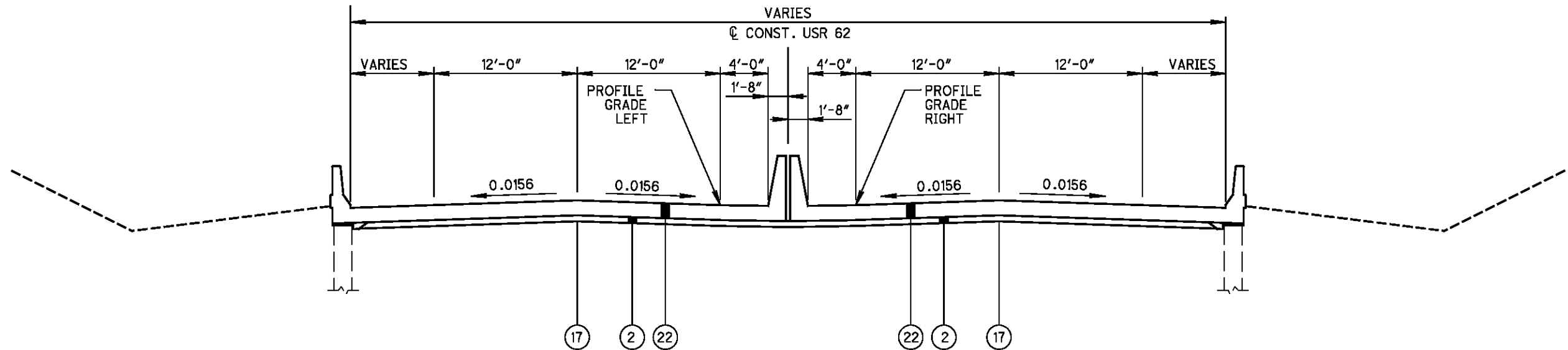
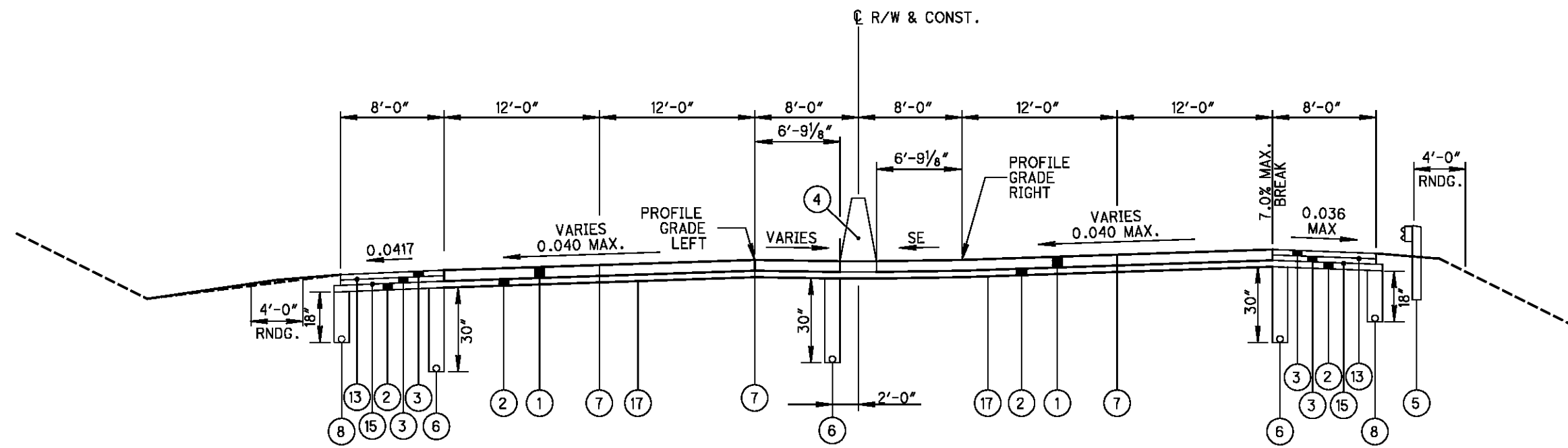


P:\PR51084\mah\24073\roadway\sheets\24073GY007.dgn 4/27/2012 8:43:43 AM pennoc



APPROACH SLAB TYPICAL SECTION

STA. 814+48.94± TO STA. 814+73.94± = 25.00'±
 STA. 835+87.02± TO STA. 836+12.02± = 25.00'±
 50.00'±



PROPOSED US 62

STA. 836+56.79 TO STA. 838+12.02 = 155.23 FT.
 155.23 FT.