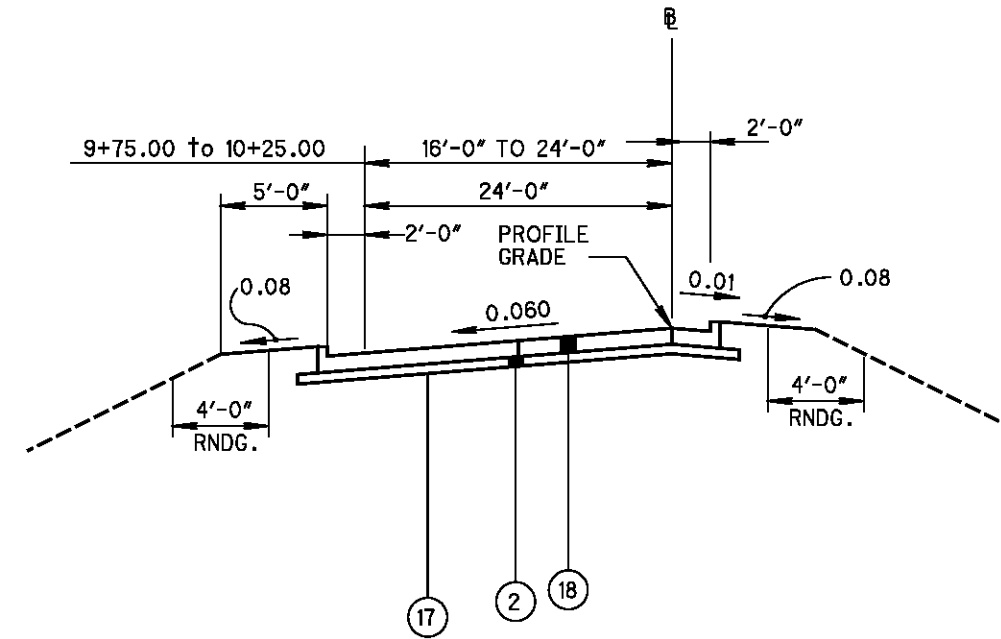
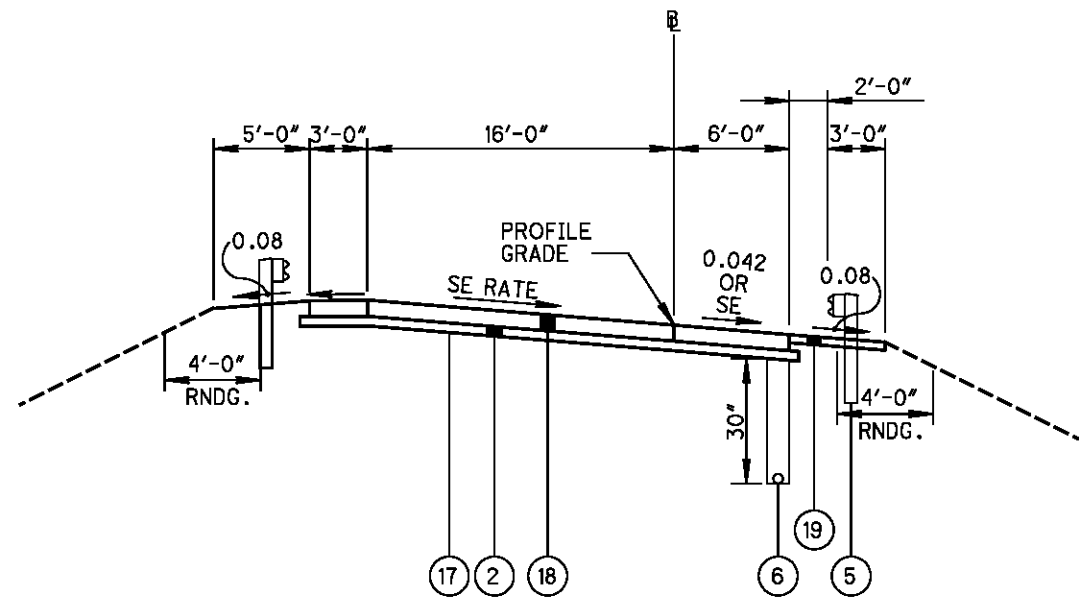


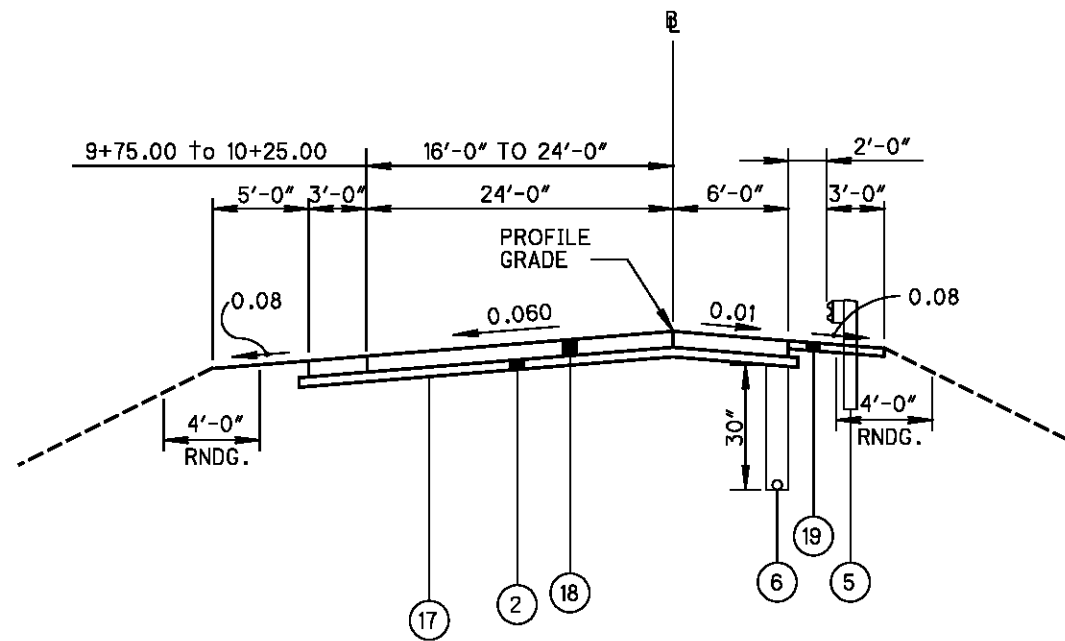
PROPOSED RAMP  
SUPERELEVATED SECTION  
RAMP BZ - STA. 2+15.00 TO STA. 4+89.57 = 274.57 FT.



PROPOSED RAMP  
SUPERELEVATED SECTION  
RAMP A - STA. 12+00.00 TO STA. 12+63.81 = 63.81 FT.



PROPOSED RAMP  
SUPERELEVATED SECTION  
RAMP A - STA. 3+10.61 TO STA. 9+75.00 = 664.39 FT.  
RAMP B - STA. 0+22.44 TO STA. 4+83.47 = 461.03 FT.  
1125.42 FT.



PROPOSED RAMP  
SUPERELEVATED SECTION  
RAMP A - STA. 9+75.00 TO STA. 12+00.00 = 225.00 FT.

P:\PR51084\mah\24073\roadway\sheets\24073GY008.dgn 4/27/2012 8:45:05 AM pemnoc