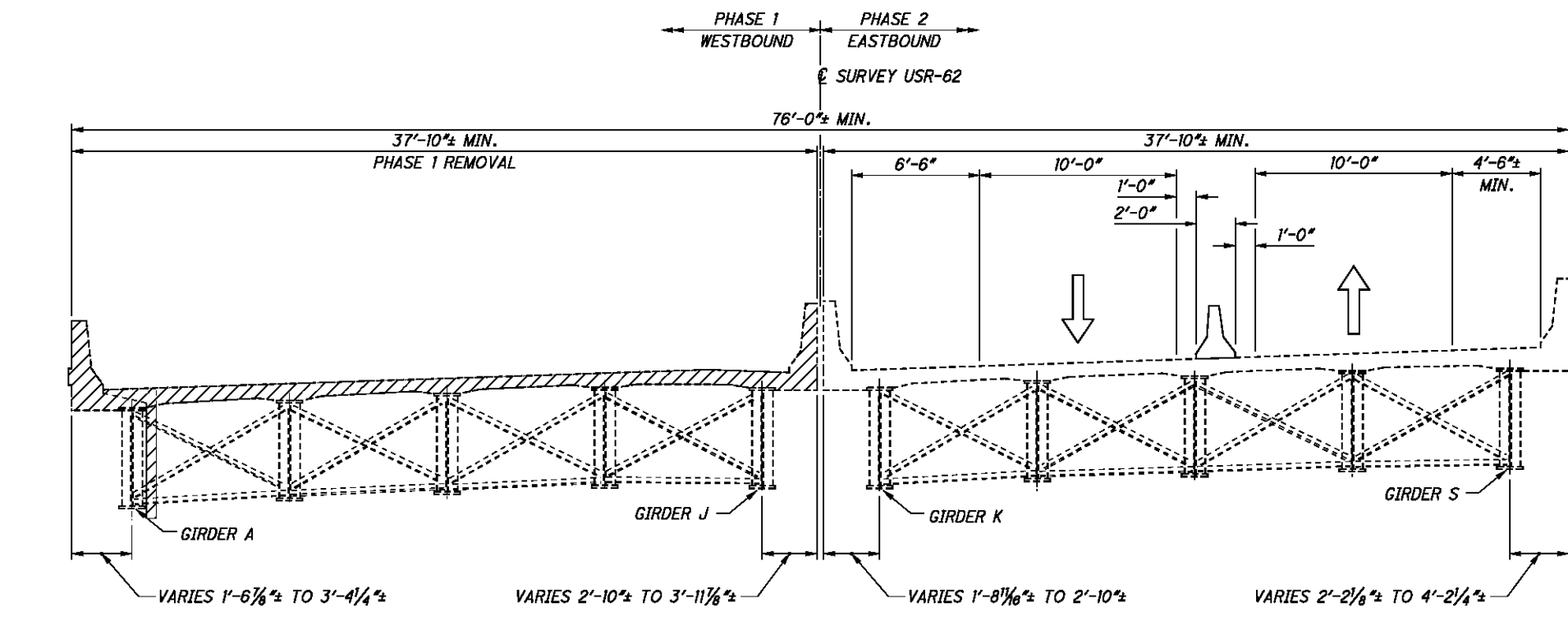
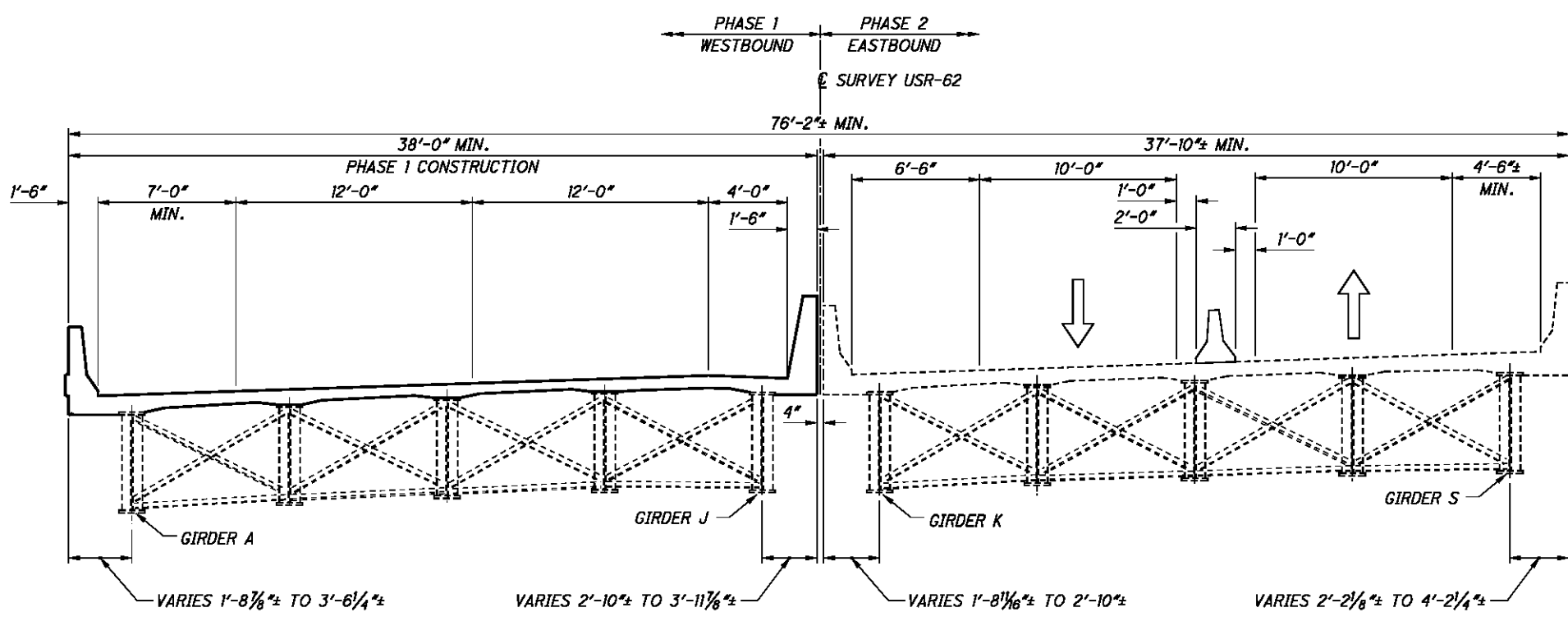


P:\PR51084\mah\24073\structures\MAH062_1825C\sheets\062_1825CPC001.dgn 4/26/2012 10:48:30 AM speck



PHASE 1 REMOVAL



PHASE 1 CONSTRUCTION

LEGEND:
 INDICATES AREAS TO BE REMOVED AS PER ITEM 202 - PORTIONS OF STRUCTURE REMOVED, AS PER PLAN

DESIGN AGENCY BURGESS & NIPLÉ 800 WEST ERIE STREET PAINESVILLE, OHIO 44071	
DESIGNED AKS	CHECKED JAA
DRAWN AKS	REVISIONS (None listed)
REVIEWED DWL	DATE 4-12
STRUCTURE FILE NUMBER 5008662	
PHASE CONSTRUCTION DETAILS 1 OF 2 BRIDGE NO. MAH-62-1825 USR-62 OVER THE MAHONING RIVER AND RAILROADS	
MAH-62-18.23 PID No. 24073	