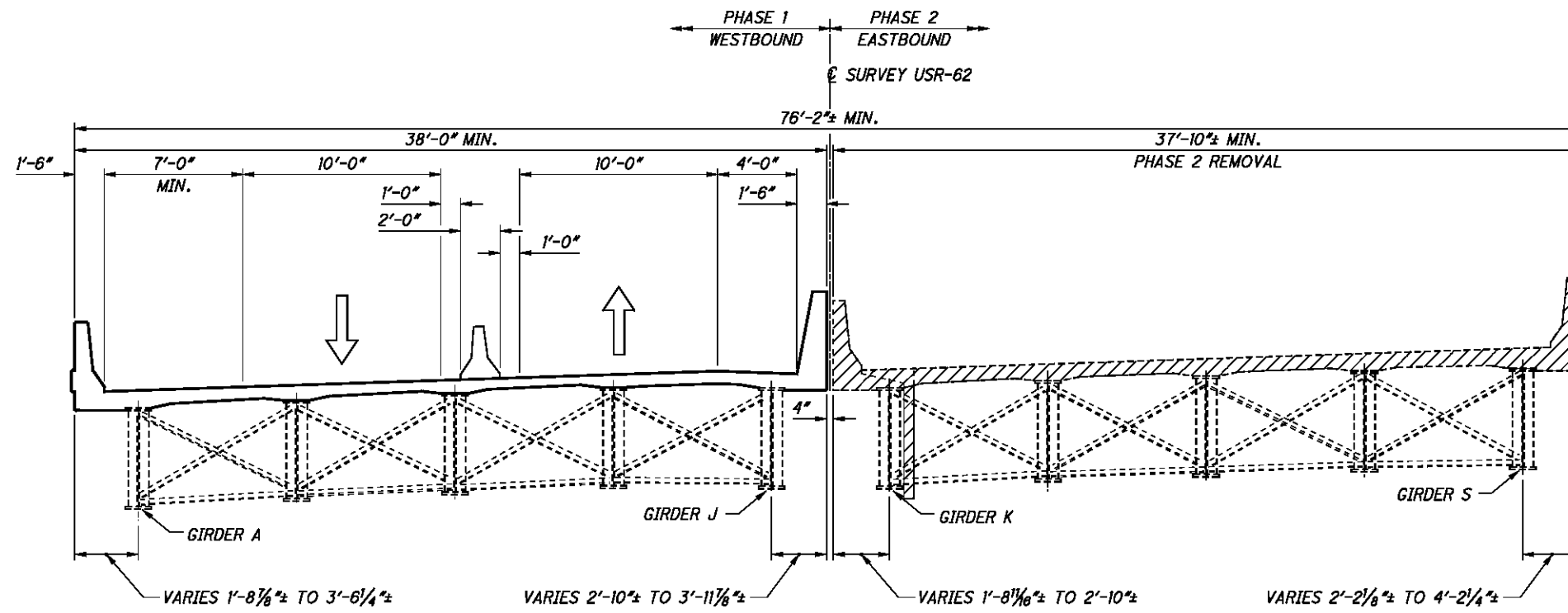
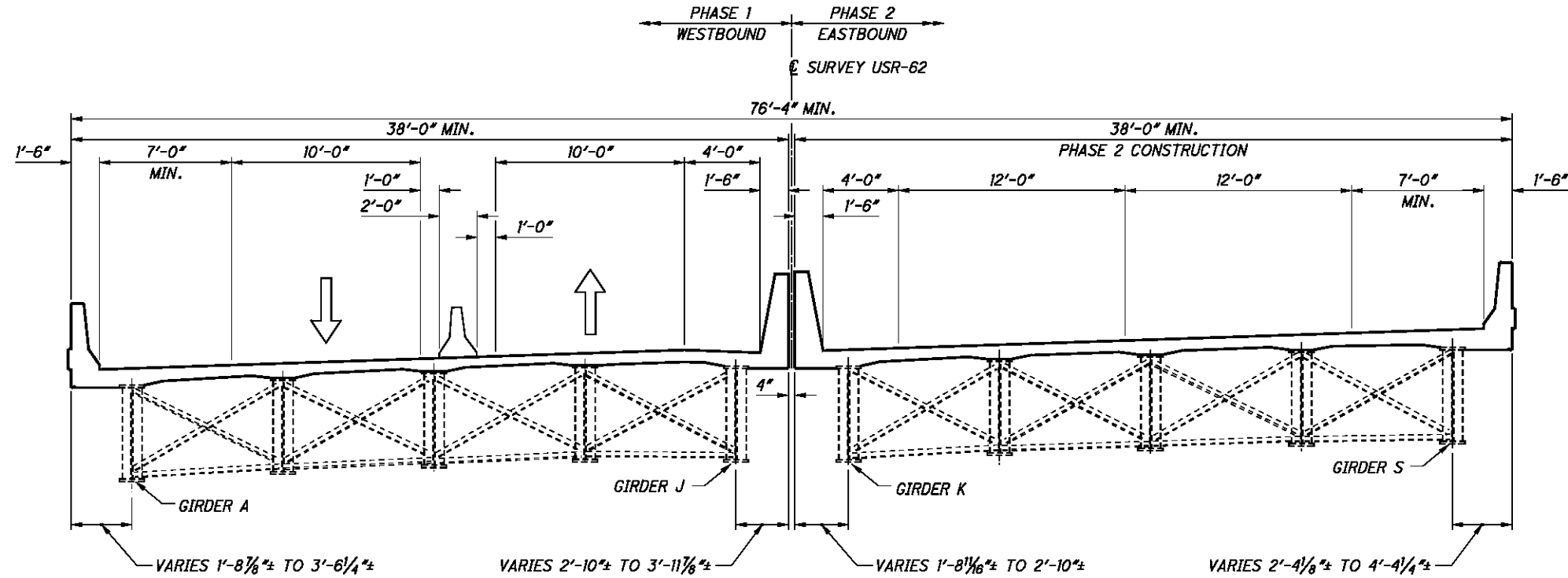


P:\PR51084\moh\24073\structures\MAH062\_1825C\sheets\062\_1825CPC002.dgn 4/26/2012 10:49:05 AM speck



**PHASE 2 REMOVAL**



**PHASE 2 CONSTRUCTION**

**LEGEND:**

INDICATES AREAS TO BE REMOVED AS PER ITEM 202 - PORTIONS OF STRUCTURE REMOVED, AS PER PLAN