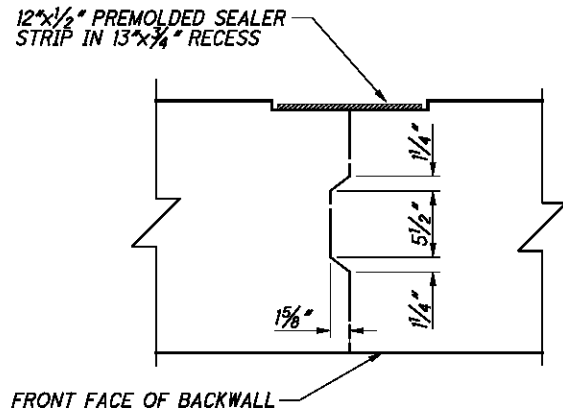
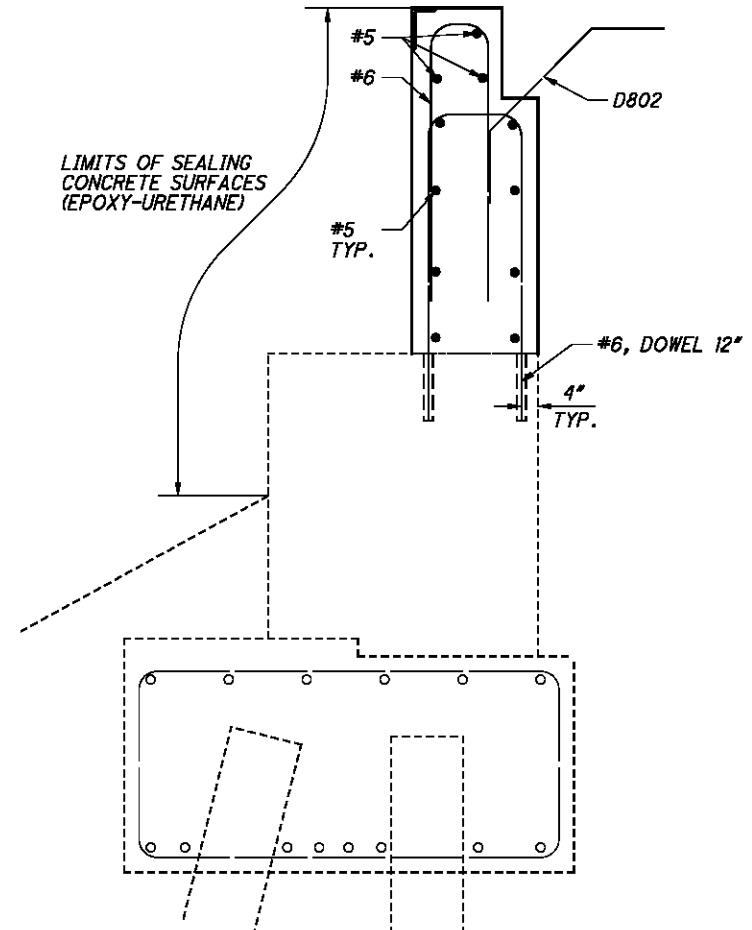


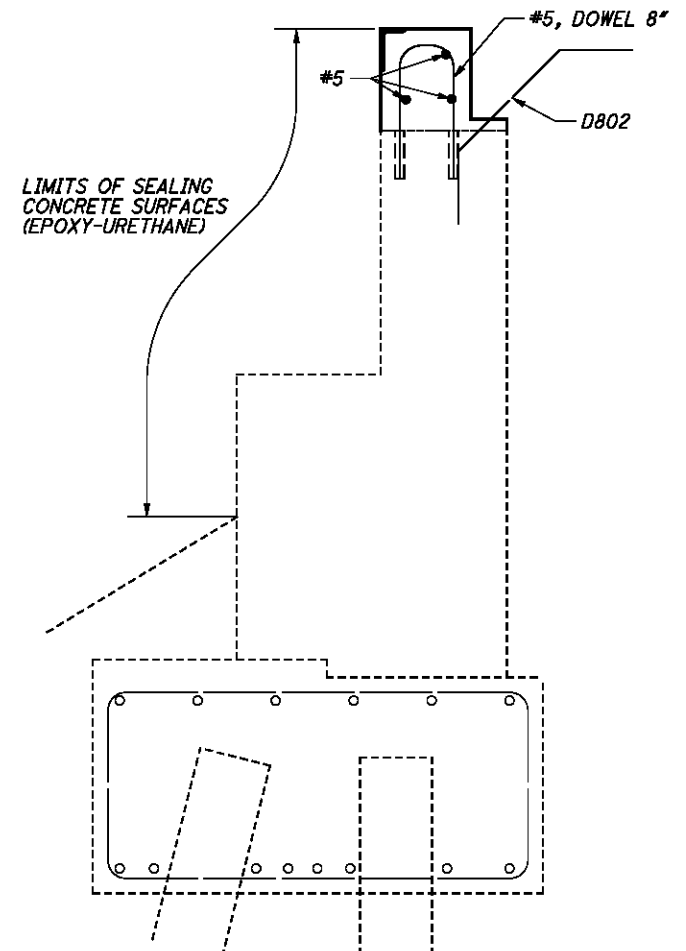
P:\PR51084\msh\24073\structures\MAH062_1825CA\003.dgn 4/26/2012 10:53:35 AM speck



CONTRACTION JOINT DETAIL



SECTION C-C
(FORWARD ABUTMENT)



SECTION D-D
(FORWARD ABUTMENT AT FILLET)

LEGEND:
TYP. = TYPICAL

DESIGN AGENCY
BURGESS & NIPLER
100 WEST ERIE STREET PAINESVILLE, OHIO 44071

DATE	4-12
REVIEWED	DWL
STRUCTURE FILE NUMBER	5008662
DRAWN	DCF
CHECKED	JAA

FORWARD ABUTMENT DETAILS
BRIDGE NO. MAH-62-1825
USR-62 OVER THE MAHONING RIVER AND RAILROADS

MAH-62-18.23
PID No. 24073

B10