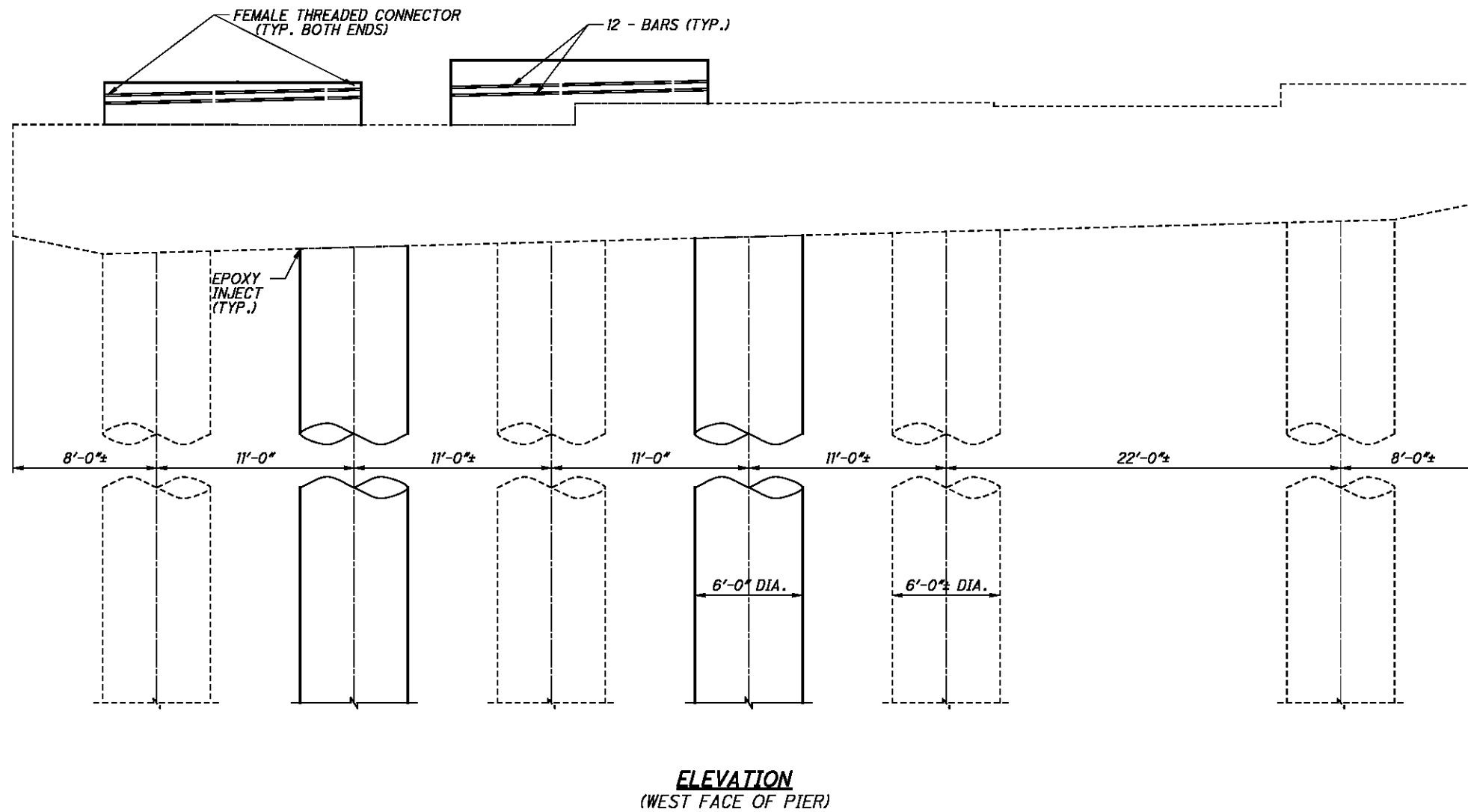
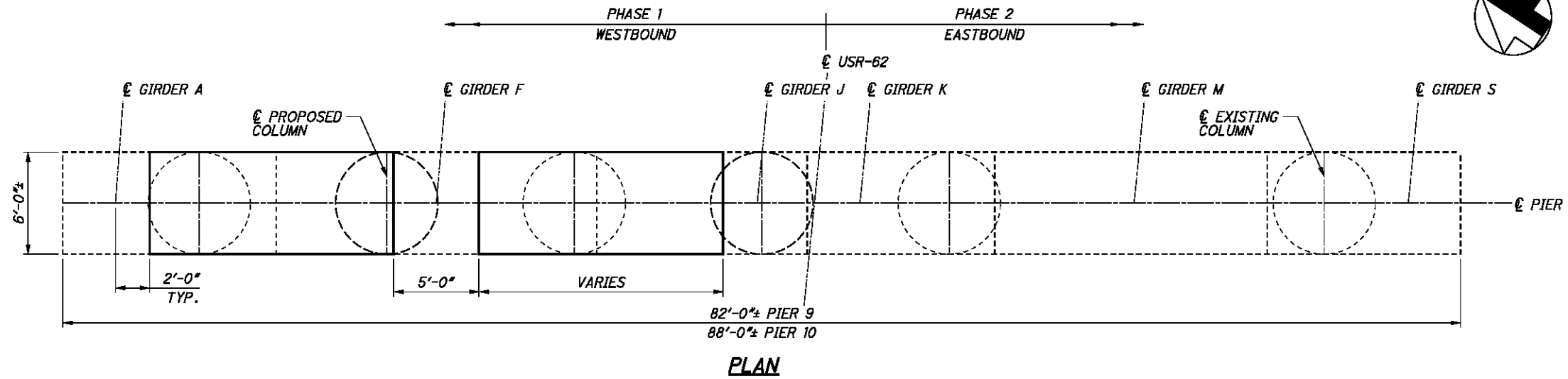


P:\PR51084\moh\24073\structures\MAH062_1825C\PI008.dgn 4/26/2012 10:55:35 AM speck



SEQUENCE OF OPERATIONS

1. ROUTE ALL TRAFFIC ONTO EASTBOUND BRIDGE AND REMOVE WESTBOUND DECK
2. INSTALL NORTH AND MIDDLE FOUNDATIONS AND COLUMNS
3. EPOXY INJECT JOINT BETWEEN COLUMNS AND CAP AFTER 30 DAYS
4. INSTALL REINFORCING STEEL & FORM WORK FOR CAP EXTENSIONS
5. PLACE CONCRETE CAP EXTENSIONS

NOTES:

STIRRUPS, DOWELS, SUPPLEMENTAL SEAT AND COLUMN REINFORCING STEEL NOT SHOWN

LEGEND:

DIA. = DIAMETER
TYP. = TYPICAL

PIERS 9 & 10 REHABILITATION PHASE 1A
BRIDGE NO. MAH-62-1825
USR-62 OVER THE MAHONING RIVER AND RAILROADS

MAH-62-18.23
PID No. 24073

DESIGN AGENCY
BURGESS & NIPLE
800 WEST ERIE STREET PAINESVILLE, OHIO 44017

DESIGNED	AKS	CHECKED	JAA
DRAWN	AKS	REVISED	
REVIEWED	DWL	DATE	4-12
STRUCTURE FILE NUMBER	5008662		

B11