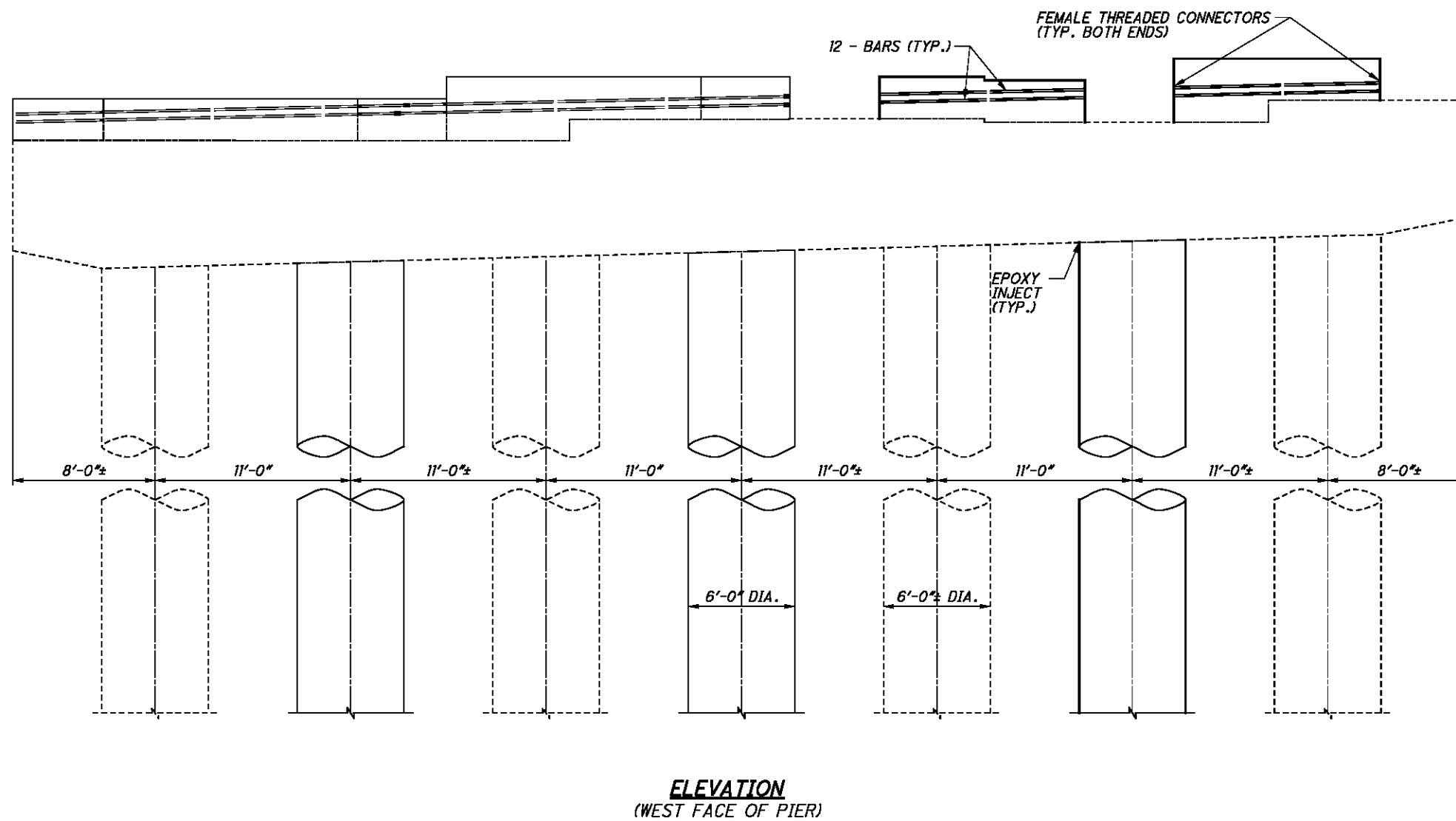
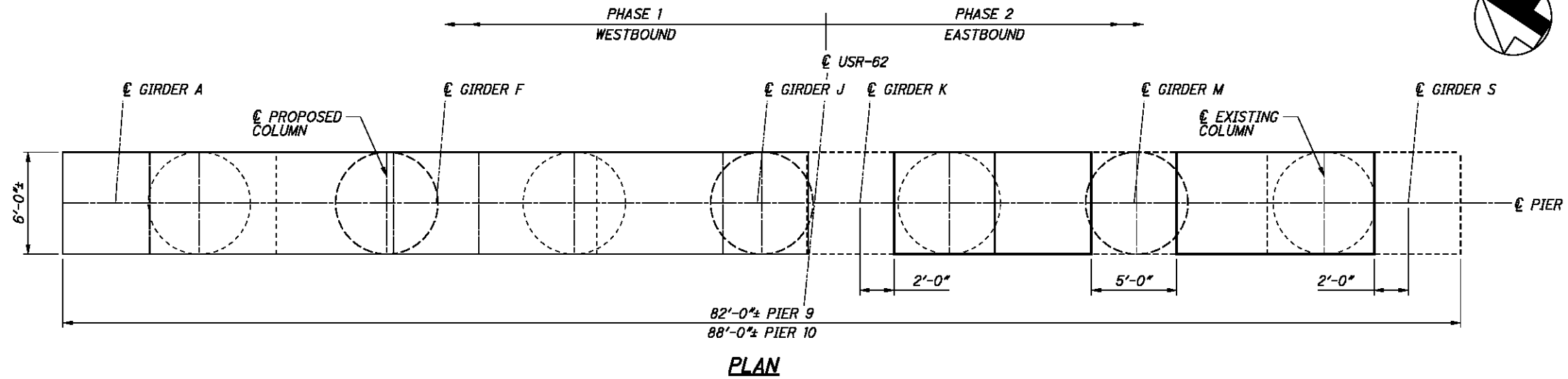


P:\PR51084\moh\24073\structures\MAH062_1825C\PI010.dgn 4/26/2012 10:56:40 AM speck



SEQUENCE OF OPERATIONS

1. ROUTE ALL TRAFFIC ONTO WESTBOUND BRIDGE AND REMOVE EASTBOUND DECK
2. INSTALL SOUTH FOUNDATION AND COLUMN
3. EPOXY INJECT JOINT BETWEEN COLUMN AND CAP AFTER 30 DAYS
4. INSTALL REINFORCING STEEL & FORM WORK FOR CAP EXTENSIONS
5. PLACE CONCRETE CAP EXTENSIONS

NOTES:

STIRRUPS, DOWELS, SUPPLEMENTAL SEAT AND COLUMN REINFORCING STEEL NOT SHOWN

LEGEND:

DIA. = DIAMETER
TYP. = TYPICAL

PIERS 9 & 10 REHABILITATION PHASE 2A
BRIDGE NO. MAH-62-1825
USR-62 OVER THE MAHONING RIVER AND RAILROADS

MAH-62-18.23
PID No. 24073

DESIGN AGENCY
BURGESS & NIPLER
100 WEST ERIE STREET PAINESVILLE, OHIO 44071

DATE 4-12
REVIEWED DWL
STRUCTURE FILE NUMBER 5008662

DESIGNED AKS
CHECKED JAA
DRAWN AKS
REVISED

B13