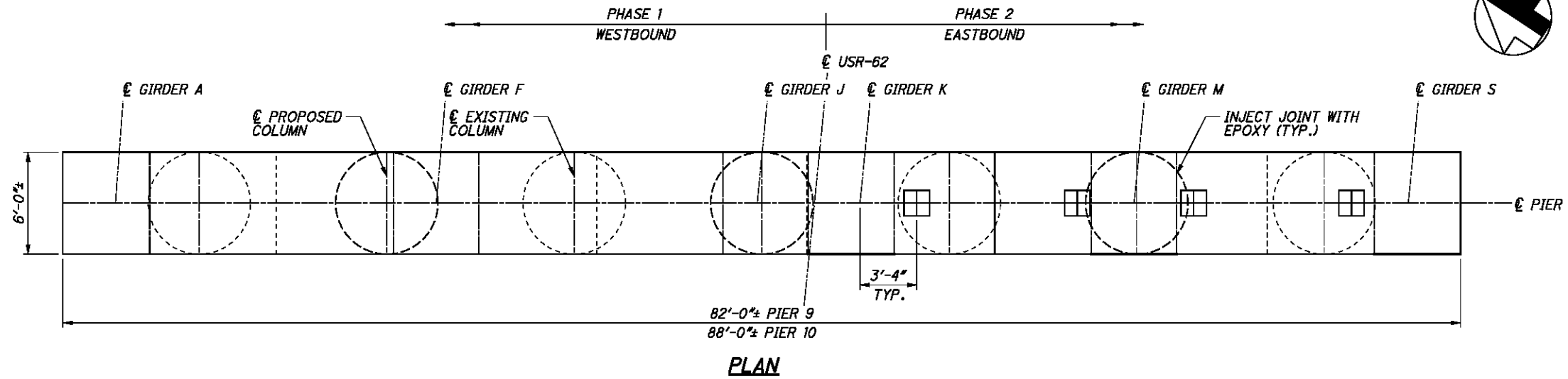
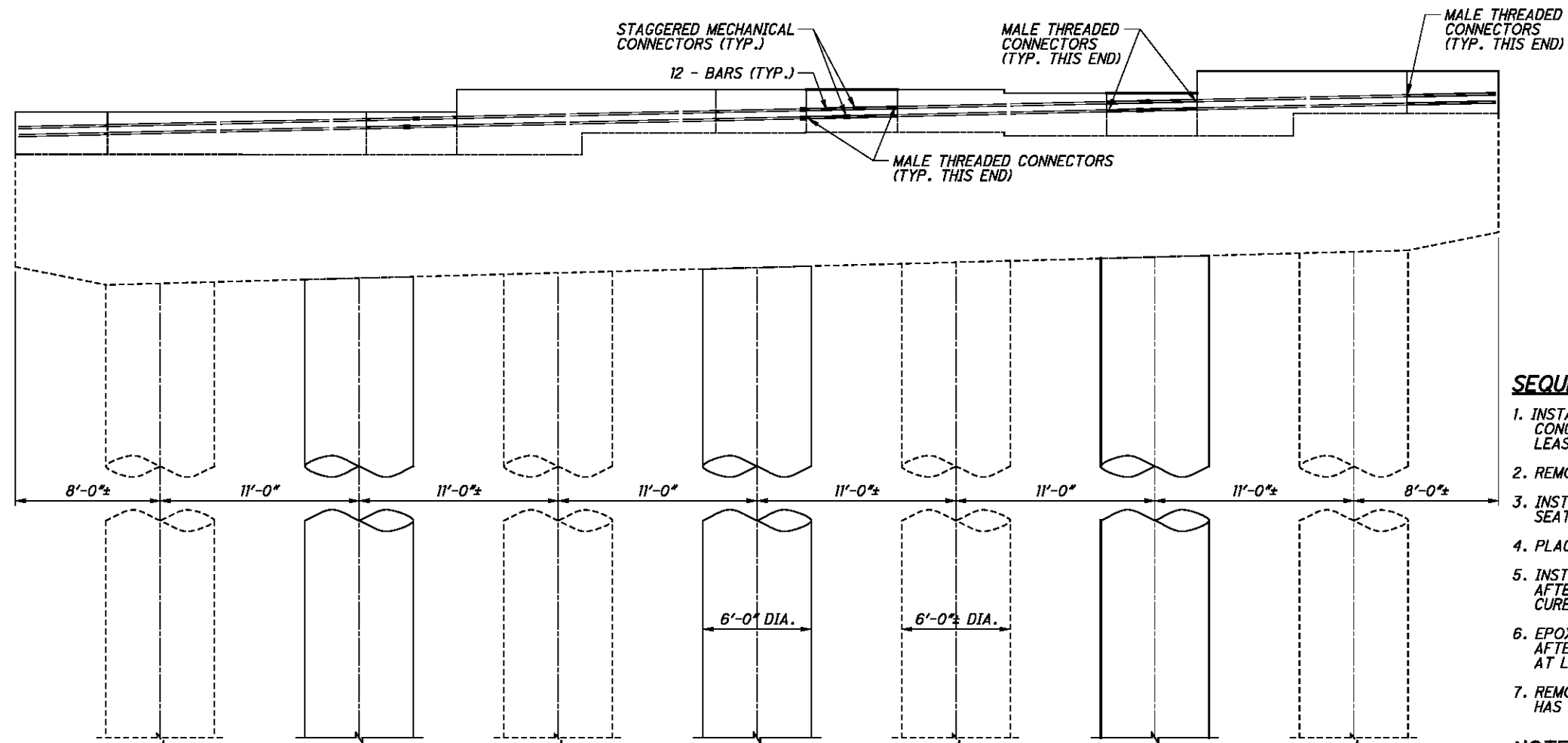


P:\PR51084\moh\24073\structures\MAH062_1825C\sheets\062_1825CPI011.dgn 4/26/2012 10:57:13 AM speck



JACKING POINT



SEQUENCE OF OPERATIONS

1. INSTALL JACKS & TEMPORARY SUPPORTS AFTER CONCRETE CAP EXTENSIONS HAVE CURED AT LEAST 14 DAYS
2. REMOVE BEARINGS
3. INSTALL REINFORCING STEEL & FORM WORK FOR SEAT EXTENSIONS
4. PLACE CONCRETE SEAT EXTENSIONS
5. INSTALL NEW SEISMIC RESISTANT BEARINGS AFTER CONCRETE SEAT EXTENSIONS HAVE CURED AT LEAST 14 DAYS
6. EPOXY INJECT VERTICAL CONSTRUCTION JOINTS AFTER SEAT EXTENSIONS HAVE BEEN IN PLACE AT LEAST 30 DAYS
7. REMOVE TEMPORARY SUPPORTS AFTER EPOXY HAS FULLY CURED

NOTES:

STIRRUPS, DOWELS, SUPPLEMENTAL SEAT AND COLUMN REINFORCING STEEL NOT SHOWN

LEGEND:

DIA. = DIAMETER
TYP. = TYPICAL

DESIGN AGENCY
BURGESS & NIPLE
90 WEST BIRCH STREET PAINESVILLE, OHIO 44071

DESIGNED	AKS	CHECKED	JAA
DRAWN	AKS	REVISED	
REVIEWED	DWL	STRUCTURE FILE NUMBER	5008662
DATE	4-12		

PIERS 9 & 10 REHABILITATION PHASE 2B
BRIDGE NO. MAH-62-1825
USR-62 OVER THE MAHONING RIVER AND RAILROADS

MAH-62-18.23
PID No. 24073

B14