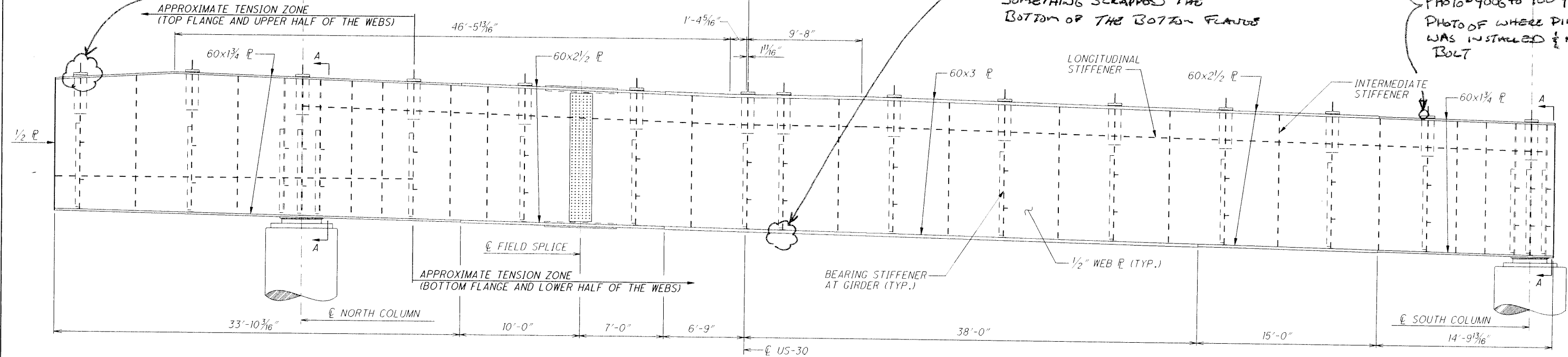


BOX GIRDER - PLAN

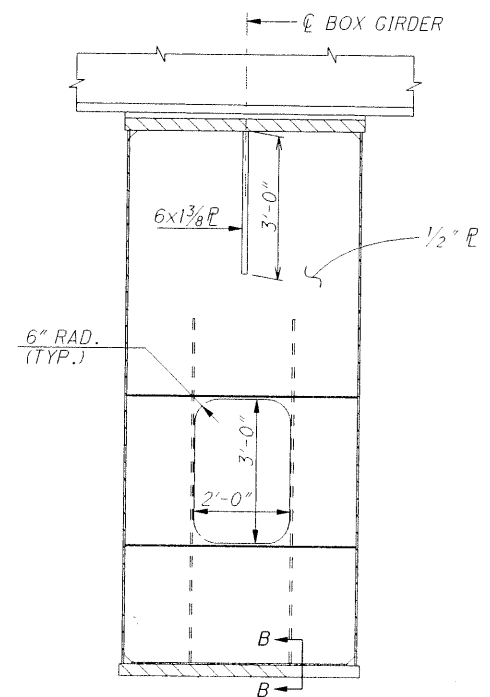
PHOTO # 5319, 5320 & 5321
GAP BETWEEN GIRDER A SHIM PLATE AND TOP FLANGE OF BOX GIRDER

PHOTO # 5325 - 5327
3 BOLTS MISSING WHERE SOMETHING SCRAPPED THE BOTTOM OF THE BOTTOM FLANGE

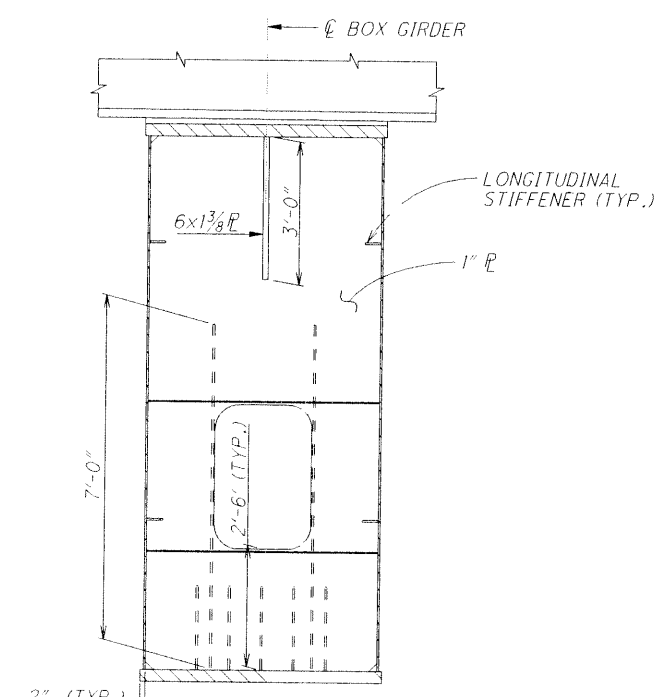
PHOTO # 4008 to 4009
PHOTO OF WHERE PIN WAS INSTALLED & NOT BOLT



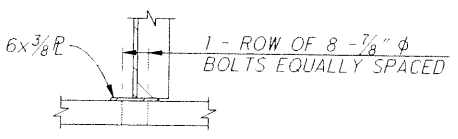
BOX GIRDER - ELEVATION



BEARING STIFFENER AT GIRDERS



**SECTION A - A
BEARING STIFFENER AT COLUMNS**



SECTION B - B