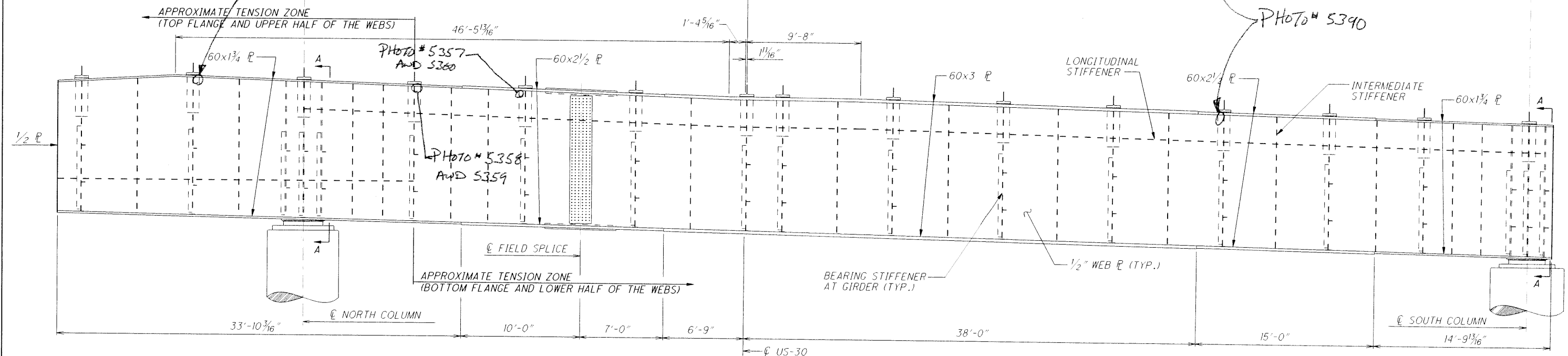
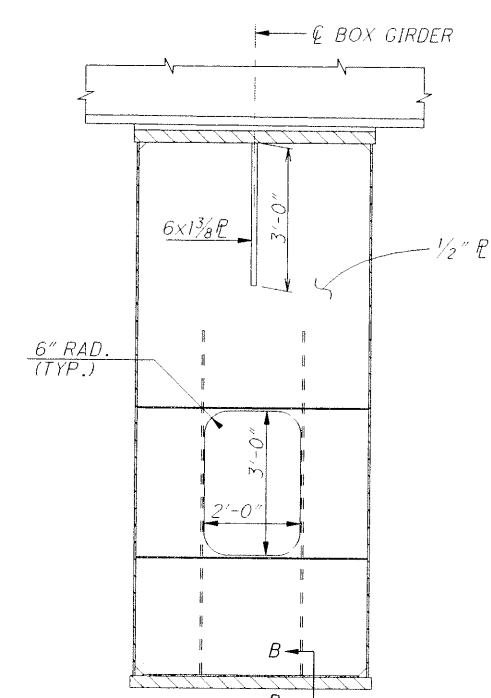


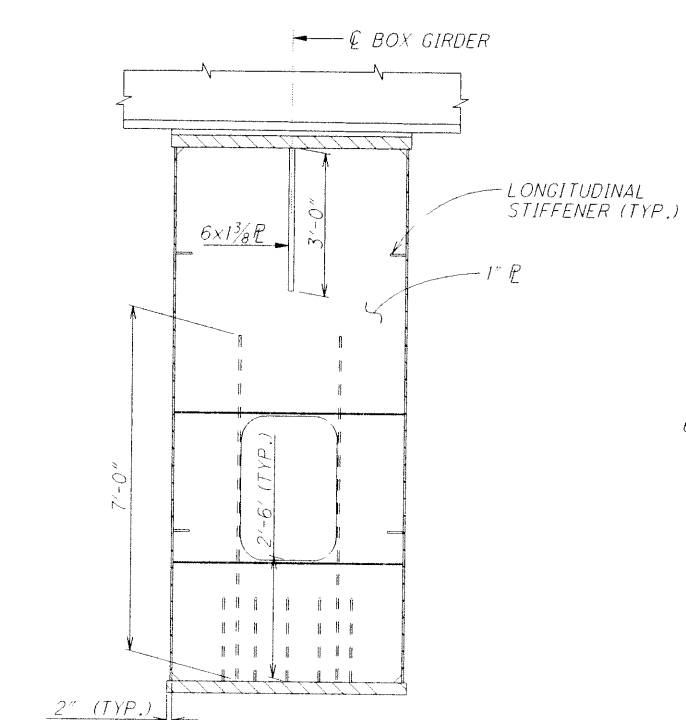
BOX GIRDER - PLAN



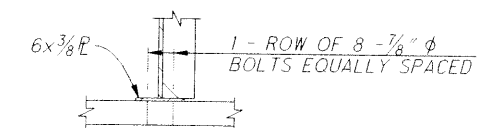
BOX GIRDER - ELEVATION



BEARING STIFFENER AT GIRDERS



**SECTION A - A
BEARING STIFFENER AT COLUMNS**



SECTION B - B