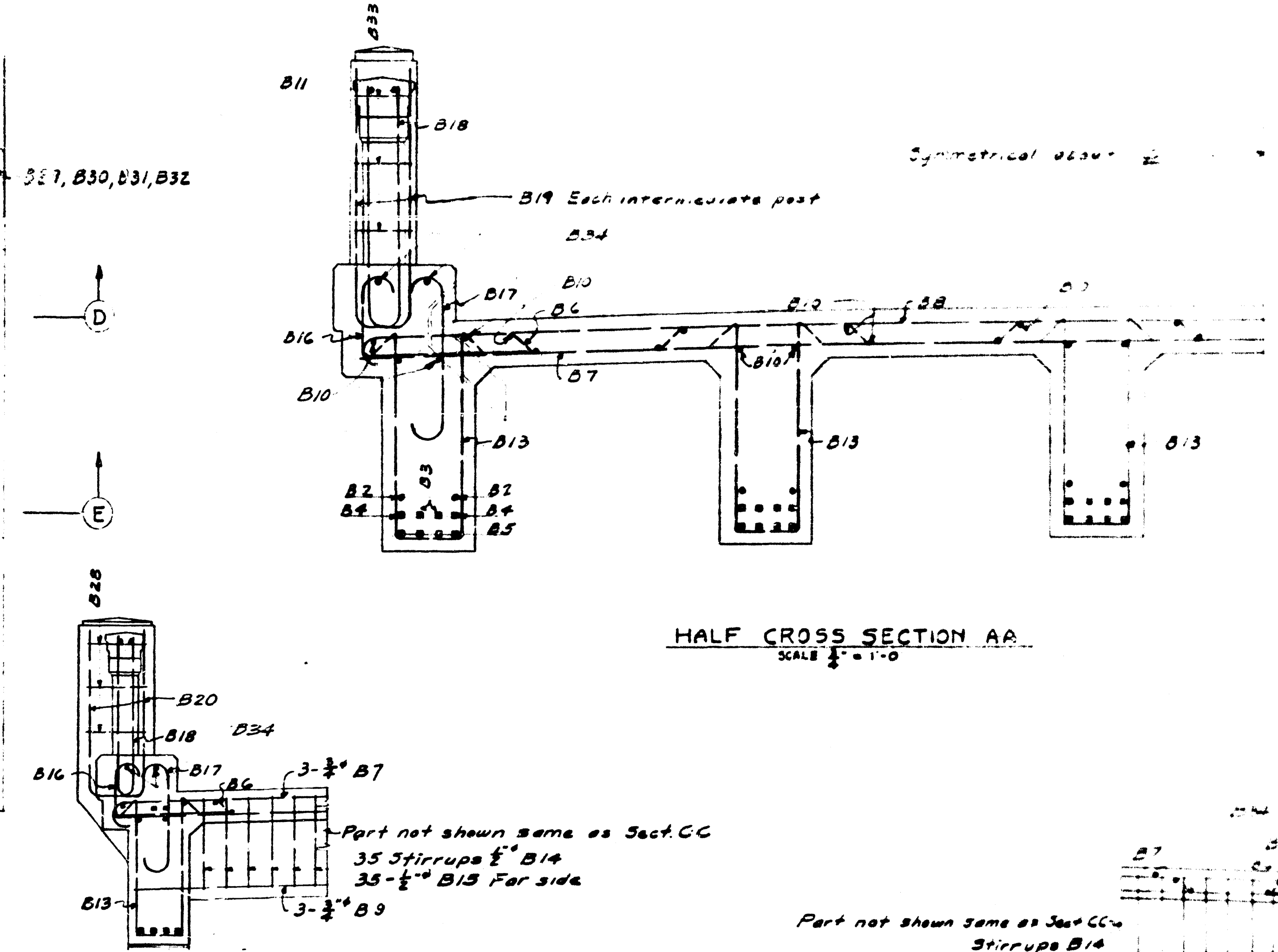
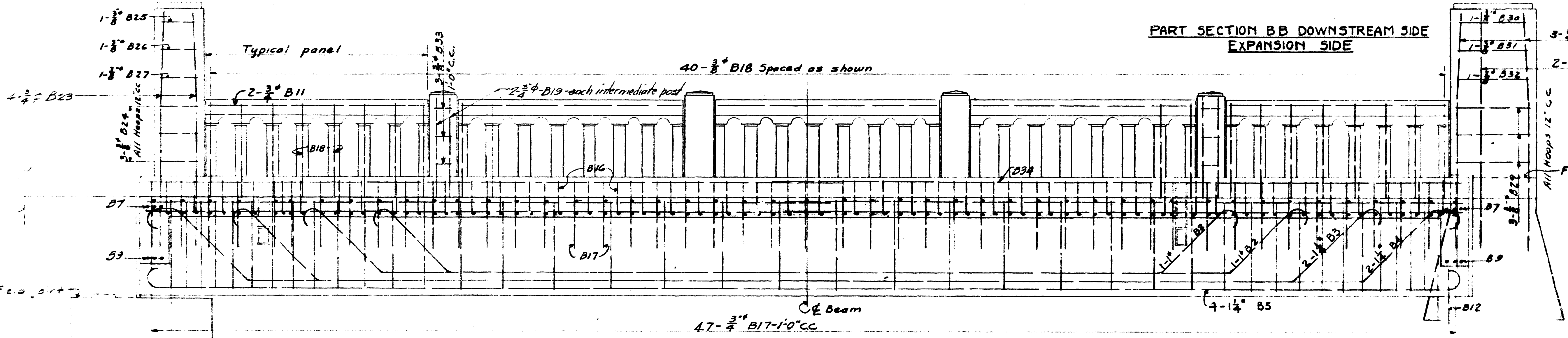


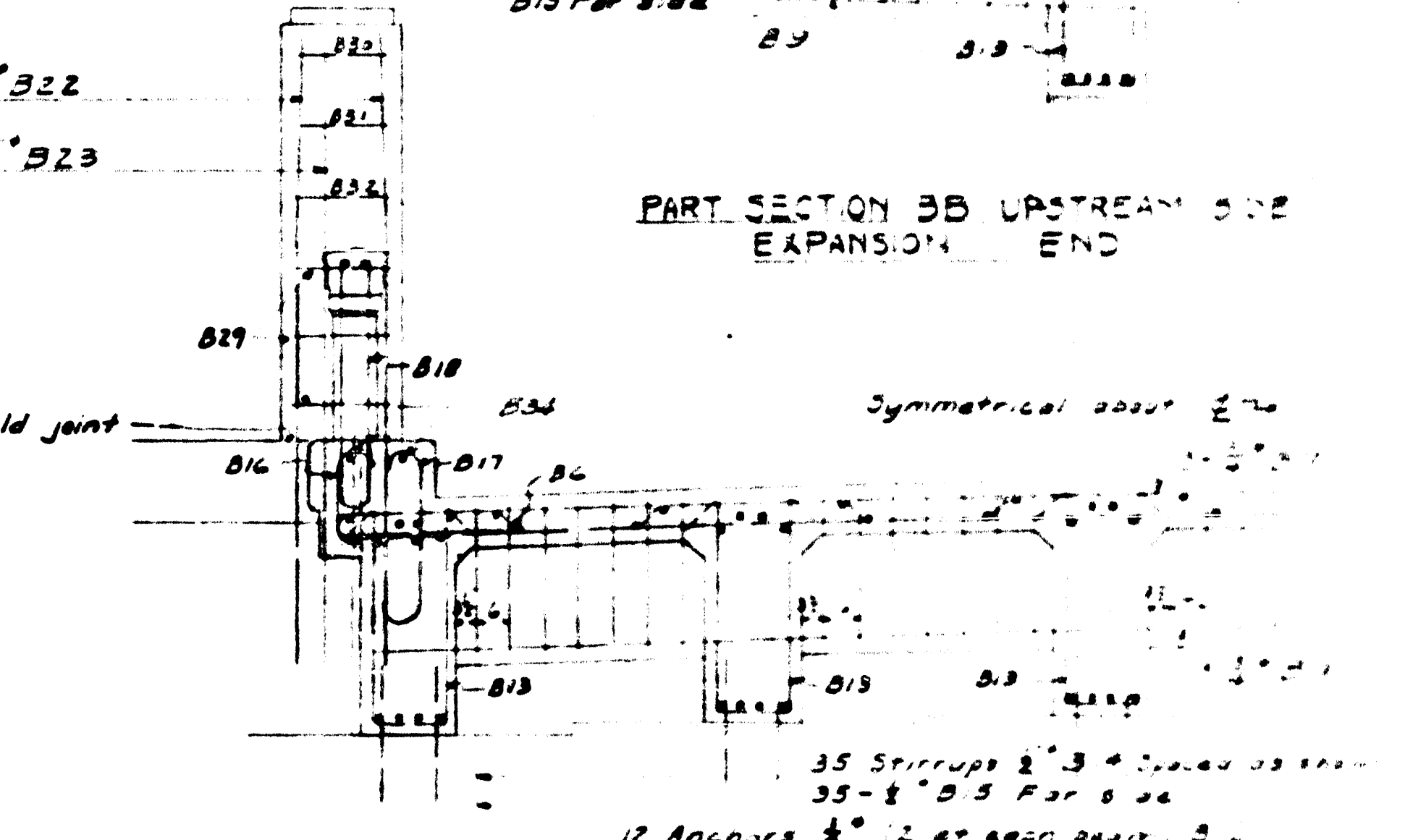
HALF PLAN OF SOUTH APPROACH SPAN  
NORTH APPROACH SPAN OPPOSITE HAND



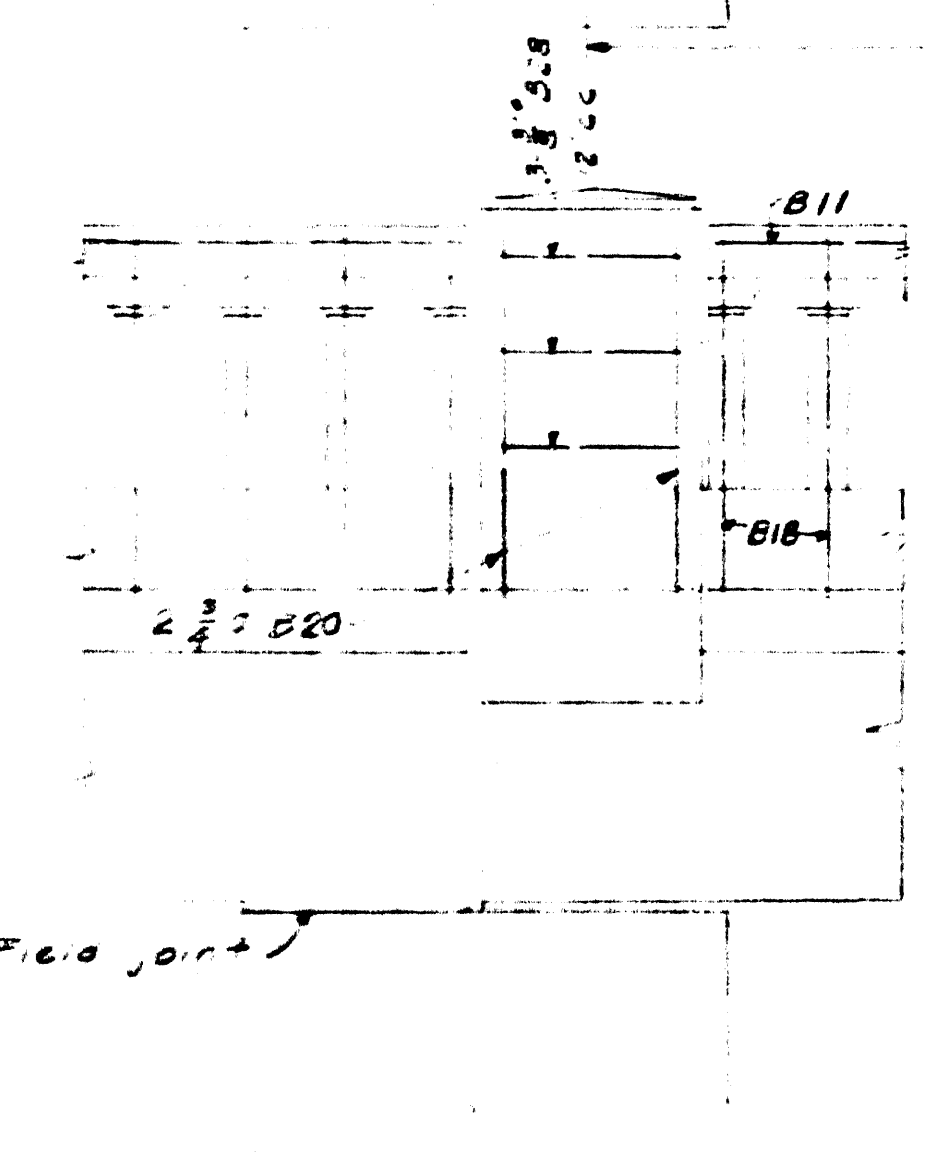
HALF CROSS SECTION AA  
SCALE 1/2\"/>



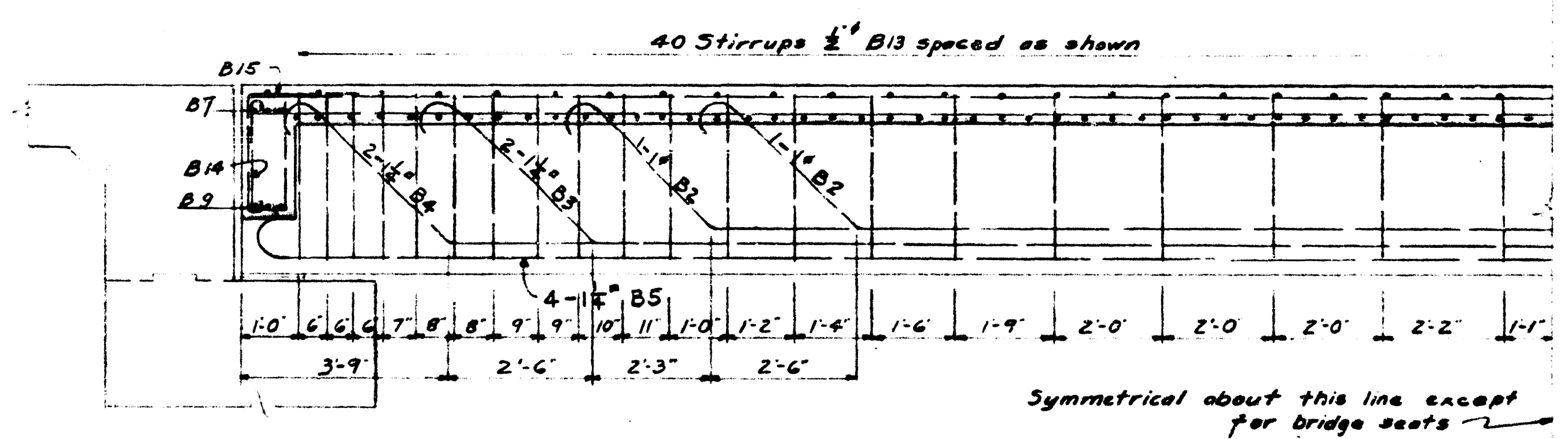
SECTION DD UPSTREAM BEAM, CURB AND RAILING  
DOWNSTREAM BEAM, CURB AND RAILING OPPOSITE HAND EXCEPT FOR END POSTS



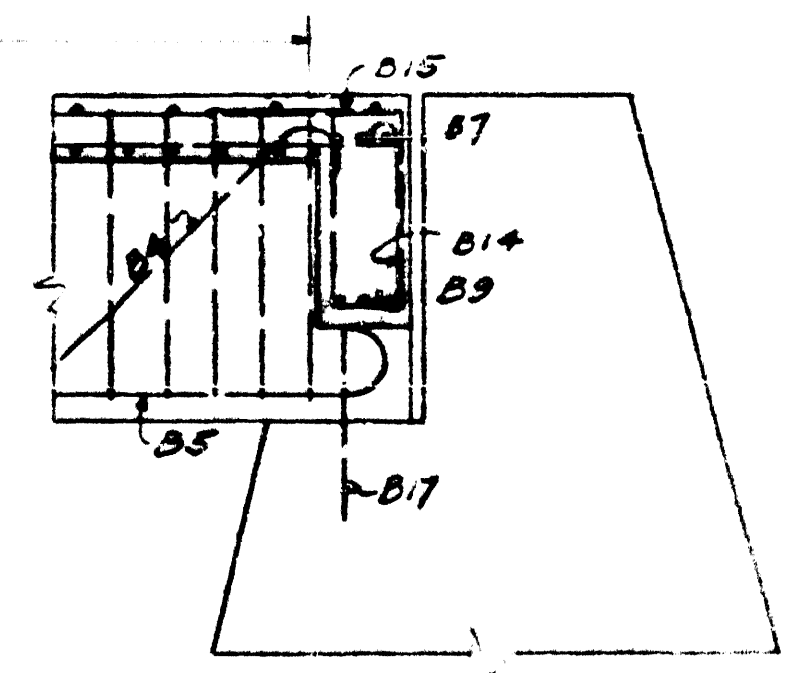
PART SECTION BB UPSTREAM SIDE  
EXPANSION END



DOWNSTREAM END POST  
EXPANSION END



SECTION EE TYPICAL INTERMEDIATE BEAM



WORK AS ACTUALLY CONSTRUCTED  
MUSKINGUM WATERSHED  
SENECAVILLE DAM  
SENECA FORK

SERVICE BRIDGE-REINFORCEMENT  
SHEET 64 W SCALE 2 1/2\"/>