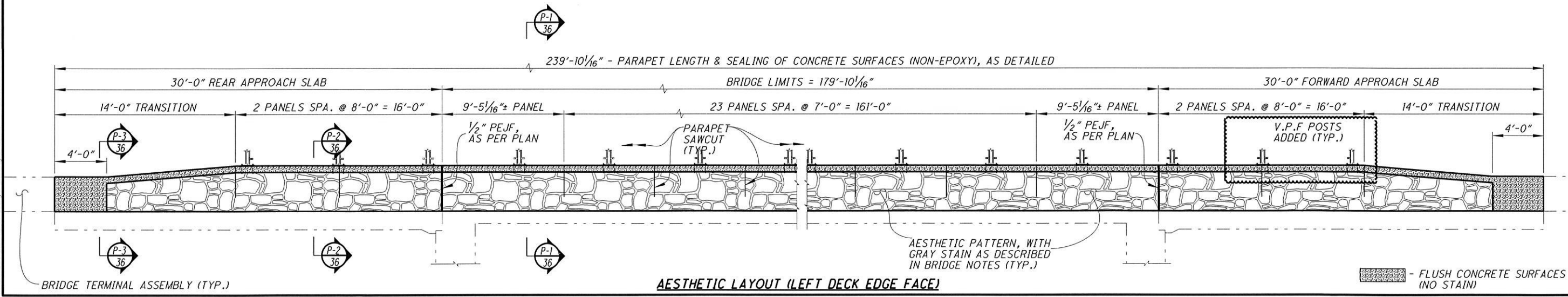
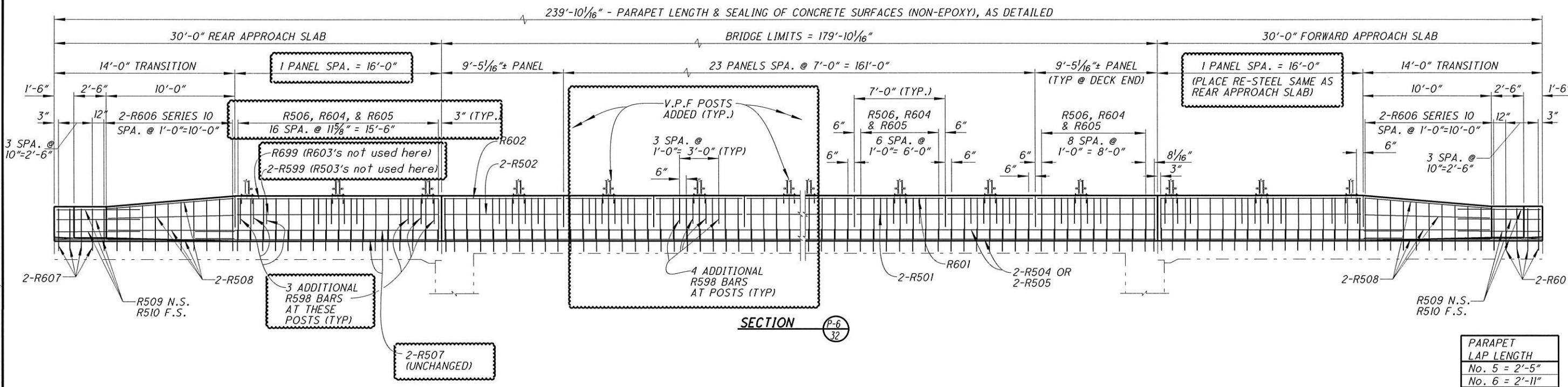
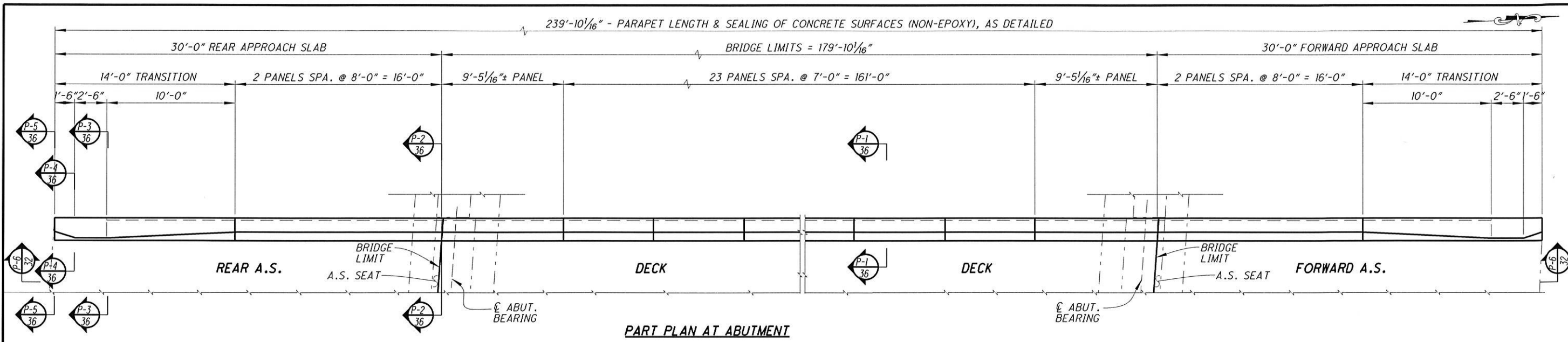


P:\LIC\80704\Design\bridge\SFN - Route Name\Plan Sheets\L80704_BPD_001.dgn (SCALE = 4.000)



DESIGN AGENCY: OHIO DEPARTMENT OF TRANSPORTATION, DISTRICT 5

DATE: 3-1-2015

TAG: 3-1-2015

STRUCTURE FILE NUMBER: 4500830

DESIGNED: JDR

CHECKED: CPS

DRAWN: JDR

REVISED:

LEFT PARAPET DETAILS - 1/27/2016 MODIFICATION

BRIDGE NO. LIC-16-1718

CHERRY VALLEY ROAD OVER S.R. 16

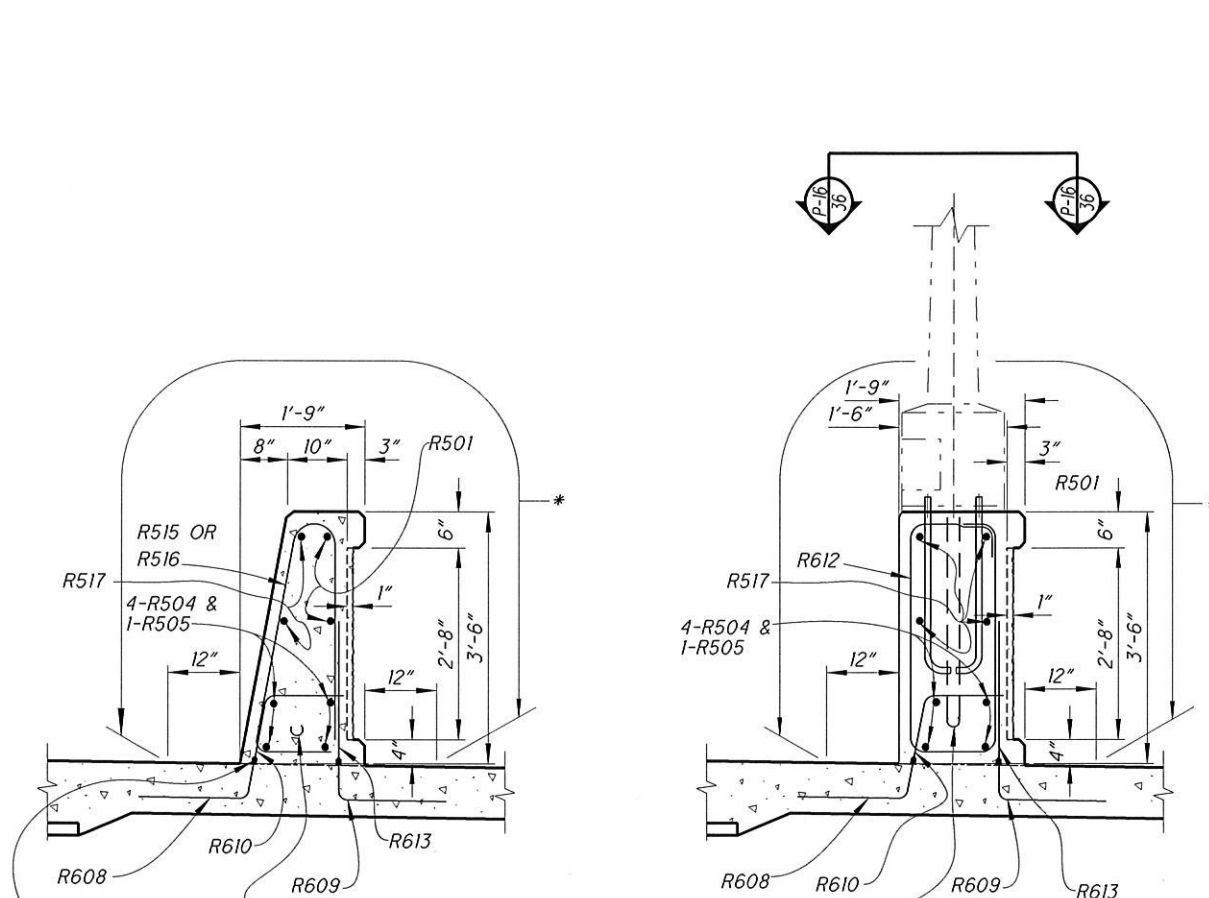
LIC-16-16.64

32 / 56

664

729

P:\LIC\80704\Design\Bridges\SFN - Route Name\Plan Sheets\L80704_BPD_002.dgn (SCALE = 1:333)

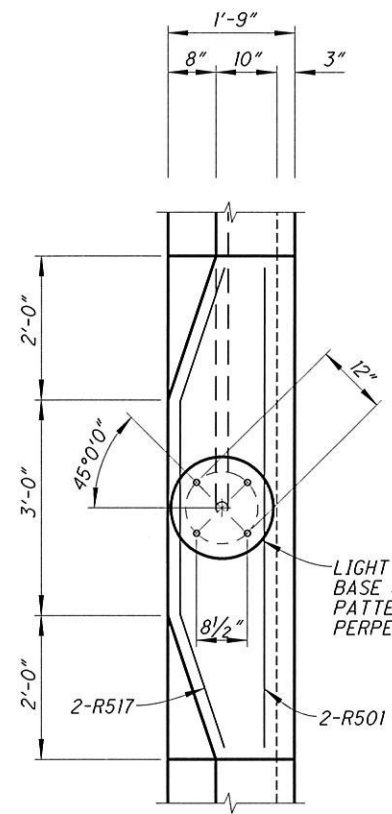


SECTION P-14
33

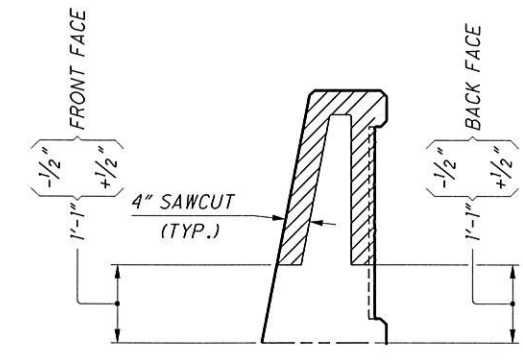
SECTION P-15
33

ITEM 625 - CONDUIT, 3" 725.04, SEE LIGHTING PLANS FOR ITEM AND QUANTITIES

AESTHETIC PATTERN WITH GRAY STAIN AS DESCRIBED IN NOTE ON THIS SHEET (TYP.)



VIEW P-16
36

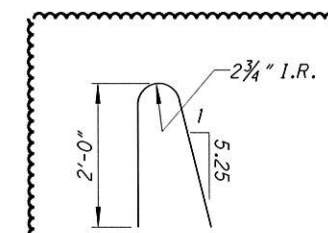


DETAIL A
SECTION THROUGH SAWCUT
SAWCUT PERIMETER = 6'-2"

LEGEND

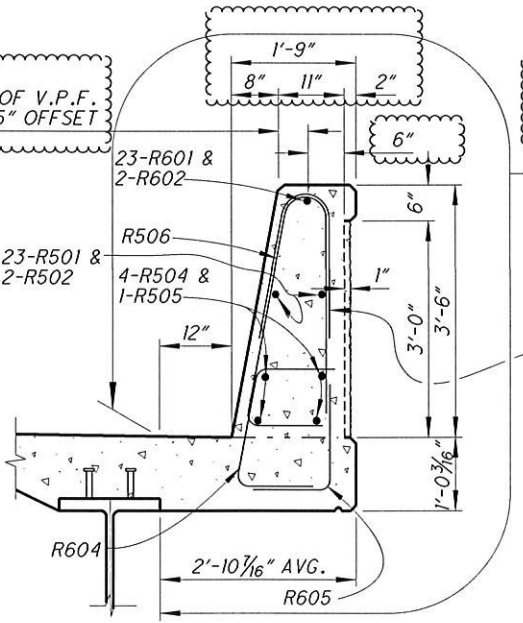
* ITEM 512 - SEALING OF CONCRETE SURFACES (NON-EPOXY) = CLEAR COATING.

PARAPET LAP LENGTH
No. 5 = 2'-5"
No. 6 = 2'-11"

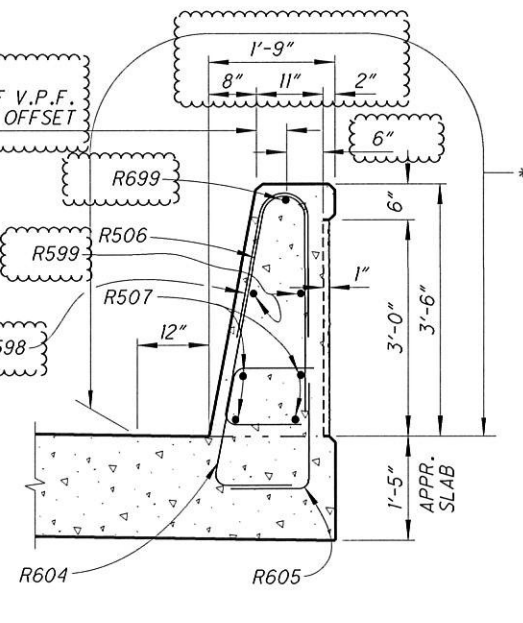


TOTAL NUMBER REQ'D..... 120 EACH
LENGTH..... 4'-6"
TOTAL WEIGHT..... 563 LBS

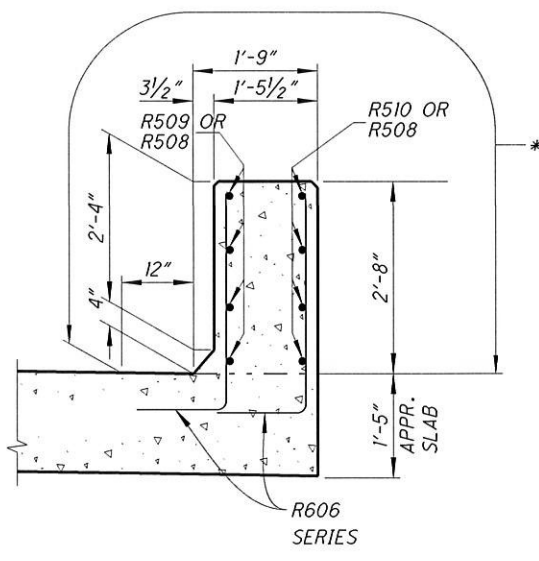
ADDITIONAL R598 BENT BARS



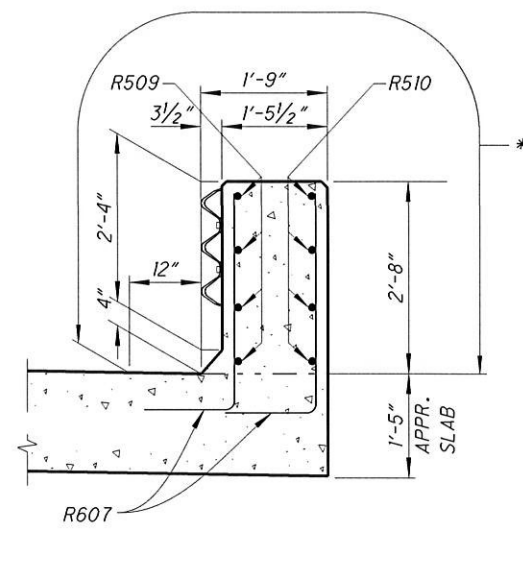
SECTION P-1
32



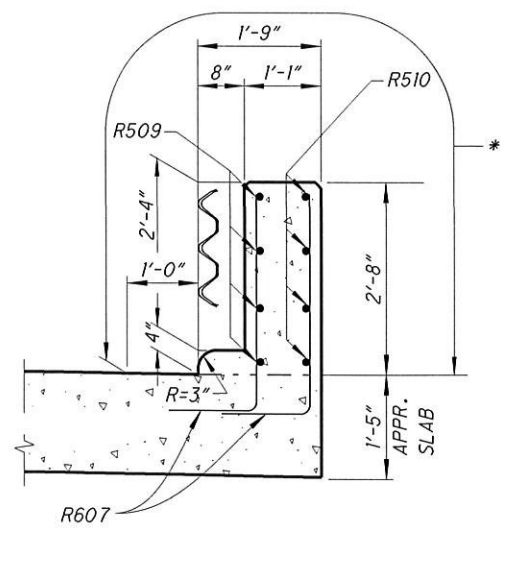
SECTION P-2
32



SECTION P-3
32



SECTION P-4
32

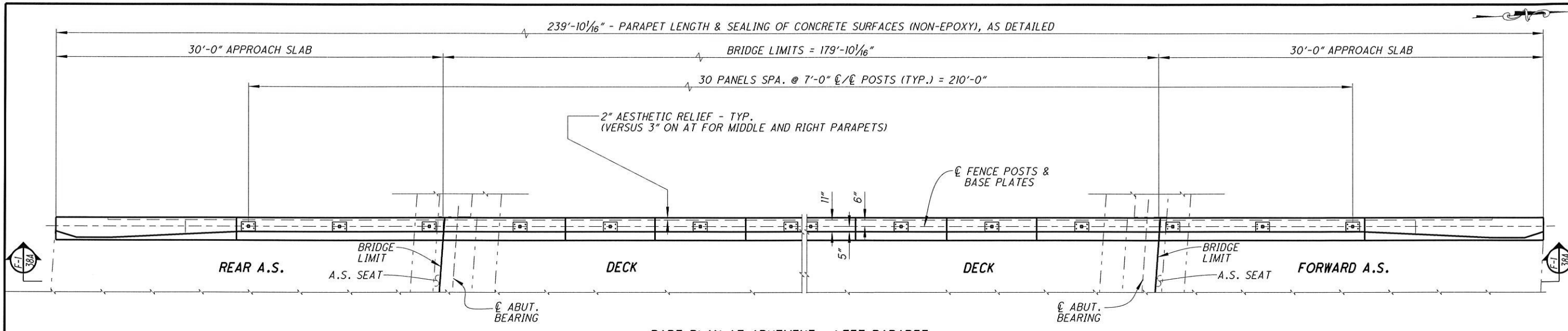


SECTION P-5
32

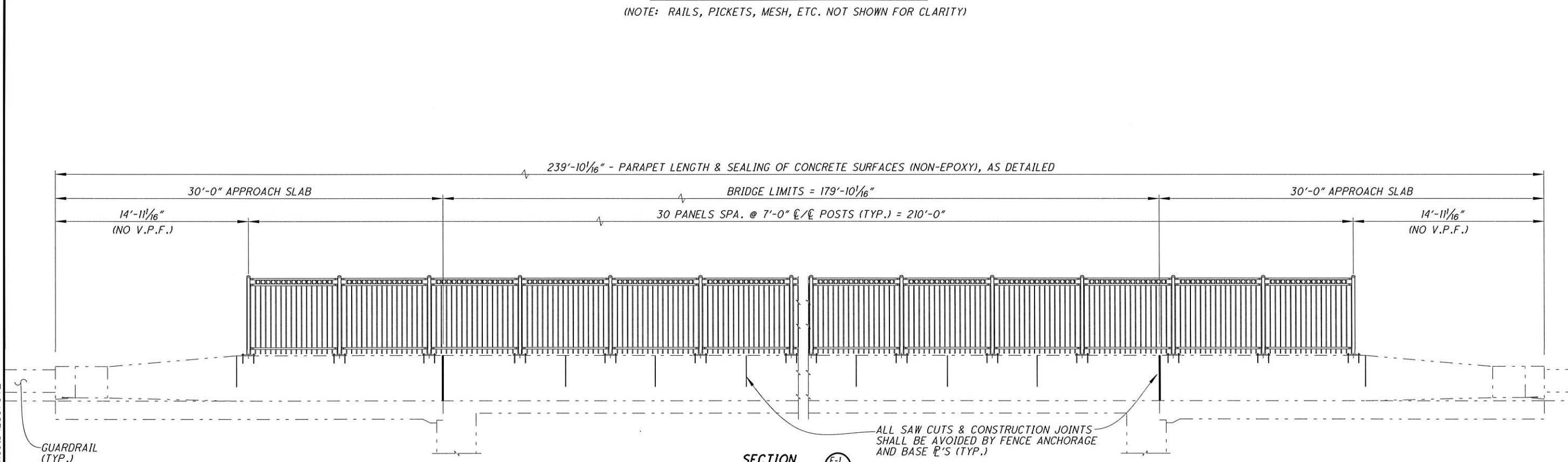
NOTE:

- ALL REINFORCING STEEL TO BE EPOXY COATED.
- FIELD BEND BARS WHERE NECESSARY
- FOR ADDITIONAL DETAILS SEE STD. DWG. SBR-1-13
- USE OF (GFRP) REINFORCEMENT, AS DETAILED IN STD. DWG SBR-1-13, IS NOT NECESSARY FOR TRADITIONALLY FORMED PARAPETS, AS SHOWN IN THIS PLAN.

P:\LIC\80704\Design\bridge\SFN - Route Name\Plan Sheets\L80704-



PART PLAN AT ABUTMENT - LEFT PARAPET
 (NOTE: RAILS, PICKETS, MESH, ETC. NOT SHOWN FOR CLARITY)



VANDAL PROTECTION FENCE LAYOUT (LEFT DECK EDGE PARAPET ONLY)
 (NOTE: EXPANDED METAL MESH NOT SHOWN FOR CLARITY)

DESIGN AGENCY	OHIO DEPARTMENT OF TRANSPORTATION, DISTRICT 5
DATE	3-1-2015
REVIEWED TAG	JDR
STRUCTURE FILE NUMBER	4500830
DRAWN	JDR
CHECKED	JDR
DESIGNED	JDR
FILE NUMBER	CPS
VANDAL PROTECT. FENCE - 1/27/2016 MODIFICATION	
BRIDGE NO. LIC-16-1718	
CHERRY VALLEY ROAD OVER S.R. 16	
LIC-16-16.64	
38A	56
670A	729