

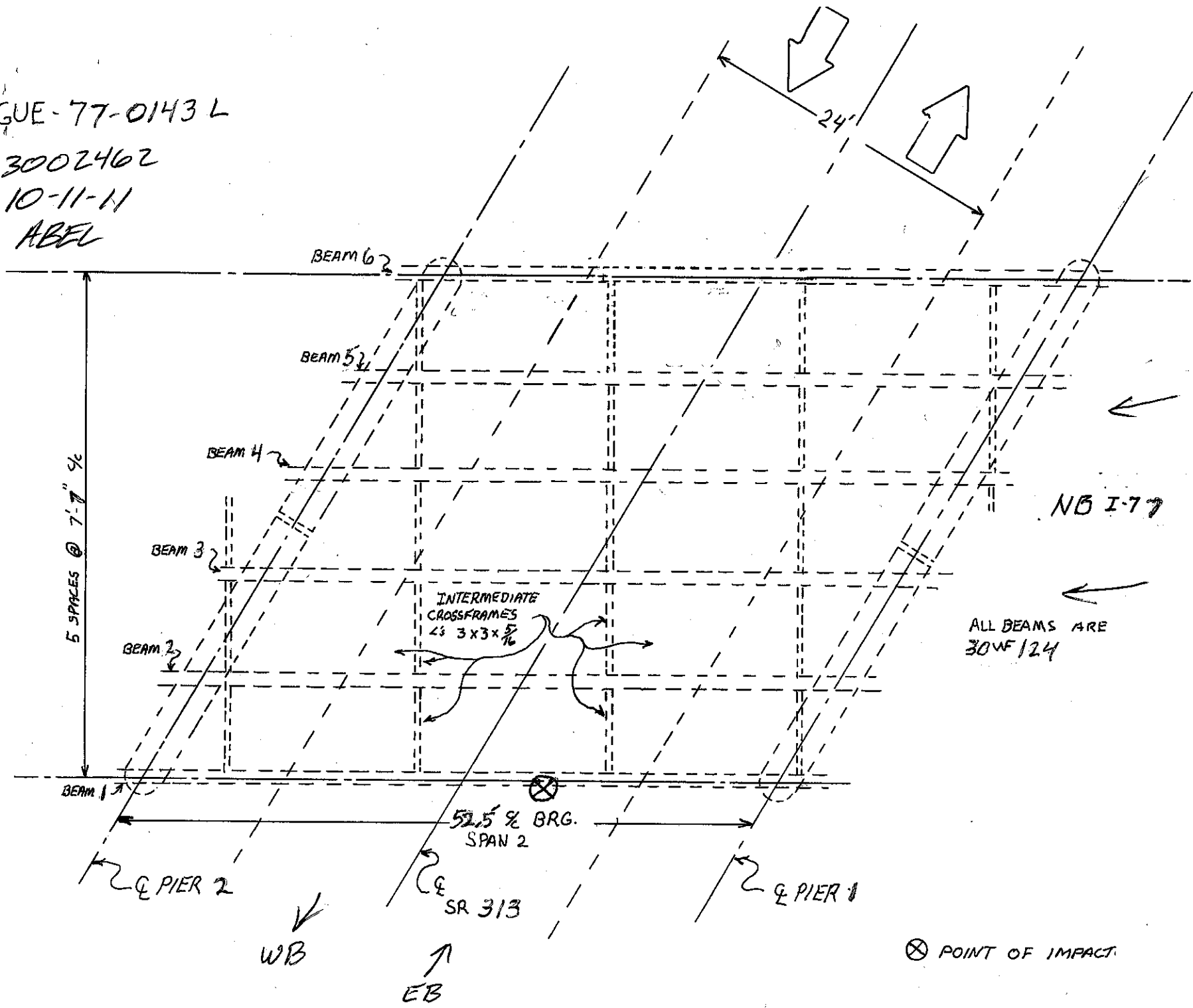
GUE-77-0143 L

3002462

10-11-11

ABEL

1/2



5 SPACES @ 7'-7 1/4"

BEAM 6

BEAM 5

BEAM 4

BEAM 3

BEAM 2

BEAM 1

INTERMEDIATE
CROSSFRAMES
3x3x3/8

NB I-77

ALL BEAMS ARE
30WF124

52'-5 1/2" BRG.
SPAN 2

PIER 2

WB

SR 313

EB

PIER 1

⊗ POINT OF IMPACT

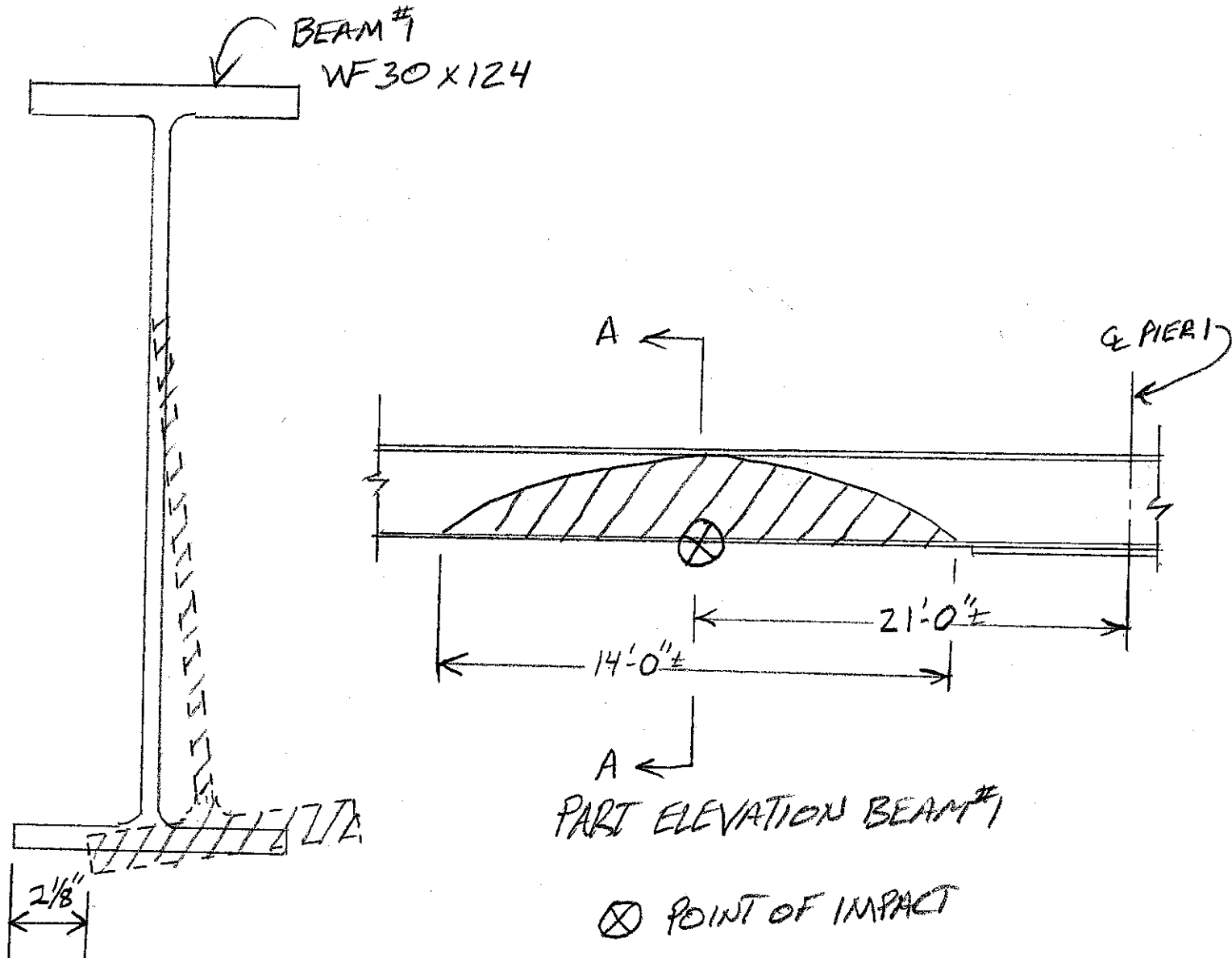
GVE-77-0143 L

3002462

10-11-11

ABEL

2/2



PART ELEVATION BEAM #1

⊗ POINT OF IMPACT

▨ DAMAGED AREA