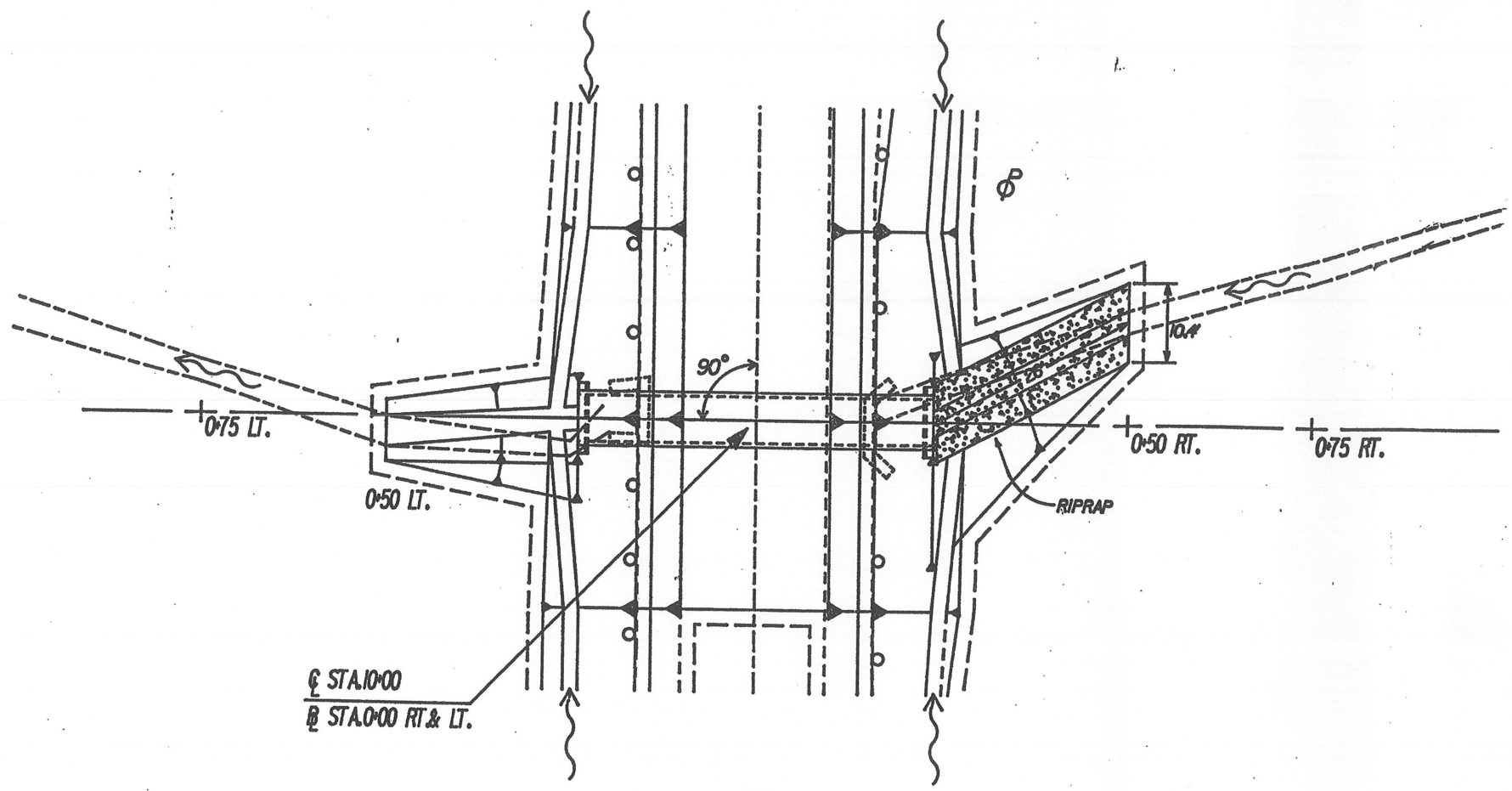


GED BY: BT DATE: 11-22-88 GED BY: DATE:	LIC-62-0.00	OHIO REGION 5 12 37
--	-------------	------------------------------

PLAN NO 119

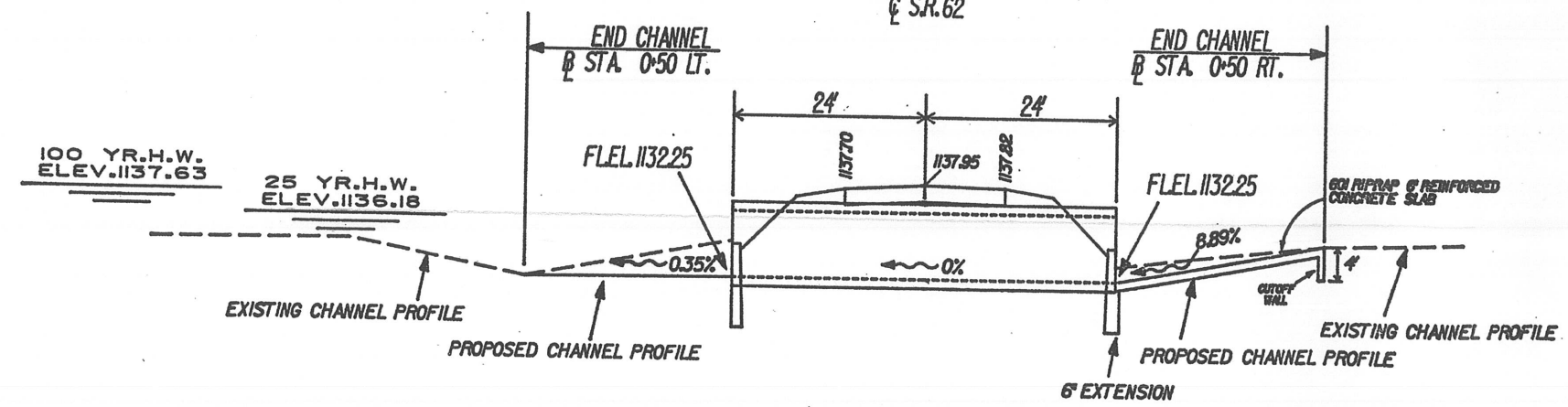
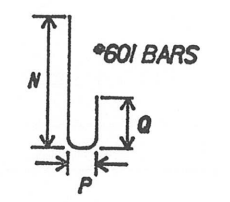


NOTE: THE REQUIREMENTS FOR ITEM 509 SHALL GOVERN THE FURNISHING AND INSTALLATION OF THE REINFORCING STEEL COST SHALL BE INCLUDED IN THE PRICE BID FOR ITEM 602 CONCRETE MASONRY.

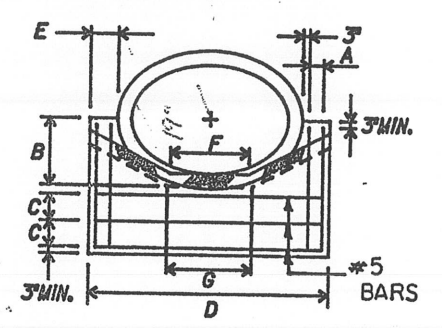
ITEM	QUANTITY	UNIT	DESCRIPTION
603*	48	LIN.FT.	48"x76" CONDUIT, TYPE A, 706.04 CLASS HE-II
602*	32	CUYD.	CONCRETE MASONRY
601#	29	SQYD.	RIPRAP USING 6" REINFORCED CONCRETE SLAB

*CARRIED TO SHEET 8 #CARRIED TO SHEET 9

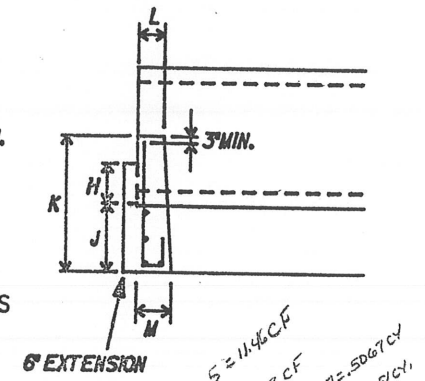
A = 0.5'	F = 3'	L = 10'
B = 2.5'	G = 32"	M = 13.3'
C = 10'	H = 1.5'	N = 3.5'
D = 9.0'	J = 2.5'	P = 0.75'
E = 1.4'	K = 5'	Q = 10'



LONGITUDINAL SECTION



HW-4B HEADWALL AS PER PLAN (NO SCALE)



6' EXTENSION
 $2.5 \times 9.17 \times .5 = 11.46 \text{ CF}$
 $1.5 \times 2.965 \times .5 = 2.22 \text{ CF}$
 $13.68 \div 27 = .5067 \text{ CY}$
 USE .51 CY.

602 CONCRETE MASONRY

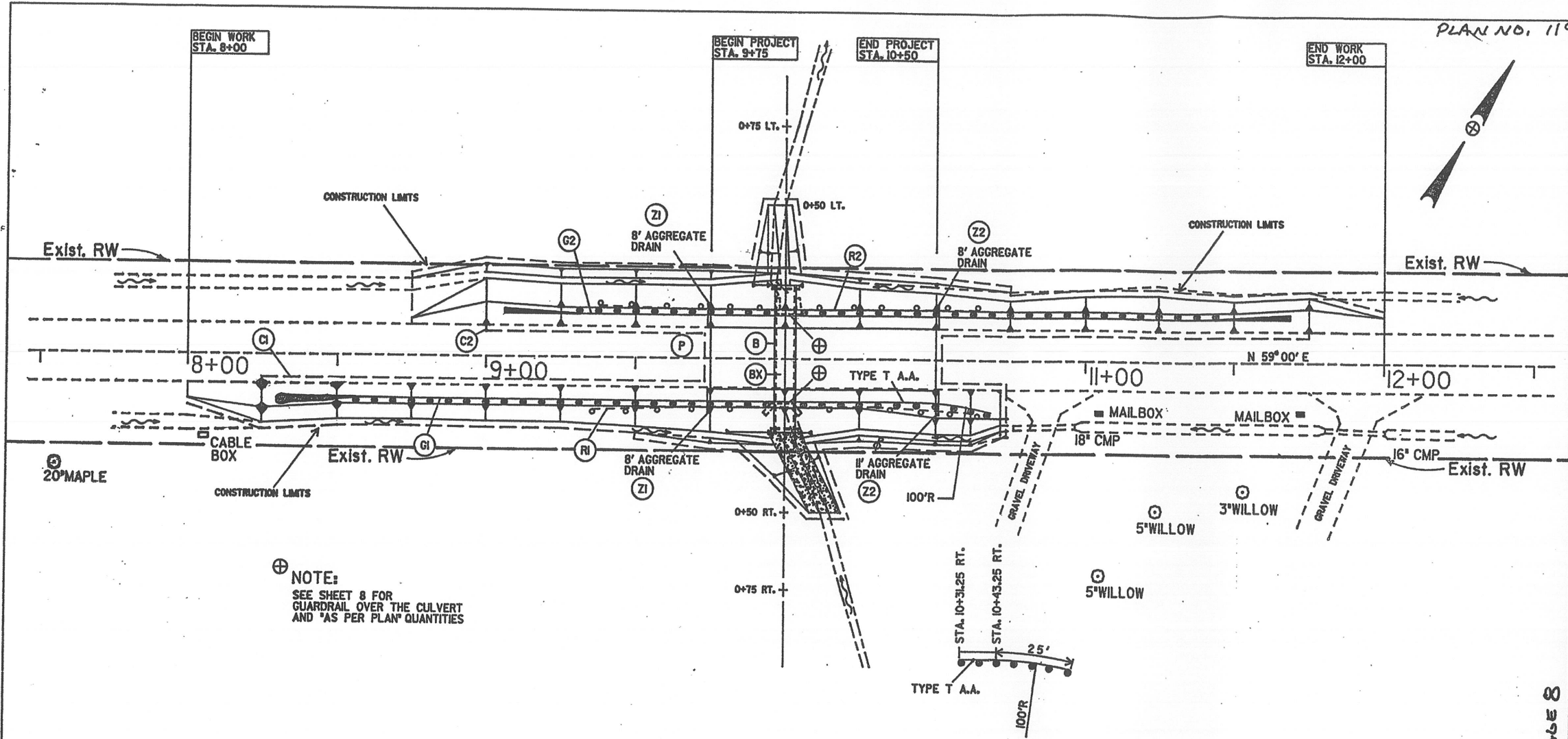
(SEE STD. DWG. HW-4B): 1.34 CUYD/ HEADWALL, WITHOUT 6' EXT.
 6' EXTENSION: $[(11.5' \times 2.97' \times 19.17' \times 2.5')] \times 0.5 / 27 = 0.51 \text{ CUYD.}$
 TOTAL BOTH HEADWALLS: $(1.34 \times 2) + 0.51 = 3.2 \text{ CUYD.}$

601 RIPRAP USING 6' REINFORCED CONCRETE SLAB

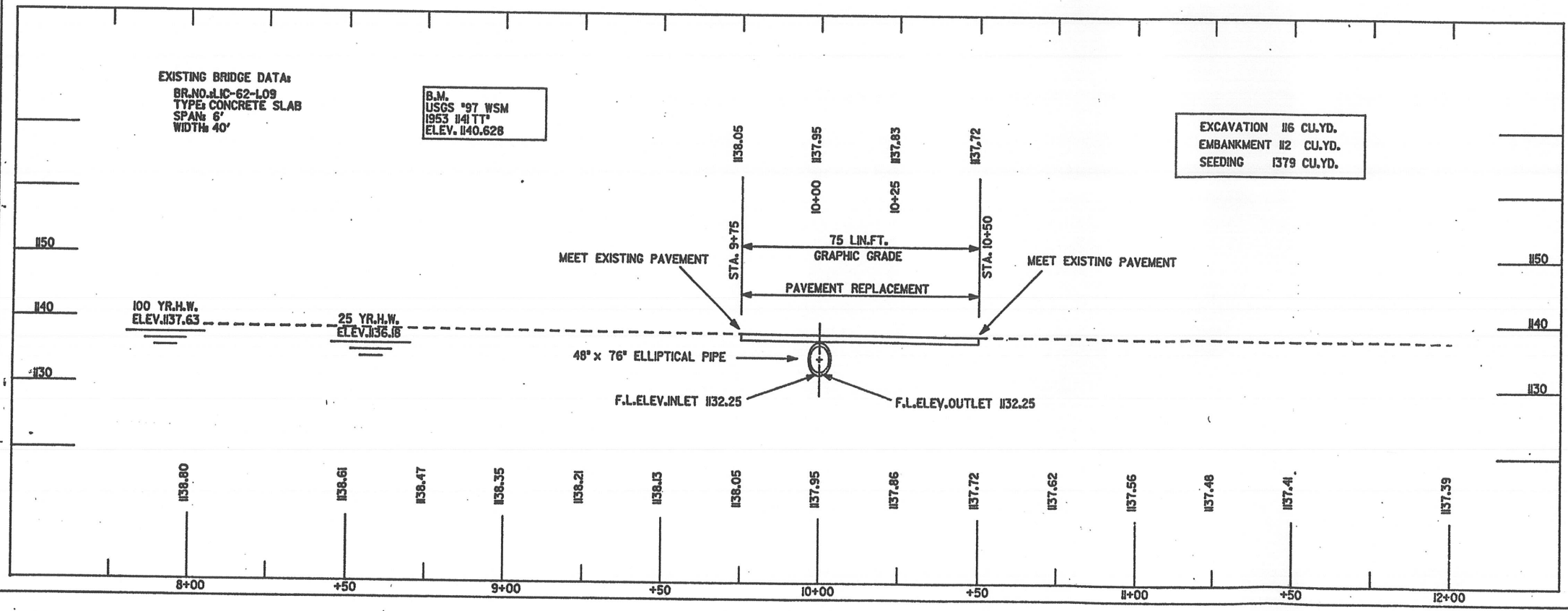
$9.88' \times 28' / 9 = 28.54 \text{ SQYD.}$
 TOTAL: 29 SQYD.

DRAINAGE AREA 238 AC.	$Q = 124 \text{ CFS}$	$Q = 178 \text{ CFS}$
STA. 10+00	48" x 76" ELLIPTICAL PIPE	LIC-62-109

REV 7-11 02
 CULVERT DETAIL

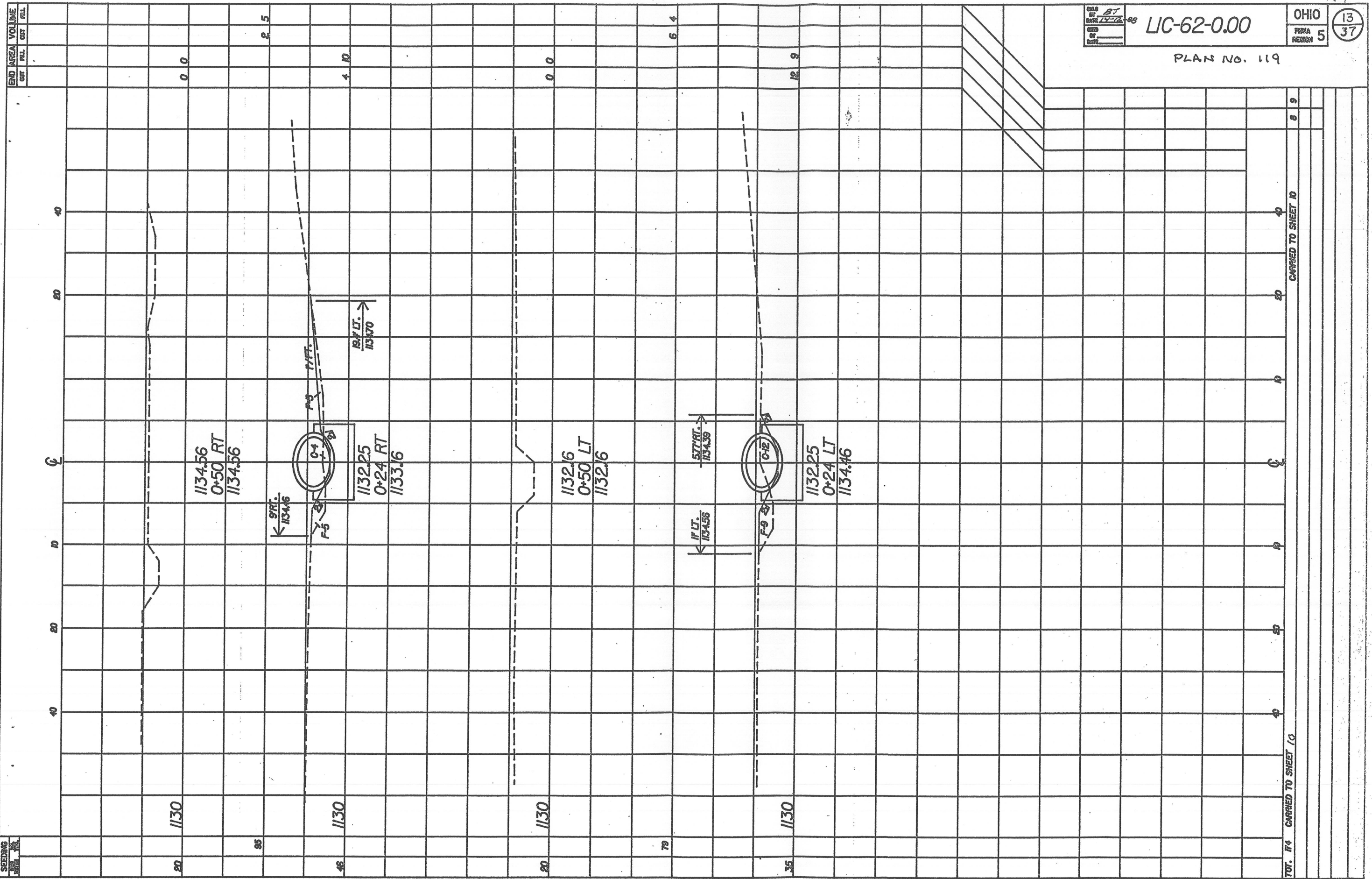


NOTE:
SEE SHEET 8 FOR
GUARDRAIL OVER THE CULVERT
AND 'AS PER PLAN' QUANTITIES



QUANTITIES CARRIED TO SUB SUMMARY - PAGE 8

REF. NO.	STATION TO STATION	SOE	205	305	203	203	203	304	602	603	606	202	606	606	301	605	605	606	606	SIT	
C1	8+25 TO 10+50	RT.																			
C2	9+00 TO 8+75	LT.																			
P	9+75 TO 10+50	CL.																			
G1	8+31.25 TO 10+68.75	RT.																			
G2	9+06.25 TO 10+68.75	LT.																			
R1	8+00 TO 10+65	RT.																			
R2	9+38 TO 10+64	LT.																			
B	10+00	L.T.ART.																			
BX	10+00	L.T.ART.																			
Z1	9+75	L.T.ART.																			
Z2	10+50	L.T.ART.																			
TOTALS			167	167	116	112	49	3.2	48	1379	1	256	362.5	3	19	35	25	25	25	25	25



CALC. BY
DATE
CHKD. BY
DATE

OHIO
FHWA
REGION 5

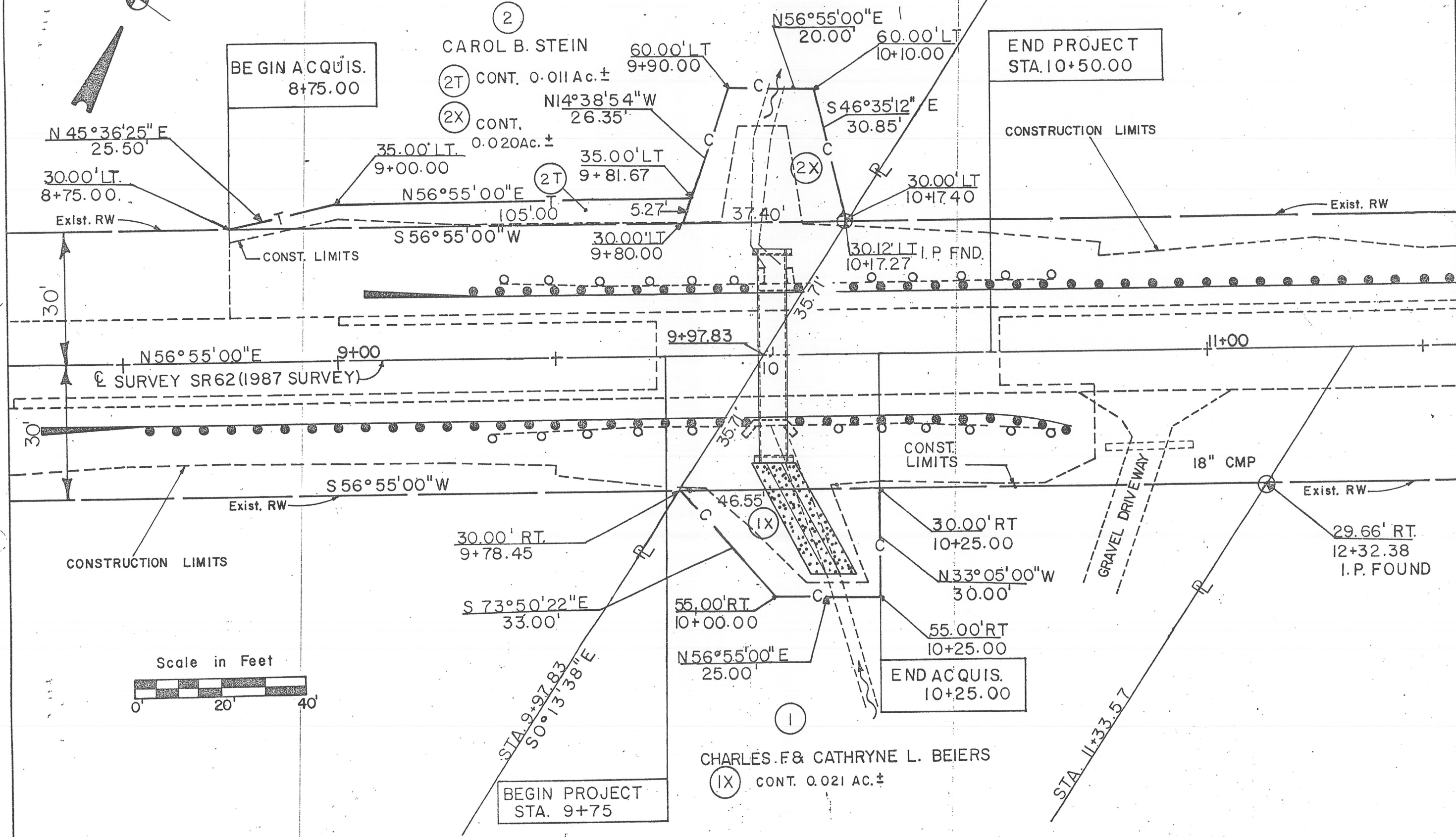
37
37

LICKING COUNTY MONROE TOWNSHIP

SECTION 25 TOWNSHIP 3 RANGE 15

RIGHT OF WAY PLAN
LIC-62-1.09
PLAN NO. 119

3
3



RIGHT OF WAY STA. 8+50 to 11+50